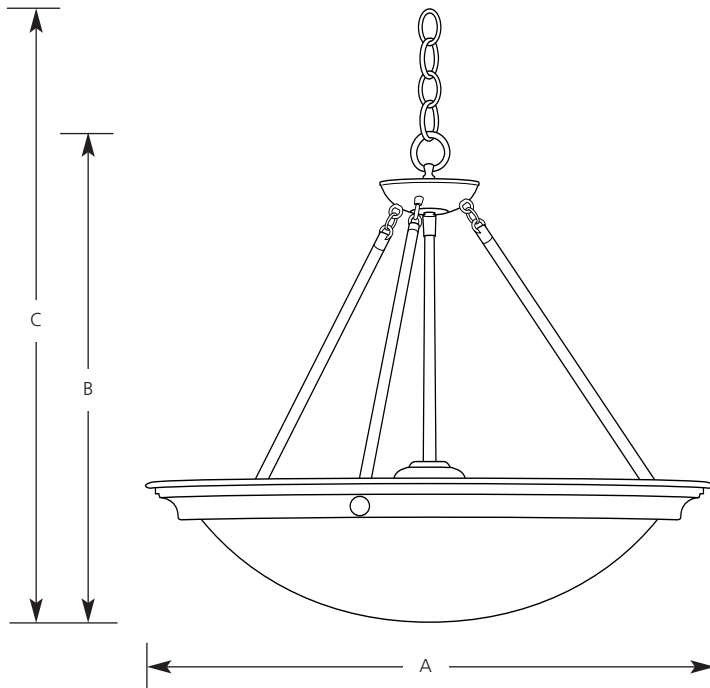


Type _____
 -10 -13
 P3575

Catalog No.	Finish		Lamping	Dimensions (Inches)		
	Polished Brass	Brushed Steel		A	B	C
P3575	-10	-13	4 (m) 100w	27-3/8	24	60



Specifications:

General

- Steel construction with Polished Brass (-10) or Brushed Steel (-13) finish
- Satin white glass
- 3 feet of 9 gauge chain
- Companion wall sconce, semi-flush and flush mount ceiling fixture

Electrical

- 15 feet of wire
- Ceramic medium based sockets
- Pre-wired

Labeling

- UL-CUL listed

Mounting

- Chain-hung ceiling
- Covers outlet box
- Mounting strap for outlet box included
- Canopy 5-1/2" dia.

P3571 AND P3575

ECLIPSE - SEMI-FLUSH AND CHAIN HUNG

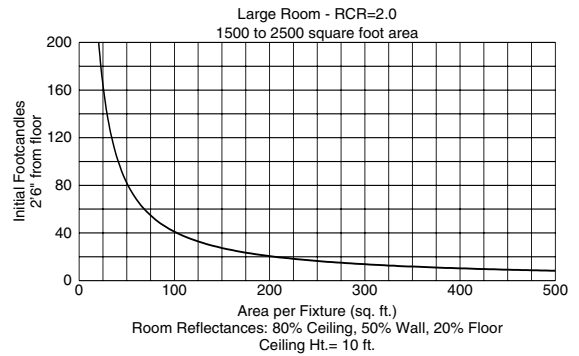
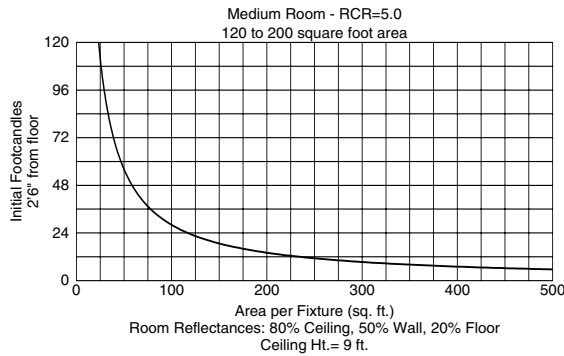
Report No. 97504

No. Lamps: 4 Type Lamp: 100A19-GE Total Lumens: 6840

Fixture Efficiency: 79.8%

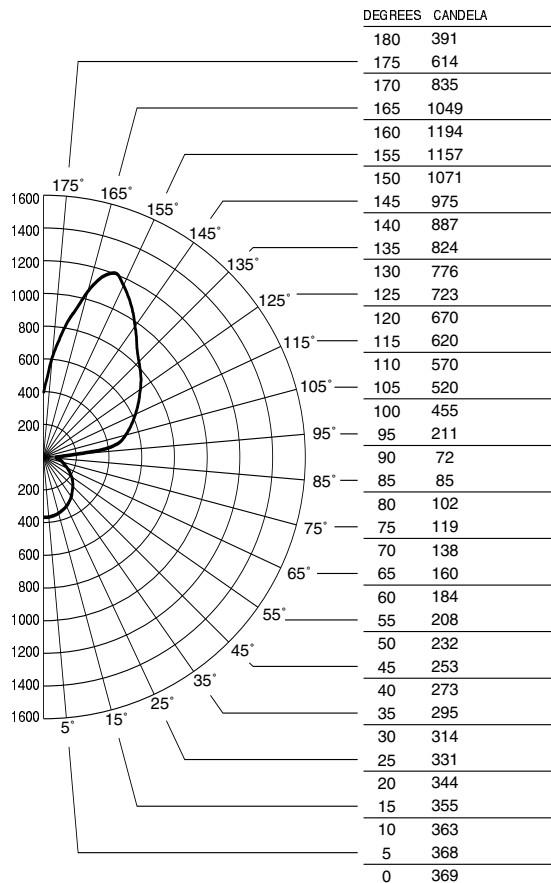
S/MH Ratio: 1.3

Quick Calculator Charts



DISTRIBUTION CURVE

INTENSITY DATA



Single Fixture Data

Ceiling Ht. (Ft.)	10% Values		Zero Degrees	50% Values	
	Beam Angle - 111°			Beam Angle - 65°	
	Ft.-C	Beam Dia.	Ft.-C	Ft.-C	Beam Dia.
8	1.2	16	12.2	6.1	7
10	0.7	22	6.6	3.3	9
12	0.4	28	4.1	2.0	12
14	0.3	34	2.8	1.4	15
16	0.2	40	2.0	1.0	17

Ft.-C (Footcandles) are initial and measured 2'-6" from floor

ZONAL CAVITY COEFFICIENTS OF UTILIZATION

Effective Floor Cavity Reflectance 0.20

RC	Effective Floor Cavity Reflectance 0.20																	
	80			70			50			30			10			0		
RW	70	50	30	10	70	50	30	10	50	30	10	50	30	10	50	30	10	0
0	80	80	80	80	71	71	71	71	54	54	54	39	39	39	25	25	25	18
1	73	69	66	63	64	61	59	56	47	45	43	33	32	31	21	20	20	14
2	66	60	55	51	58	53	49	46	41	38	35	29	27	26	18	17	16	11
3	60	52	47	42	53	47	42	38	36	32	29	25	23	21	16	15	14	9
4	55	46	40	35	48	41	36	32	31	28	25	22	20	18	14	13	12	8
5	50	41	35	30	44	36	31	27	28	24	21	20	17	15	13	11	10	7
6	46	37	30	26	40	33	27	23	25	21	18	18	15	13	11	10	9	6
7	42	33	27	22	37	29	24	20	23	19	16	16	14	12	10	9	8	5
8	39	30	24	20	35	26	21	18	20	17	14	15	12	10	9	8	7	5
9	36	27	21	17	32	24	19	16	19	15	12	13	11	9	9	7	6	4
10	34	24	19	15	30	22	17	14	17	13	11	12	10	8	8	7	5	4