



Compact Fluorescent

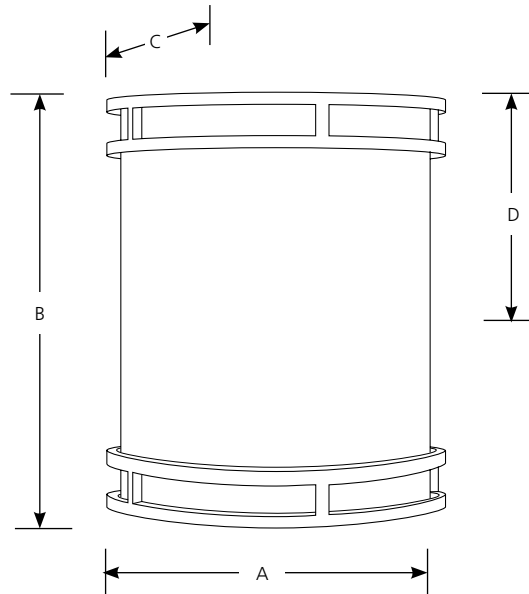
Banded White Acrylic

Sconce

Energy Star compliant

Type _____
 -09EBWB -174EBWB
 P7085

Catalog No.	Finish		Lamping	Socket	Dimensions (Inches)			
	Brushed Nickel	Urban Bronze			A	B	C	D
P7085	-09EBWB	-174EBWB	1-26w 4 pin Quad (Included)	G24q-3	9-3/8	10-5/8	3-7/8	5-1/2



Specifications:

General

- White Acrylic diffuser
- Translucent acrylic top and closed bottom
- Complies with " Americans with Disabilities Act" - ADA
- Plated brushed nickel (-09) or urban bronze (-174) trim
- Steel construction
- Energy Star Certified
- Complete with one 26 watt quad compact fluorescent lamp

Mounting

- Vertical wall mount
- Covers a standard recessed 4" octagonal outlet box
- Mounting strap for outlet box included

Electrical

- Pre-wired
- 120 volt NPF electronic ballast
- G24q-3 socket

Labeling

- UL-CUL listed for damp locations



Progress Lighting
 701 Millennium Blvd.
 Greenville, South Carolina
 29607

www.progresslighting.com

Rev. 06/13