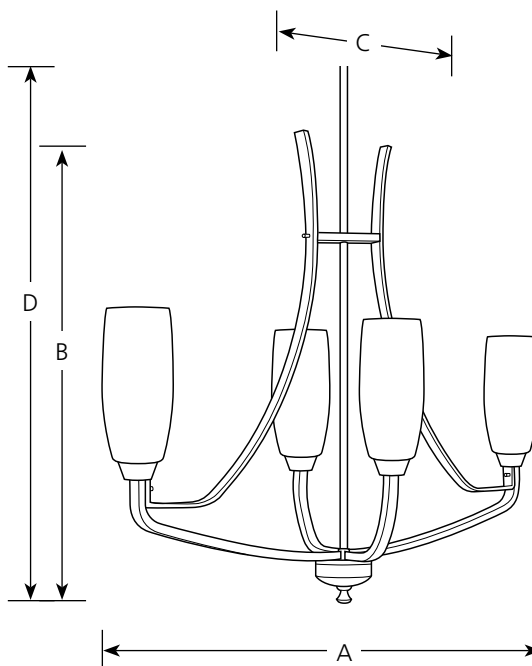


Type \_\_\_\_\_  
 -09 -20  
 P4435

Catalog No.	Finish		Lamping	Dimensions (Inches)			
	Brushed Nickel	Antique Bronze		A	B	C	D
P4435	-09	-20	4 (c) 60w	35	29	12-1/2	79



**Specifications:**

General

- Etched glass tulip shaped shades (4" dia., 8-1/8" ht., 1-5/8" center hole)
- Uplight style chandelier
- Strap style arms and accents
- Stem mounted with 2- 12" and 2- 15" matching stem sections supplied
- Brushed Nickel (-09) is plated
- Antique Bronze (-20) is hand painted
- Steel construction
- Companion chandelier, hall and foyer, wall bracket, close to 15 ceiling, pendant, and bath and vanity units
- Canopy 7-3/4" w x 4-1/2" ht.

Mounting

- Stem mounted
- Canopy covers a standard 4" hexagonal outlet box
- Stem has a swivel which can be used on sloped ceilings
- Mounting strap for outlet box included

Electrical

- Phenolic candelabra based sockets
- 10 feet of wire
- Pre-wired

Labeling

- UL-CUL listed



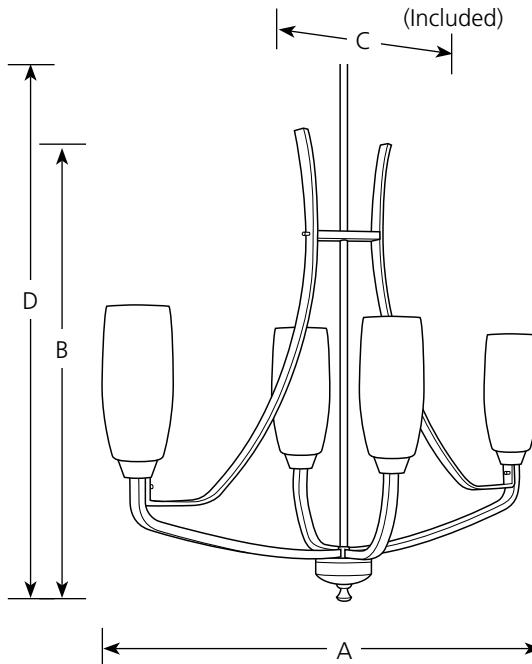
Compact Fluorescent

Westin CFL  
Energy Star

Chandelier & Foyer

Type \_\_\_\_\_  
-09EBWB -20EBWB  
P4435

Catalog No.	Finish		Lamping	Dimensions (Inches)			
	Brushed Nickel	Antique Bronze		A	B	C	D
P4435	-09EBWB	-20EBWB	4 13w CFL (Included)	35	29	12-1/2	79



**Specifications:**

General

- Etched glass tulip shaped shades (4" dia., 8-1/8" ht., 1-5/8" center hole)
- Compact Fluorescent self-ballasted lamps included
- Uplight style chandelier
- Strap style arms and accents
- Stem mounted with 2- 12" and 2- 15" matching stem sections supplied with concealed connectors
- Brushed Nickel (-09) is plated
- Antique Bronze (-20) is hand painted
- Steel construction
- Energy Star certified
- Companion chandelier, hall and foyer, wall bracket, close to ceiling, pendant, and bath and vanity units
- Canopy 7-3/4" w x 4-1/2" ht.

Mounting

- Stem mounted
- Canopy covers a standard 4" hexagonal outlet box
- Stem has a swivel which can be used on sloped ceilings
- Mounting strap for outlet box included

Electrical

- GU24 sockets
- 10 feet of wire
- Pre-wired

Labeling

-  US listed



Progress Lighting  
701 Millennium Blvd.  
Greenville, South Carolina  
29607

www.progresslighting.com