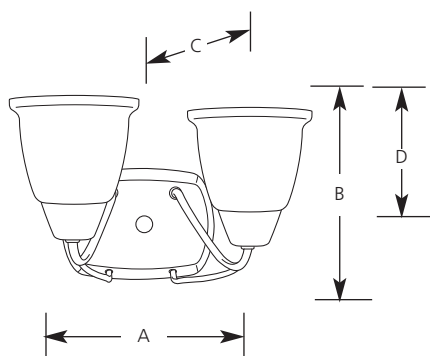


Type \_\_\_\_\_

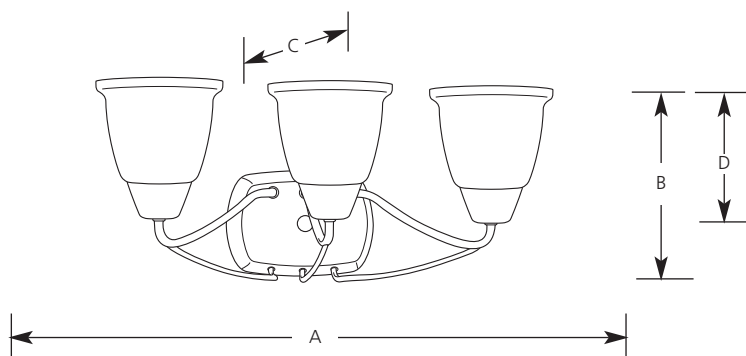
-09 -20

P2865	<input type="checkbox"/>	<input type="checkbox"/>
P2866	<input type="checkbox"/>	<input type="checkbox"/>
P2867	<input type="checkbox"/>	<input type="checkbox"/>

Catalog No.	Finish		Lamping	Dimensions (Inches)			
	Brushed Nickel	Antique Bronze		A	B	C	D
P2865	-09	-20	2(m) 100w	13	8-3/4	8-1/4	6
P2866	-09	-20	3(m) 100w	20-1/2	8-3/4	8-1/4	6
P2867	-09	-20	4(m) 100w	28	8-3/4	8-1/4	6



P2865



P2866

**Specifications:**

General

- Etched Seeded glass
- Dual support arms
- Rectangular backplate
- Brushed Nickel (-09) is a plated finish and Antique Bronze (-20) is painted or acid finish
- Steel Construction
- Companion chandeliers, hall and foyer, close to ceiling, pendant, and wall bracket units

Mounting

- Wall mounted
- Can be mounted in "up" or "down" position
- Canopy covers a standard 4" octagonal recessed outlet box
- Mounting strap for outlet box included.

Electrical

- Medium based ceramic sockets
- Prewired

Labeling

- UL-CUL damp location listed