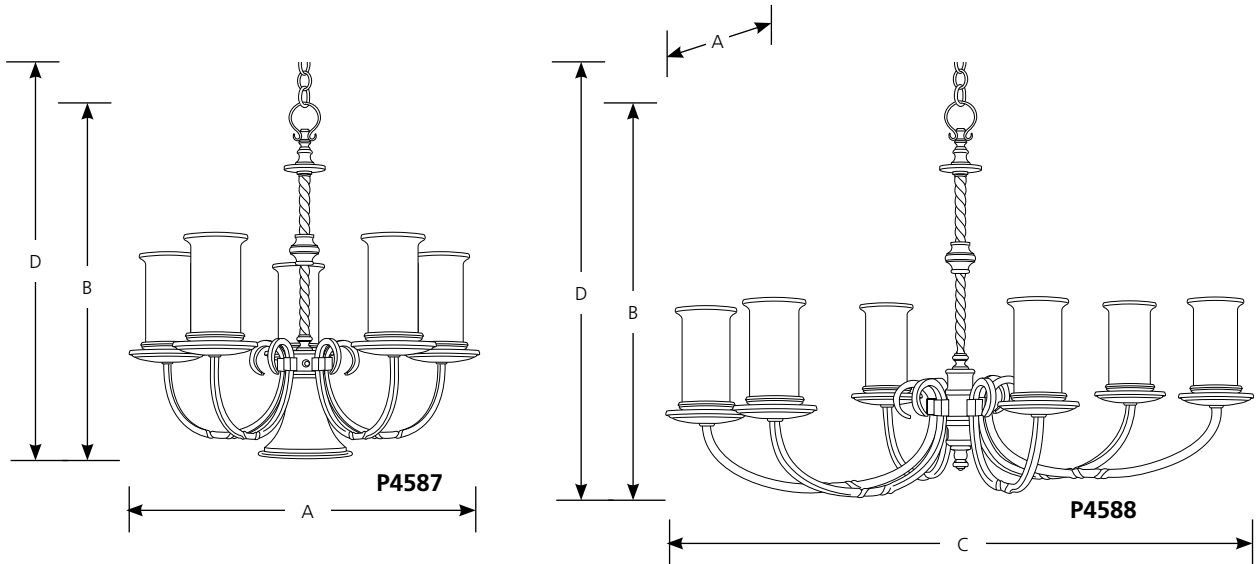


Catalog No.	Finish		Lamping	Dimensions (Inches)			
	Forged Black	Roasted Java		A	B	C	D
P4586	-80	-102	3 (c) 60w	18	17		93
P4587	-80	-102	5 (c) 60w & 1 R20 50w	24-1/4	23		98
P4588	-80	-102	6 (c) 60w	26	24-3/8	37-7/8	99



**Specifications:**

General

- Jasmine mist glass shades
- Painted Forged Black (-80), Roasted Java (-102) finishes
- Steel construction
- Six feet of 9 gauge chain supplied.
- Scrolled square arms
- Companion Bath and Vanity, Chandelier, Close-to-ceiling, Hall and Foyer, Pendant, fixtures are available
- Spiraled center column
- Has a switch for the downlight (P4587)
- Uplight style
- P4588 is an oval chandelier (top view)

Mounting

- Ceiling chain mount
- Canopy covers a standard 4" hexagonal recessed outlet box
- Mounting strap for outlet box included

Electrical

- Candelabra base phenolic sockets. Downlight in P4587 has a medium base ceramic socket
- 15 feet of wire supplied
- Pre-wired

Labeling

- UL-CUL listed

Progress Lighting  
 701 Millennium Blvd.  
 Greenville, South Carolina  
 29607