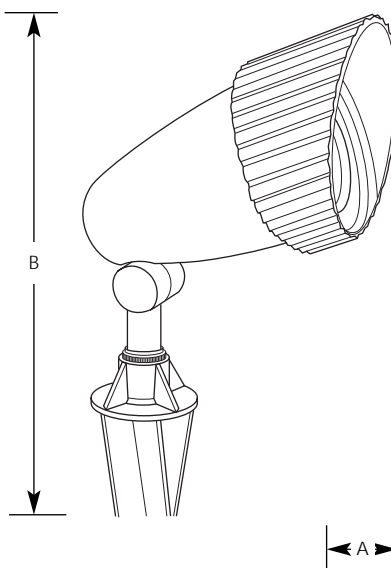


		Type	
		-25	-31
P5278	<input type="checkbox"/>	<input type="checkbox"/>	<input type="checkbox"/>
P5279	<input type="checkbox"/>	<input type="checkbox"/>	<input type="checkbox"/>

Catalog No.	Finish		Lamping	Dimensions (Inches)	
	Verde	Black		A	B
P5278	-25	-31	12v-35w MR16	3	5-5/8
P5279	-25	-31	12v-50w MR16	4-1/4	8-3/4



Specifications:

General

- Composite non-corrosive construction
- Sealed clear lens
- Glare shield is standard
- Twist off front section for ease of lamp replacement
- Positive adjustment with locking screw for aiming
- Quick connector included for attachment to feeder wire.
- Low voltage unit can be moved as needed for plant growth

Mounting

- Mounts on stake (Included), or landscape post or stem (order separately)
- 1/2" NPS thread

Electrical

- GU5.3 base on socket
- 36" of wire furnished for connection to feeder wire.
- Units must be wired to approved 12v transformer of proper capacity

Labeling

- UL-CUL listed for wet location