



Incandescent

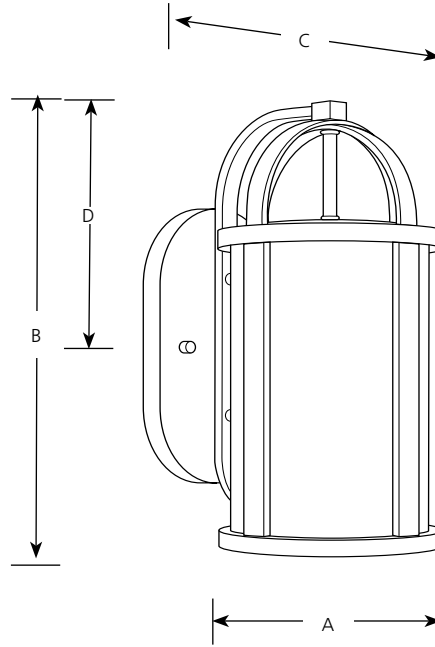
Greetings

Outdoor

Type _____
-09 -20

P5719

Catalog No.	Finish		Lamping	Dimensions (Inches)			
	Brushed Nickel	Antique Bronze		A	B	C	D
P5719	-09	-20	1 (m) 100w	7-1/2	16-3/4	10	9-1/8



Specifications:

General

- Opal etched glass cylindrical diffuser: 6-7/16" dia.
- Plated Brushed Nickel (-09) finish
- Powdercoat Antique Bronze (-20) finish
- Aluminum & steel construction
- Companion Chain hung lantern, Post top lantern, Wall lantern, fixtures are available

Electrical

- Medium base ceramic socket
- 6" of wire supplied
- Pre-wired

Labeling

- cCSAus Wet location listed

Mounting

- Wall mount
- Back plate covers a standard 4" hexagonal recessed outlet box: 5-1/2" W., 10-3/4" ht.
- Mounting strap for outlet box included

Progress Lighting
701 Millennium Blvd.
Greenville, South Carolina
29607

www.progresslighting.com

Rev. 08/14