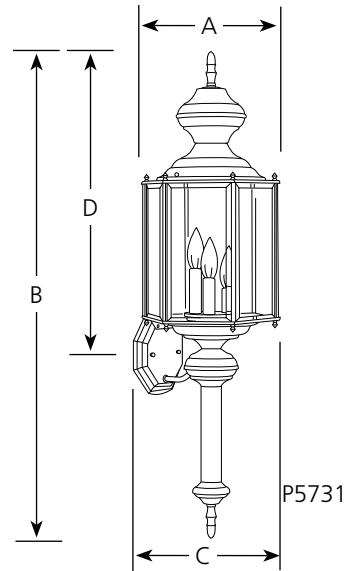


Type \_\_\_\_\_  
-31

P5731

Catalog No.	Finish		Lamping	Dimensions (Inches)			
	Black			A	B	C	D
P5731	-31		3 (c) 60w	9-3/4	33	9-1/2	21



**Specifications:**

General

- Clear beveled glass panels: 4-1/2" W, 9-1/2" ht.
- Painted Black (-31) finish
- Hexagonal style
- Aluminum construction
- Brass Guard finish coat
- Clear gasket preinstalled on back plate to isolate it from wall for tarnish protection
- Lamp replacement, remove top of unit
- Companion Post top lantern, Wall lantern, fixtures are available

Mounting

- Wall mount
- Back plate covers a standard 4" hexagonal recessed outlet box: 4-3/4" W, 5-1/2" ht.
- Mounting strap for outlet box included

Electrical

- Candelabra base phenolic sockets
- 6" of wire supplied
- Pre-wired

Labeling

- UL-CUL Wet location listed