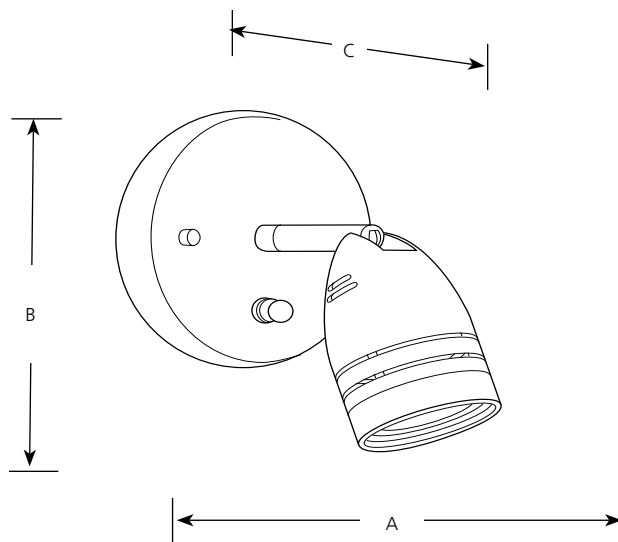




	Type		
	-09WB	-30WB	-174WB
P6154	<input type="checkbox"/>	<input type="checkbox"/>	<input type="checkbox"/>

Catalog No.	Finish				Dimensions (Inches)		
	Brushed Nickel	White	Urban Bronze	Lamping	A	B	C
P6154	-09WB	-30WB	-174WB	1-50w MR16	5	6-1/8	4-7/8

(Included)



Specifications:

General

- Bullet shaped head with ventilation
- Plated Brushed Nickel (-09), and painted white (-30) and Urban Bronze (-174) finishes
- Twist type on-off switch on canopy
- 180 degree vertical and 360 degree horizontal adjustment.
- Matching multi-lamp unit available
- Steel construction

Mounting

- Wall mounted
- Canopy covers a standard recessed 4" octagonal outlet box
- Mounting strap for outlet box included

Electrical

- 120v 50w MR16 lamp included with fixture
- GU10 based sockets
- Pre-wired

Labeling

- UL-CUL Damp Location listed