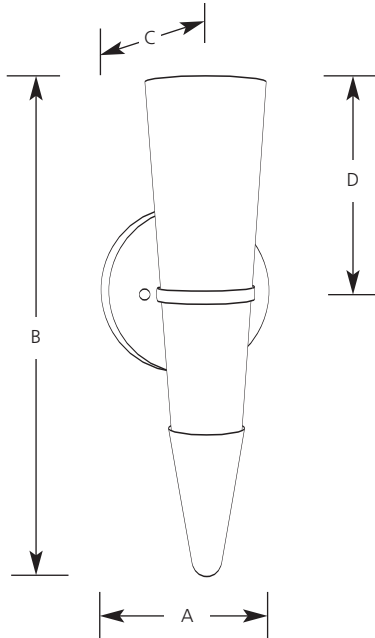


Type \_\_\_\_\_  
 -09 -20  
 P7062

Catalog No.	Finish		Lamping	Dimensions (Inches)			
	Brushed Nickel	Antique Bronze		A	B	C	D
P7062	-09	-20	1-60w T10 (m)	4-3/4	14	4	5-7/8



**Specifications:**

General

- Tapered opal glass shade
- Cone bottom cup
- Round back plate
- Complies with "Americans with Disabilities Act" - ADA
- Plated finishes
- Steel construction

Electrical

- Pre-wired
- Medium based ceramic socket

Labeling

- UL-CUL listed

Mounting

- Vertical wall mount
- Covers a standard recessed 4" octagonal outlet box
- Mounting strap for outlet box included