



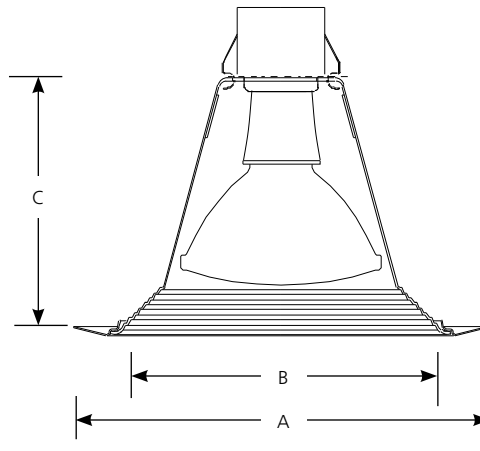
Incandescent
Trims

6" Baffle
IC and Non-IC

Recessed

Type _____
 -28 -31
 P8075

| Catalog No. | Finish | | Dimensions (Inches) | | |
|-------------|--------|-------|---------------------|-------|-------|
| | White | Black | A | B | C |
| P8075 | -28 | -31 | 7-3/4 | 6-1/4 | 4-3/4 |



Lamp Wattage

| Housing | IC | Non-IC |
|---------------|---------------------------|---------------------------------|
| P87-AT | 75w PAR30LN; 65w BR30 | 75w PAR30LN; 100w A19; 85w BR30 |
| P87-ATQC | 75w PAR30LN; 65w BR30 | 75w PAR30LN; 100w A19; 85w BR30 |
| P821-AT | 75w PAR30LN/A19; 85w BR30 | 75w PAR30LN/A19; 85w BR30 |
| P187-TG | 75w PAR30LN; 65w BR30 | 75w PAR30LN; 100w A19; 85w BR30 |
| P821-FB, FBFC | N/A | 75w PAR30; 85w BR30 |

Specifications:

Flange

- Bright white powder painted metal flange

Trim

- All aluminum construction
- White baffle (-28) is one-piece construction with integral flange
- Black baffle (-31) is two-piece construction with separate white flange ring
- No light leaks around trim flange
- Socket mounts to trim for optimum performance and consistent lamp position
- Trim-Lok action for trim retention forces trim to fit snugly against the ceiling
- Powder painted bright white

Labeling

- UL-CUL damp location listed
- Rated IC and Non-IC

Options

- Specify after Catalog No.:
 White (-28)
 Black (-31)

Progress Lighting
 701 Millennium Blvd.
 Greenville, South Carolina
 29607

www.progresslighting.com
 Patent# 5,758,992, 5,758,993

Rev. 02/14

P87-AT

P87-AT WITH P8075-28

Report No. 98169

No. Lamps: 1 Type Lamp: 75PAR30 LN/FL Total Lumens: 985

Fixture Efficiency: 97.9%

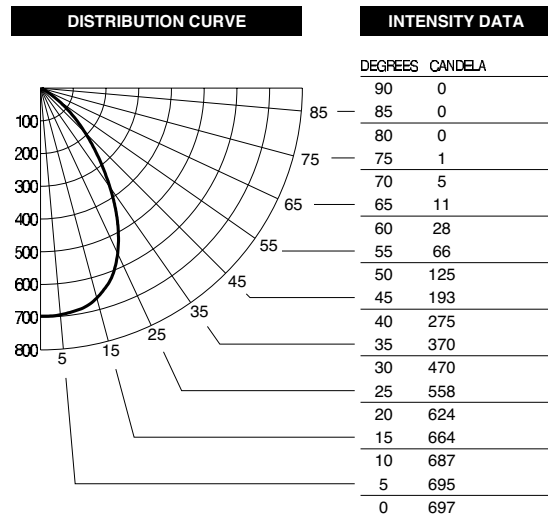
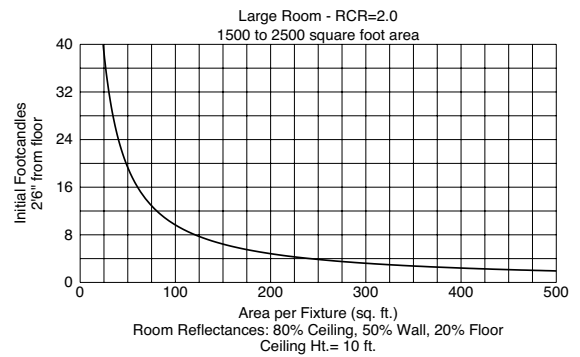
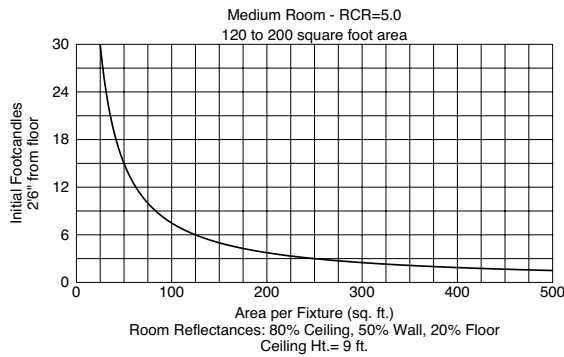
S/MH Ratio: 1.1

Single Fixture Data

| Ceiling Ht.(Ft.) | 10% Values | | Zero Degrees Ft.-C | 50% Values | |
|---------------------|-----------------|-----------|--------------------------|-----------------|-----------|
| | Beam Angle - 90 | | | Beam Angle - 56 | |
| | Ft.-C | Beam Dia. | | Ft.-C | Beam Dia. |
| 8 | 2.3 | 11 | 23.0 | 11.5 | 6 |
| 10 | 1.2 | 15 | 12.4 | 6.2 | 8 |
| 12 | 0.8 | 19 | 7.7 | 3.9 | 10 |
| 14 | 0.5 | 23 | 5.3 | 2.6 | 12 |
| 16 | 0.4 | 27 | 3.8 | 1.9 | 14 |

Ft.-C (Footcandles) are initial and measured 2'-6" from floor

Quick Calculator Charts



COEFFICIENTS OF UTILIZATION

Effective Floor Coefficient Reflectance 0.20

| RC | Effective Floor Coefficient Reflectance 0.20 | | | | | | | | | | | | | | | | | | | | | | |
|----|--|-----|-----|-----|-----|-----|-----|-----|-----|-----|-----|-----|-----|-----|-----|-----|-----|----|----|----|---|--|--|
| | 80 | | | | 70 | | | | 50 | | | | 30 | | | | 10 | | | | 0 | | |
| RW | 70 | 50 | 30 | 10 | 70 | 50 | 30 | 10 | 50 | 30 | 10 | 50 | 30 | 10 | 50 | 30 | 10 | 50 | 30 | 10 | 0 | | |
| 0 | 116 | 116 | 116 | 116 | 114 | 114 | 114 | 114 | 109 | 109 | 109 | 104 | 104 | 104 | 100 | 100 | 100 | 98 | | | | | |
| 1 | 110 | 107 | 104 | 102 | 108 | 105 | 102 | 100 | 101 | 99 | 97 | 97 | 96 | 94 | 94 | 93 | 91 | 90 | | | | | |
| 2 | 104 | 98 | 93 | 90 | 101 | 96 | 92 | 89 | 93 | 90 | 87 | 90 | 87 | 85 | 87 | 85 | 83 | 81 | | | | | |
| 3 | 97 | 90 | 84 | 80 | 95 | 88 | 83 | 79 | 86 | 81 | 78 | 83 | 80 | 76 | 81 | 78 | 75 | 74 | | | | | |
| 4 | 91 | 82 | 76 | 71 | 89 | 81 | 75 | 71 | 79 | 74 | 70 | 77 | 73 | 69 | 75 | 71 | 68 | 67 | | | | | |
| 5 | 85 | 76 | 69 | 64 | 84 | 75 | 69 | 64 | 73 | 68 | 64 | 71 | 67 | 63 | 70 | 66 | 62 | 61 | | | | | |
| 6 | 80 | 70 | 63 | 59 | 79 | 69 | 63 | 58 | 68 | 62 | 58 | 66 | 61 | 57 | 65 | 60 | 57 | 55 | | | | | |
| 7 | 75 | 65 | 58 | 53 | 74 | 64 | 58 | 53 | 63 | 57 | 53 | 62 | 57 | 53 | 61 | 56 | 52 | 51 | | | | | |
| 8 | 71 | 60 | 54 | 49 | 70 | 60 | 53 | 49 | 59 | 53 | 49 | 58 | 52 | 48 | 57 | 52 | 48 | 47 | | | | | |
| 9 | 67 | 56 | 50 | 45 | 66 | 56 | 49 | 45 | 55 | 49 | 45 | 54 | 49 | 45 | 53 | 48 | 45 | 43 | | | | | |
| 10 | 63 | 53 | 46 | 42 | 62 | 52 | 46 | 42 | 51 | 46 | 42 | 50 | 45 | 42 | 50 | 45 | 41 | 40 | | | | | |



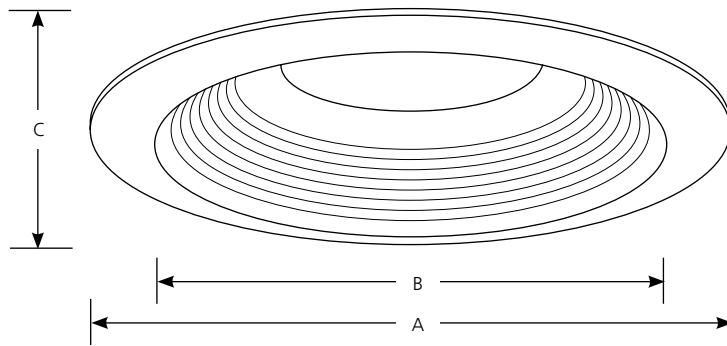
Compact Fluorescent

**6" Baffle
Single Lamp Vertical
IC & Non-IC**

Recessed

Type _____
 -28 -31
 P8075

| Catalog No. | Finish | | Dimensions (Inches) | | |
|-------------|--------|-------|---------------------|-------|-------|
| | White | Black | A | B | C |
| P8075 | -28 | -31 | 7-3/4 | 6-1/4 | 4-3/4 |



Lamp Wattage

| Housing | IC | Non-IC |
|------------|-------------------------------|--------------------------------|
| P83-AT | N/A | 13w Quad/Triple-tube |
| P83-ICAT | 13w 4-pin Quad/Triple-tube CF | 13w 4-pin Quad/Triple-tube CF |
| P88-ICAT | 18w 4-pin Quad/Triple-tube CF | 18w 4-pin Quad/Triple-tube CF |
| P183-EB | 13w 4-pin Quad/Triple-tube CF | 13w 4-pin Quad/Triple-tube CF |
| P83-26ICAT | 26w 4-pin Triple-tube CF | 26w 4-pin Triple-tube CF |
| P62-FB | N/A | 26 or 32w 4-pin Triple-tube CF |

Specifications:

Flange

- Bright white powder coated flange
- No light leaks around trim flange
- Covers irregular ceiling openings

Trim

- One piece aluminum construction
- Designed for use with vertically mounted 13 watt Quad or Triple tube (GE) C.F.
- Socket mounts to trim for optimum performance and consistent lamp position
- No light leaks around trim flange
- Trim-Lok action for trim retention forces trim to fit snugly against the ceiling

Options

- Specify after Catalog No: White (-28), Black (-31)

Labels

- Maximum overall length of lamp cannot exceed 5.5" (5-1/2")
- Available are: GE -F26TBX, Phillips PLT26, Sylvania CF26 or 32DT, or Progress 7808-01 (26w)

Labels

- UL-CUL damp location listed
- Rated IC and Non-IC

Progress Lighting
 Post Office Box 5704
 Spartanburg, South Carolina
 29304-5704

www.progresslighting.com
 Patent# 5,758,992, 5,758,993