



Incandescent

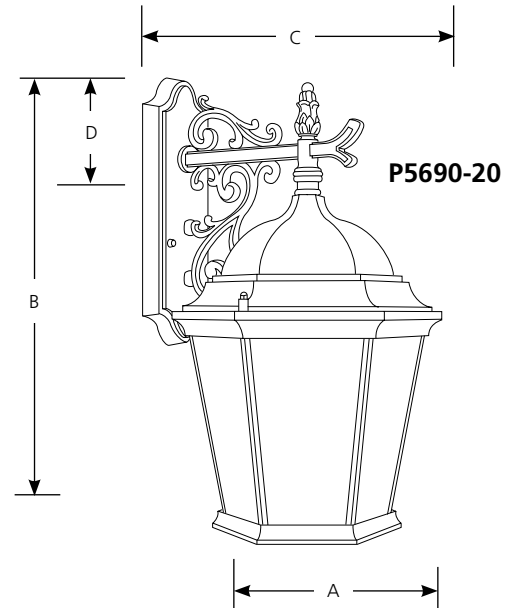
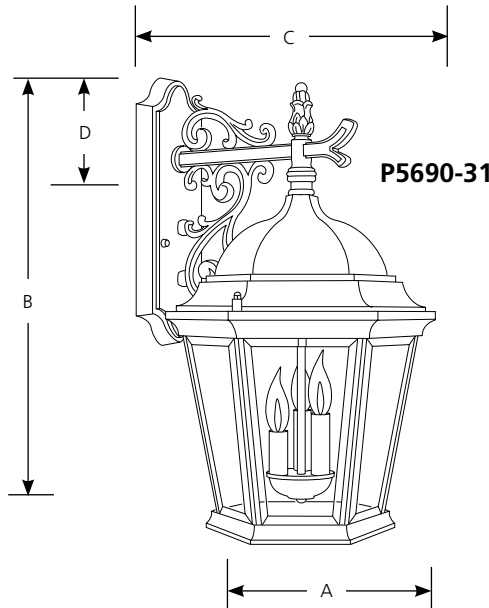
Welbourne

Outdoor

Type _____
-20 -31

P5690

Catalog No.	Finish		Lamping	Dimensions (Inches)			
	Antique Bronze	Textured Black		A	B	C	D
P5690	-20	-31	3 (c) 60w	12-5/8	22-3/16	13-13/16	8-1/2



Specifications:

General

- Etched glass (-20), Clear beveled glass (-31) panels: 5-7/16" Top, 3-13/16" Bottom, 8-13/16" ht.
- Painted Antique Bronze (-20), Textured Black (-31) finishes
- Die-cast aluminum construction
- Non ferrous interior components
- Cast wall plate
- Each glass panel replaceable
- Candle covers match fixture finish
- Companion Chain hung lantern, Post top lantern, Wall lantern, fixtures are available

Mounting

- Wall mount
- Back plate covers a standard 4" hexagonal recessed outlet box: 4-1/2" W., 13-5/8" ht.
- Mounting strap for outlet box included

Electrical

- Candelabra base phenolic sockets
- Pre-wired

Labeling

- cCSAus Wet location listed

Progress Lighting
701 Millennium Blvd.
Greenville, South Carolina
29607

www.progresslighting.com

Rev. 07/14