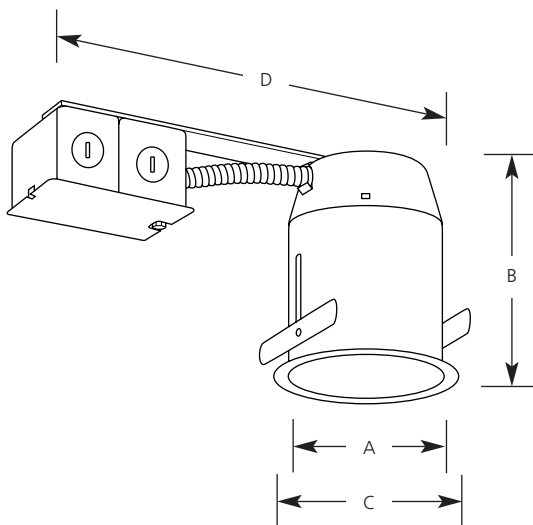


Type _____

P832-TG

Catalog No.	Lamping	Dimensions (Inches)			
		A	B	C	D
P832-TG	See Trim Specifications	4-1/8	5-1/2	4-13/16	11-3/8
		Ceiling Opening 4-1/4			



Specifications:

Wiring

- Universal J-box
- Grounding pigtail
- 1/2" Knock outs

Construction

- Housing adjusts from 1/2" to 1" thick ceilings
- Galvanized steel construction with aluminum housing
- Porcelain socket with nickel-plated brass screw shell
- Adjustable bars lock unit securely to ceiling
- Integral housing flange

Labeling

- UL-CUL listed for damp locations and feed through wiring (2in, 2 out, 12ga.)
- Non-IC rated

Lamp/Trim

- Socket mounts to trim for optimum performance and consistent lamp position