

Please go to www.quoizel.com for product cleaning tips. Go to the **Care + Maintenance** selection.

Tools Required: Flathead screwdriver, Phillips screwdriver, pliers, wire cutters, wire strippers, electrical tape, safety glasses.

Light Source: (1) Medium Base 100W Maximum, Alternate bulb (1) 13W CFL

Estimated Assembly Time: 30-45 minutes

Preparation: Identify and inspect all parts before beginning installation. Check package content list and diagrams below to be sure all parts are present. If any parts are missing or damaged, do not attempt to assemble, install, or operate the fixture. Contact customer service for replacement parts.

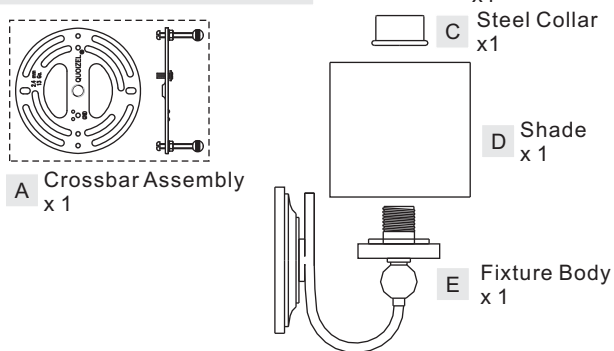
⚠ Warnings and Cautions

Turn off electricity at circuit breaker or main fuse box before installation. Consult a licensed electrician if in doubt.

These instructions are provided for your safety. It is very important you read them completely before installing the fixture. We strongly recommend that a licensed, professional electrician perform the installation.

Disconnect fixture from power source before replacing bulbs. Make sure bulbs are given sufficient time to cool before removal. Do not subject glass parts to any shock while in operation or shattering may result.

Package Contents



STEP 3 - Wire Connections

A. Use standard wire connectors (not included) to make all wire connections. (Connectors are not included with fixture.) Twist connectors until wires are tightly joined together. Wrap each connection with approved electrical tape and carefully stuff all the connected wires into the Outlet Box.

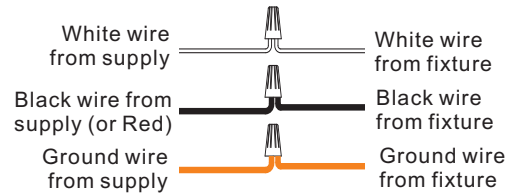
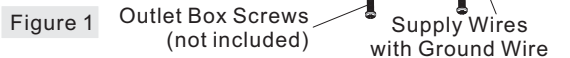


Figure 3

STEP 2 - Install Crossbar Assembly

A. Pass the supply wires through the Crossbar Assembly (A). Attach the Crossbar Assembly (A) to the Outlet Box with the head of the Green Ground Screw facing you. Secure it with Outlet Box Screws (not included). Tighten until snug.



STEP 4 - Install Fixture Body

A. Carefully tuck all wires into the outlet box and position the backplate of the Fixture Body (E) over the outlet box. Align the holes in the backplate of the Fixture Body (E) with the mounting screws, then attach the backplate of the Fixture Body (E) using the previously removed mounting balls. Hand tighten until snug.

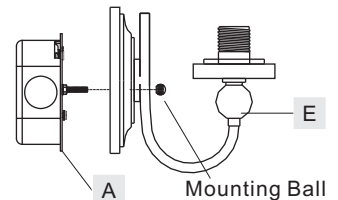


Figure 4

STEP 2 - Fit Fixture Body to Crossbar Assembly

A. Remove mounting balls from the Crossbar Assembly (A). Fit the backplate of the Fixture Body (E) to the Crossbar Assembly (A) and secure with mounting balls. Note: The backplate of the Fixture Body (E) should be snug against the wall and the mounting balls. If Not, adjust the length of the nipple on the Crossbar Assembly (A) by unscrewing the preassembled hex nut and lock washer and then screwing the mounting screws in or out of the crossbar until the correct length is achieved. Once the backplate of the Fixture Body (E) is secure, remove the mounting ball and Fixture Body (E) and proceed to Step 3.

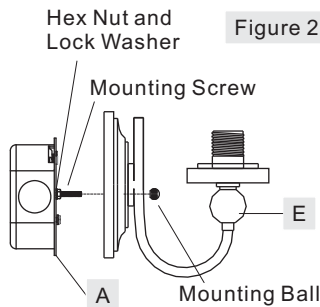


Figure 2

STEP 5 - Install Shade and Bulb

A. Place the Shade (D) and the Steel Collar (C) over the Socket as shown. Secure by threading the Socket Collar (B) onto the Socket. Hand tighten until snug.
 B. This fixture uses standard bulb with a standard screw base. Maximum 100 watts. Insert bulb and screw properly into place.

Your fixture is now assembled and ready to use. Enjoy!

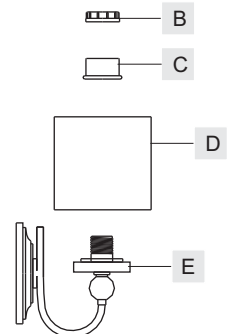
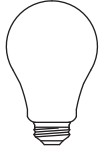


Figure 5

Thank you for purchasing a Quoizel product.
Need assistance with parts or assembly? Call Quoizel customer service at 1-631-273-2700
or visit us on-line at www.quoizel.com

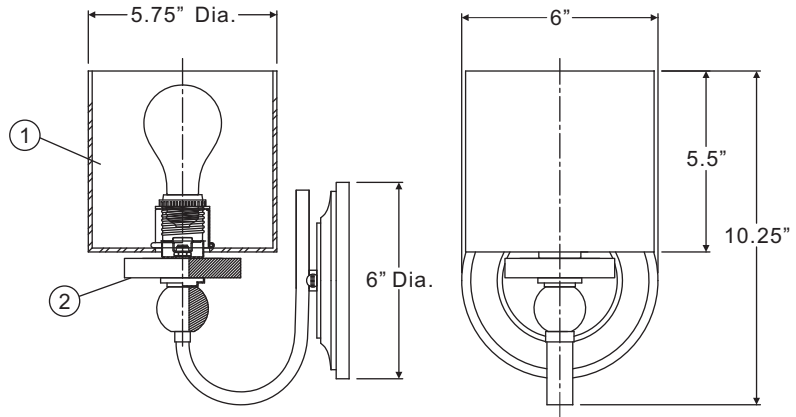
DW8701BN

FINISH: BRUSHED NICKEL



(1) 100W Medium
Base Bulbs
(Not Supplied)

NOTE: ALL DIMENSIONS ARE ROUNDED
UP TO THE NEAREST 1/4"



NO.	PART NUMBER	REPLACEMENT PART DESCRIPTION	
1	G595WL	SHADE	1
2	G2563CR	CRYSTAL DISC	1

Thank you for purchasing a Quoizel product.
Need assistance with parts or assembly? Call Quoizel customer service at 1-631-273-2700
or visit us on-line at www.quoizel.com