

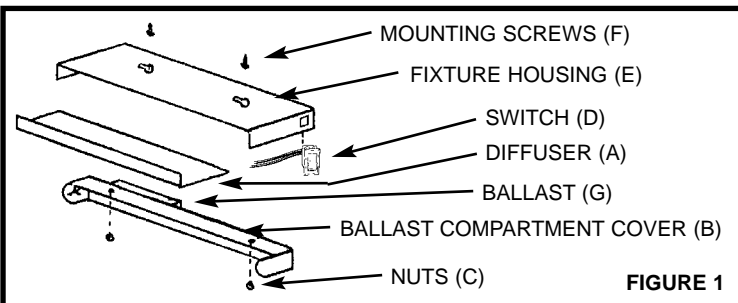
INSTALLATION AND SAFETY INSTRUCTIONS

GENERAL

You don't need special tools to install this fixture. Be sure to follow the steps in the order given. Under no circumstances should a fixture be hung on house electrical wires, nor should a swag type fixture be installed on a ceiling which contains a radiant type heating system. NOTE: Proper wiring is essential for the safe operation of this fixture. Read instructions carefully. **If you are unclear as to how to proceed, consult a qualified electrician.**

WARNING: BE SURE THE ELECTRICITY TO THE WIRES YOU ARE WORKING ON IS SHUT OFF. EITHER THE FUSE REMOVED OR THE CIRCUIT BREAKER OFF .

NOTE: FOR FIXTURES PROVIDED WITH 75°C OR 90°C SUPPLY WIRE ONLY—(THESE WARNINGS ARE PROVIDED ON THE U.L. LABEL AND ON THE FIXTURE CARTON): RISK OF FIRE. MOST DWELLINGS BUILT BEFORE 1985 HAVE SUPPLY WIRE RATED 60°C. CONSULT A QUALIFIED ELECTRICIAN BEFORE INSTALLING.



INSTALLATION WITH OPTIONAL SWITCH

Carefully remove the fixture from the carton and check that all parts are included, as shown in Figure 1. Be careful not to misplace any of the screws or parts which are needed to install this fixture.

IF SUPPLY WIRES ARE LOCATED WITHIN 3" OF BALLAST, USE WIRE RATED FOR AT LEAST 90°C.

STEP 1:

Remove diffuser (A). Remove ballast compartment cover (B) by taking off the (2) nuts (C) at each end of the fixture.

STEP 2:

Attach switch (D) by removing knock out required. Snap switch (D) in place.

STEP 3:

Knock out hole for power supply in fixture housing (E).

ITEM

Fill in item number located on carton and file this sheet for future reference

**DEAR VALUED CUSTOMER
PLEASE HANDLE ACRYLIC DIFFUSER WITH
CARE WHEN INSERTING INTO HOUSING TO
PREVENT BREAKAGE.**

STEP 3:

Snap in diffuser (A).

STEP 2:

Install lamp.

STEP 1:

After wires are connected, replace ballast compartment cover (B). Secure with nuts (C).

FINAL ASSEMBLY

STEP 7:

GROUNDING INSTRUCTIONS: Connect the ground wire from the fixture (if supplied) and the ground wire from the supply wires using a small wire connector (not supplied). NOTE: Underwriters Laboratories (U.L.) does not require all fixtures to have ground wires. These fixtures still meet all U.L. specifications. The listing mark of Underwriters on the product identifies products manufactured under its listing and Follow-Up Service Programs. **NEVER CONNECT GROUND WIRE TO BLACK OR WHITE POWER SUPPLY WIRES.**

STEP 6:

Attach white wire from fixture to white supply wire using a wire connector (not supplied).

STEP 5:

Attach black wire (or red wire which ever is applicable) from ballast (G) to one wire of switch using a wire connector (not supplied). Attach other switch wire to the black supply wire in the same manner.

STEP 4:

Mount fixture housing in desired location using mounting screws (F).

INSTALLATION WITH OPTIONAL SWITCH HC-259