



Job Name:

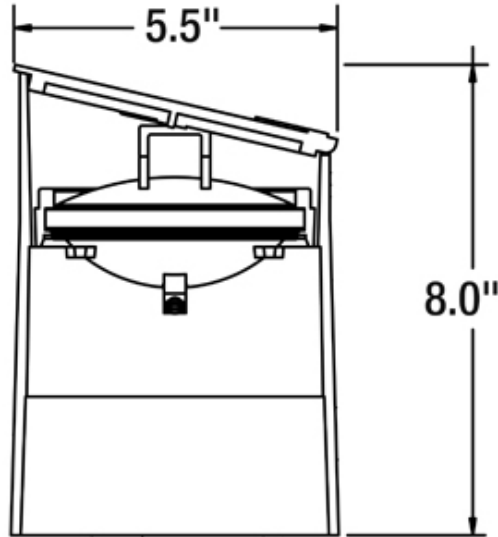
Job Type:

Comments:

Quantity:

Product Number: 91073-12

Specification Images



91073-12 - F Series Well Lights 12V.

Collections: Imperial (Primary)
F Series

Our powerful in-ground well lights use a flame-sealed PAR36 35 watt wide flood lamp to cast an ample beam spread along any landscape element. Its dual cut body allows for surface flush or angled installation options. The featured patented stainless steel gimble ring holds the lamp in place while allowing vertical and horizontal adjustments within the ABS body.

ABS Composite Construction

In-Ground Mount

Use of other manufacturers' components and power management system materials will void warranty, listing, and present a possible safety hazard. Please use caution when specifying lamps by selecting the proper voltage, base type, and wattage lamp when designing and installing any lighting system.

UPC #: 785652173257

Product Type: Landscape Light

Finish: Black (12)

Dimensions:

Diameter: 5 1/2" **Wire:** 300" (color/Brown)
Height: 8" **Mounting Proc.:** Other

Bulbs:

1 - Screw Terminal Par36 35w max 12v - included

Material List:

1 Construction - ABS Plastic - Black

Safety Listing:

cETL Listed for Wet Locations

Features:

5 Year Warranty

Instruction Sheets

Replacement Bulb Data:											
Product #			Type	Base	Watts	Watts Consumed	Volts	Hours	Lumens	Temp (°K)	CRI
97064			Par36	Screw Terminal	35	35	12v	4000	30	3050	

Shipping Information										
Package Type	Quantity	UPC	Length	Width	Height	Cube	Weight	UPS Ship	Label	
Individual	1	785652173257						Yes		