



Job Name:

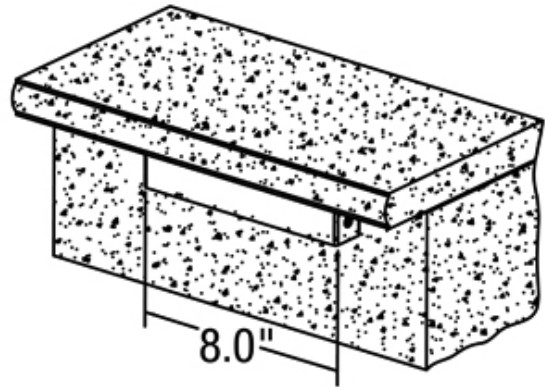
Job Type:

Comments:

Quantity:

Product Number: 91503-147

Specification Images



**91503-147 - Vanguard Hardscape Lights, 24v**

**Collections:** Signature (Primary)  
 Van Guard

A step beyond the normal recessed wall light, our unique hardscape lights are perfect for illuminating short retaining walls and other niche locations. The brass cover directs and spreads light to the intended area, while the extendable mounting plate secures the fixture allowing for face plate adjustments. Simply remove the mounting plate for installations under railings and other tight fitting spaces. The frosted lens is perfect for the desired light output.

Brass Construction

Pre-Greased Beryllium Copper Socket

Anti-Moisture Migration Connections

Recessed, Under Wall Cap Mount

Includes Removable Plate & Mounting Straps

Use of other manufacturers' components and power management system materials will void warranty, listing, and present a possible safety hazard. Please use caution when specifying lamps by selecting the proper voltage, base type, and wattage lamp when designing and installing any lighting system.

**UPC #:** 785652129032

**Product Type:** Landscape Light

**Finish:** Weathered Brass (147)

**Features:**

Lifetime Warranty

Dark Sky

**Dimensions:**

**Width:** 8"

**Wire:** 300" (color/Brown)

**Bulbs:**

**2 - GU4 Bi-Pin T-3 10w max 24v - Not included**

**Material List:**

1 Construction - Brass - Weathered  
 Brass

**Safety Listing:**

cETL Listed for Wet Locations

**Instruction Sheets**

English (Vanguard 8)

**Shipping Information**

Package Type	Quantity	UPC	Length	Width	Height	Cube	Weight	UPS Ship	Label
Individual	1	785652129032						Yes	