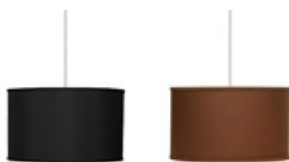


# LINE - VOLTAGE P E N D A N T S

## Lexington Pendant



BLACK

BROWN



DESERT  
CLAY

OLIVE  
GREEN



RED

WHITE



BLACK

BROWN



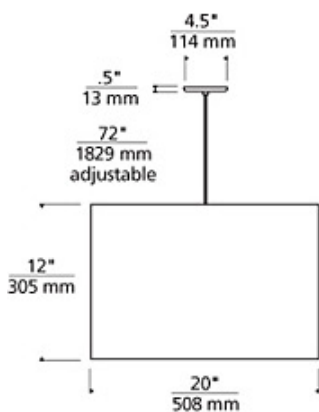
DESERT  
CLAY

OLIVE  
GREEN



RED

WHITE



### DESCRIPTION

Large drum shaped fabric shade suspended from a round canopy. Glass diffuser provides a glare free wash of light. Black, satin nickel, and white finish options highlighted with satin nickel detail and clear cable; antique bronze highlighted with antique bronze detail and brown cable. Available in two lamp configurations: incandescent and fluorescent. Incandescent version includes four 100 watt A19 medium base lamps. Fluorescent version includes electronic ballasts hidden inside the shade and can be lamped with either four 26 watt or 32 watt GX24Q-3 base triple tube lamps (sold separately). Fixture is provided with six feet of field-cutable cable. Incandescent version dimmable with standard incandescent dimmer.

### INSTALLATION

This product can mount to either a 4" square electrical box with round plaster ring or an octagonal electrical box.

### DIMMING

Incandescent version dimmable with a standard incandescent dimmer.

### ACCESSORIES & OPTICAL CONTROLS

Line-voltage Swag Hook

### WEIGHT

7.5-10.5lb / 3.4-4.76kg

### ORDERING INFORMATION

700	SYSTEM	LEXP	COLOR	FINISH	LAMP
TD	LINE-VOLTAGE PENDANTS	B	BLACK	Z ANTIQUE BRONZE	INCANDESCENT 120V
TT	LINE-VOLTAGE PENDANTS	N	BROWN	B BLACK	-CF COMPACT FLUORESCENT 120V
TT	SINGLE-CIRCUIT T-TRAK	C	DESERT CLAY	S SATIN NICKEL	-CF277 COMPACT FLUORESCENT 277V
TT2	TWO-CIRCUIT T-TRAK	V	OLIVE GREEN	W WHITE	
		R	RED		
		W	WHITE		



**TECH LIGHTING®**

7400 Linder Avenue  
Skokie, Illinois 60077

T 847.410.4400  
F 847.410.4500

[www.techlighting.com](http://www.techlighting.com)

700 \_\_\_\_\_ LEXP \_\_\_\_\_

FIXTURE TYPE: \_\_\_\_\_

JOB NAME: \_\_\_\_\_

NOTES: \_\_\_\_\_

\_\_\_\_\_

\_\_\_\_\_

