



**GENERAL PRODUCT INFORMATION:**



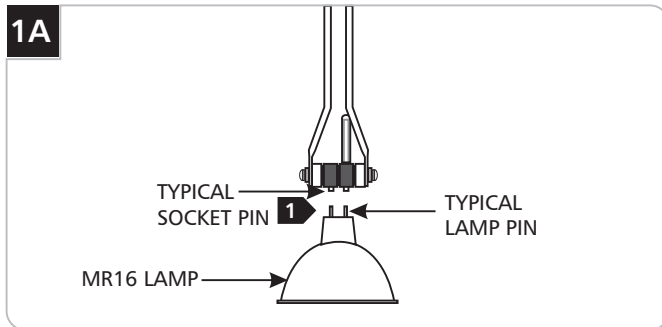
This product is suitable for indoor dry locations only.



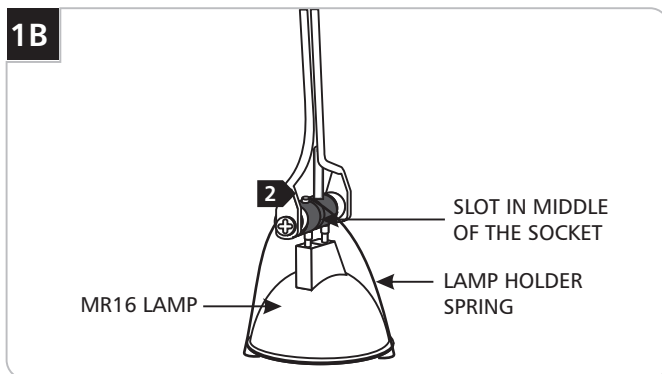
**Installing the Lamp**

**CAUTION:** To reduce the risk of a burn or electric shock during relamping, disconnect the power to the fixture.

Use **MAX 75 Watt, MR16 Front Cover Halogen Lamp.**



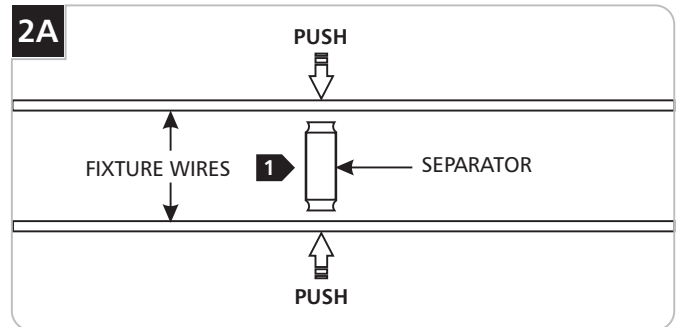
**1** Push the lamp pins all the way into the socket. Improperly installed lamp may drop out.



**2** Hook one end of the lamp holder spring (provided with the package) onto front of the MR16 Lamp. Wrap the spring over the slot in the middle of the socket and hook the other end onto front of the MR16 lamp.

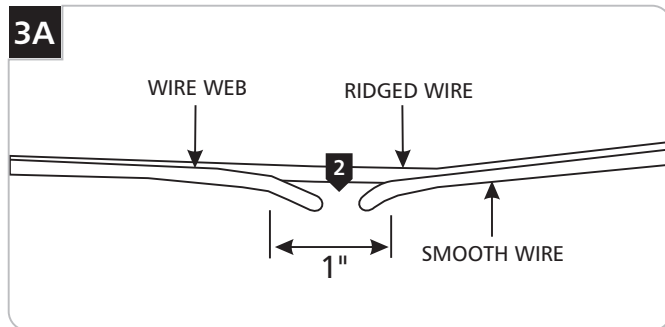
**Installing the Separator for Archie**

**NOTE:** To avoid an electrical short between the Archie fixture wires, a separator must be snapped between the fixture wires so that the wires are equal distance from each other. This does not apply to Georgi and Wally Lite fixtures.

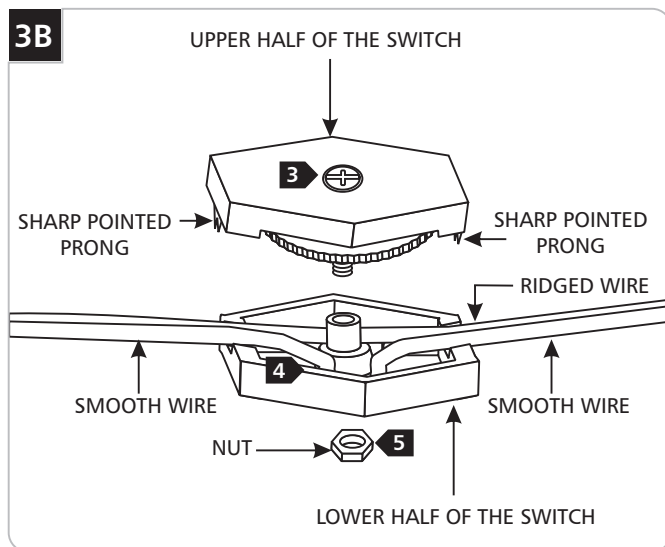


**1** Place the separator (provided in the package) between the fixture wires. Push the wires toward each other until the fixture wires snap into the separator.

## Installing the Switch

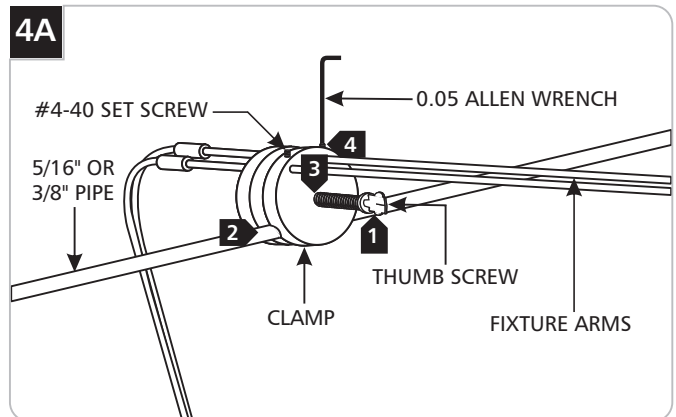


- 1** Choose a place on the cord where the switch is to be mounted.
- 2** With a sharp knife cut about a 1" slot in the cord web. Make sure not to nick the installation on either wire. Cut the smooth wire in half.



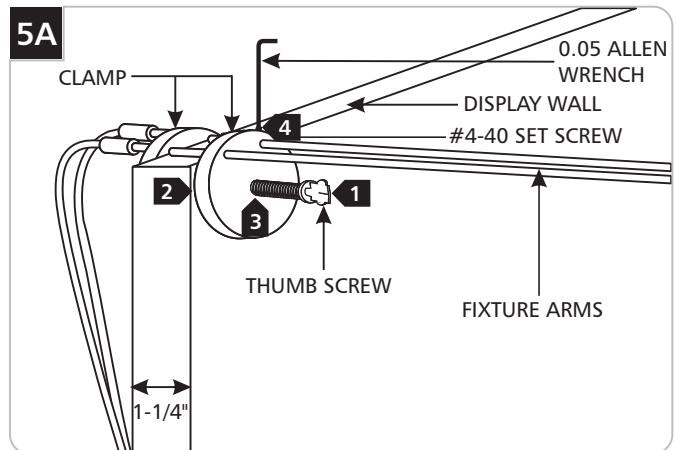
- 3** Loosen the screw on the upper half of the switch to remove the nut on the lower half.
- 4** Place the cord in the lower half of the switch (the one without the wheel).
- 5** Press both halves back together. Replace and tighten the screw on upper half of the switch to pierce the wire installation and make contact inside.

## Mount the Lite Clamp Fixture to a 5/16" To 3/8" Pipe



- 1** Loosen the thumb screw to fit the clamp onto the pipe.
- 2** Attach the clamp onto the pipe.
- 3** Tighten the thumb screw until the clamp grips the pipe securely.
- 4** Adjust the fixture arms and tighten the #4-40 set screws with the 0.05 Allen wrench.

## Mount the Lite Clamp Fixture to a Display Wall



**NOTE:** The Lite Clamp can be clamped on maximum 1-1/4" thick display wall.

- 1** Loosen the thumb screw to fit the clamp onto the display wall.
- 2** Attach the clamp onto the display wall.
- 3** Tighten the thumb screw until the clamp grips the display wall securely.
- 4** Adjust the fixture arms and tighten the #4-40 set screws with the 0.05 Allen wrench.

## IMPORTANT SAFETY INSTRUCTIONS

*To reduce the risk of fire, electrical shock, exposure to excessive UV radiation, or injury to person:*

- Use this fixture indoors only.
- Do not look directly at the lighted lamp.
- Do not remain in light if skin feels warm.
- Risk of fire: Use only the type of lamp and maximum wattage indicated in this instruction manual.
- Never cover the halogen lamp with anything other than a Tech Lighting lamp shield and never place flammable material close to your fixture.
- Never turn the fixture on and off by connecting and disconnecting the halogen lamp.
- Do not touch the fixture shades or lamp shield while the fixture is on. These surfaces may be HOT.

## Halogen Lamp General Information

- A new halogen lamp may smoke slightly when it is used for the first time. This is perfectly normal; the protective coating is simply being vaporized.

## Two Tips For Prolonging Halogen Lamp Life

- First avoid touching the lamp with bare hands during installation. Any contaminant, even the oil from your hands can deteriorate the lamp. Rubbing alcohol can be used to remove any contaminant.
- Second, do not run the lamps at full power when you do not need to. However, if dimming the fixture for an extended period of time, occasionally bring the light up to full brightness for a few minutes to complete the halogen cycle.

**SAVE THESE INSTRUCTIONS!**



7400 Linder Ave, Skokie, IL 60077

847.410.4400

[www.techlighting.com](http://www.techlighting.com)

© 2008 Tech Lighting, L.L.C. All rights reserved. The "Tech Lighting" graphic is a registered trademark of Tech Lighting, L.L.C. Tech Lighting reserves the right to change specifications for product improvements without notification.

A Generation Brands Company