

INSTALLATION INSTRUCTIONS

Model # 8842/8843

READ AND SAVE THESE INSTRUCTIONS

WARNING! SHUT POWER OFF AT FUSE OR CIRCUIT BREAKER.

AVERTISSEMENT! COUPER LE COURANT AU NIVEAU DES FUSIBLES OU DU DISJONCTEUR.

PREPARING FOR INSTALLATION (Fig. 1)

1. Shut off power at the circuit breaker and remove the old fixture including the mounting hardware.
2. Carefully unpack your new fixture and lay out all the parts in a clear area. Take care not to misplace any small parts necessary for installation.
3. Align mounting strap (C) to the outlet box and use it as a template to mark the location of the wall anchors (E). Pre-drill the holes for the wall anchors (E) and insert the anchors into the wall.
4. Thread the four studs (B) into the pre-drilled holes in the mounting strap (C) spaced the same distance apart as the holes in the back plate (F). The length of studs (B) into mounting strap (C) may be adjusted if necessary.
5. Attach mounting strap (C) using outlet box screws (D) to the outlet box (A) and screws (G) into wall anchors (E) (Fig 1).

CONNECTING THE WIRES (Fig. 2)

6. Connect the electrical wires as shown in Fig.2. making sure that all wire connectors are secured. If your outlet box has a ground wire (green or bare copper), connect the fixture's ground wire to it. Otherwise, connect the fixture's ground wire directly to the long strap using the green screw (H) provided.

COMPLETING THE INSTALLATION (Fig. 1)

7. To prevent moisture from entering the outlet box (A) and causing a short, use clear silicone sealant to outline the outside of fixture back plate (F) where it meets the wall leaving a space at bottom to allow moisture a means to escape.
8. Align back plate (F) onto studs (B) and secure with cap nuts (I). (Fig 1)
9. At this point, unscrew the top finial (J) to remove rubber washer (K) and decorative cover (L). Unscrew nipple (M) and spacer nut (N) to remove decorative cover (O) and top cover (P).
10. Install the light bulbs in accordance with the fixture specification--**DO NOT EXCEED THE MAXIMUM WATTAGE RATING! (NE PAS DEPASSER LA PUISSANCE NOMINALE MAXIMALE!)**
11. Replace top cover (P) followed by decorative cover (O) and secure with spacer nut (N) and nipple (M). Replace decorative cover (L) and rubber washer (K) and secure with top finial (J).
12. Screw nipple (Q) into the bottom of the fixture body. Align decorative holder (R) to nipple (Q) and secure with bottom finial (S).

Fig. 1

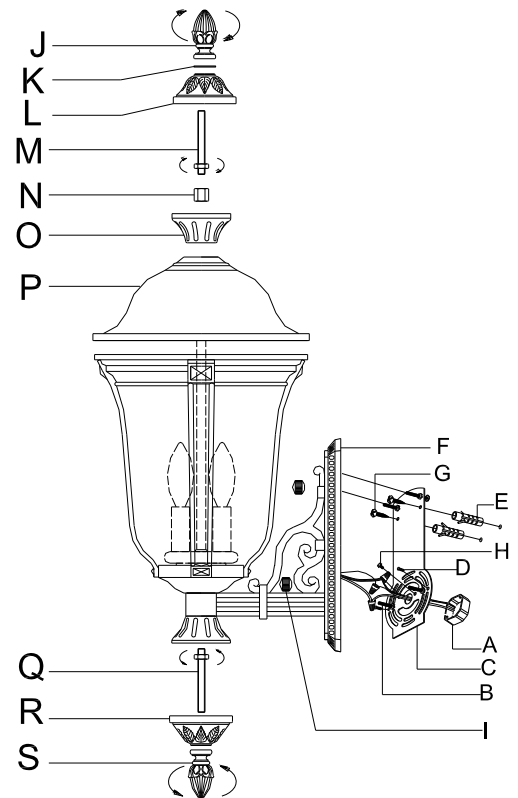
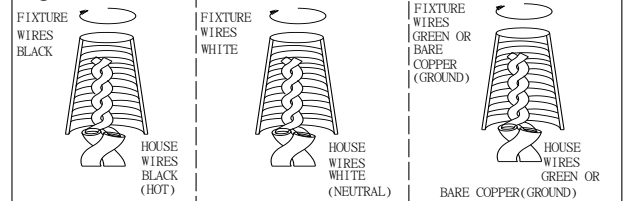


Fig.2



“CAUTION-RISK OF FIRE CONSULT A QUALIFIED ELECTRICIAN TO ENSURE CORRECT BRANCH CIRCUIT CONDUCTOR”

ATTENTION – RISQUE D'INCENDIE. CONSULTER UN ÉLECTRICIEN QUALIFIÉ POUR VOUS ASSURER QUE LES CONDUCTEURS DE LA DÉRIVATION SONT ADÉQUATS.

Your installation is now complete. Return power to the outlet box and test the fixture.