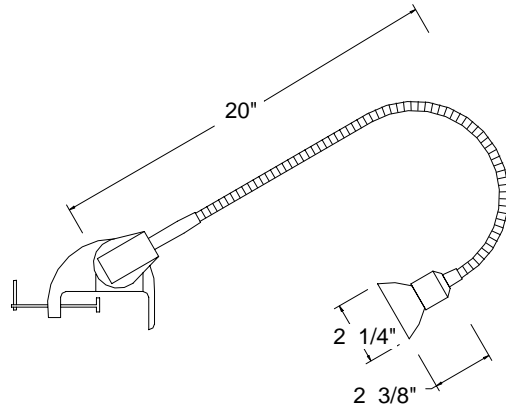


<b>CATALOG NUMBER</b>	<b>TYPE</b>
<b>PROJECT</b>	

**LOW VOLTAGE DISPLAY LIGHT**

**MODEL DL-214**



Ordering Matrix		
Model	Series	Finish
[ ]	[ ]	[ ]
DL	214	BK WT

Ordering Example (model number – series – finish) : DL-214-BK

Product Details	
<b>Description:</b>	Low voltage flexible display light with plug in transformer for use on wall partitions, display booths, and portable work areas. Mounts to flat surfaces with vice tension clamp, accommodating widths of 1/2" to 2 1/2".
<b>Materials:</b>	Fixture head and connector are aluminum. Flexible arm is steel. Clamp is heavy duty polycarbonate. Bi-pin socket is ceramic with silver plated contacts. 10' grounded cord and plug with 60w plug in style transformer.
<b>Aiming:</b>	Flexible arm allows a full range of vertical and horizontal orientation.
<b>Lamping:</b>	MR-16G or MR-11G, 12v halogen. Lamp not included.
<b>Finish:</b>	Abrasion resistant black (BK) or white (WT) paint finish.
<b>Accessories:</b>	DLC-4 = wide surface clamp accommodates up to 4" width. DLC-P = pipe clamp works on round surfaces up to 2 1/2" diameter. SW3 = Inline on/off switch to be installed in field installations. SBS11/SBS16 = Solid bulb shield used to cover lamp MBS11/MBS16 = Mesh bulb shield used to cover lamp.
<b>Listing:</b>	U.L. & C.U.L. listed.

Specification Features
<ul style="list-style-type: none"> <li>• Portable lighting unit that comes complete with clamp and 10' cord and plug.</li> <li>• Comes with a 60W class II 120V to 12V electronic plug in transformer.</li> <li>• DL-214 using MR-16G lamps can be ordered with the LENS-16-CLIP option that allows the addition of a single lens or lens accessory.</li> <li>• Lamp options include; MR11G lamp, 35w max MR16G lamp, 50w max</li> <li>• 2 year W.A.C. Lighting product warranty.</li> </ul>