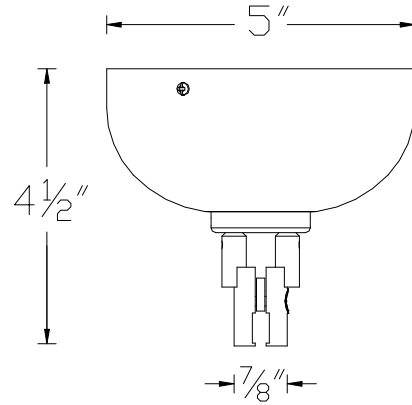


CATALOG NUMBER	TYPE
PROJECT	

SOLORAIL™ – SURFACE MOUNT TRANSFORMER **MODEL LM-EN12-150E**



Ordering Matrix		
Model	Part Number	Finish
[]	[]	[]
LM-EN12	150E	DB CH BN

Ordering Example (model number – part number – finish): LM-EN12-150E-BN

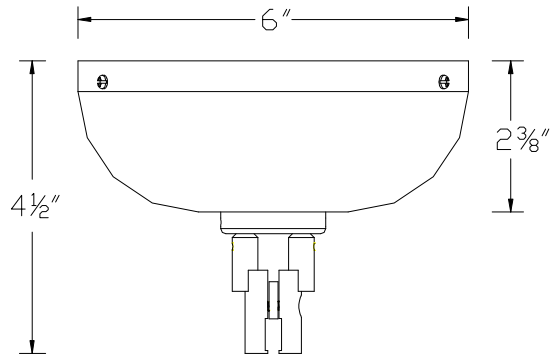
Product Details	
Description:	Surface mount electronic low voltage transformer for the WAC Solorail™ system. The canopy style enclosure includes the transformer and the track power feed adaptor.
Catalog Number:	LM = Low voltage Solorail™ EN12 = 12 volt, enclosed canopy transformer 150E = 150 watt electronic
Input:	120V (50/60Hz)
Output:	12V
Min Load:	35W(dimming) 1W (non-dimming)
Max Load:	150W
Max Input Amp:	1.25A (@ 120V)
Mounting:	Installs to a standard junction box. Total weight = 2.3 lbs. The standard LM-EN12 configuration matches the height of the 4 1/2" standoffs.
Finish:	Available in Dark Bronze (DB), Chrome (CH), and Brushed Nickel (BN).
Listing:	UL & CUL Listed.

Specification Features
<ul style="list-style-type: none"> • Dims with electronic low voltage dimmers. • Built-in auto reset, soft start, short and overload circuit protection features. • Soft start delayed start feature extends lamp life by limiting abrupt in-rush current to the lamp. • The surface mount canopy transformer is an ideal choice when the installation is on an existing ceiling. • 5 year WAC Lighting product warranty.

CATALOG NUMBER	TYPE
PROJECT	

SOLORAIL™ – SURFACE MOUNT TRANSFORMER

MODEL LM-EN12-250E



Ordering Matrix

Model	Part Number	Finish
<input type="text"/>	<input type="text"/>	<input type="text"/>
LM-EN12	250E	DB CH BN

Ordering Example (model number – part number – finish): LM-EN12-250E-BN

Product Details

Description:	Surface mount electronic low voltage transformer for the WAC Solorail™ system. The canopy style enclosure includes the transformer and the track power feed adaptor.
Catalog Number:	LM = Low voltage Solorail™ EN12 = 12 volt, enclosed canopy transformer 250E = 250 watt electronic
Input:	120V (50/60Hz)
Output:	12V
Min Load:	50W (dimming) 1W (non-dimming)
Max Load:	250W
Max Input Amp:	2.08A (@ 120V)
Mounting:	Installs to a standard junction box. Total weight = 2.5 lbs. The standard LM-EN12-250E configuration matches the height of the 4 1/2" standoffs (LM-X4).
Finish:	Available in Dark Bronze (DB), Chrome (CH), and Brushed Nickel (BN).
Listing:	UL & CUL Listed.

Specification Features

- Dims with electronic low voltage dimmers.
- Built-in auto reset, soft start, short and overload circuit protection features.
- Soft start delayed start feature extends lamp life by limiting abrupt in-rush current to the lamp.
- The surface mount canopy transformer is an ideal choice when the installation is on an existing ceiling.
- 5 year WAC Lighting product warranty.