



**59 \_\_ -PLGHDF \_\_ \_\_**

Write purchase model number here for future reference

205858

205858

205858

205858

205858

205858

205858

205858

**063129A**  
HDF Spout Assembly  
for Proximity

**060638A**  
Vandal Resistant Laminar Outlet  
with Antimicrobial by Agion®

**060640A**  
Vandal Resistant Flow Control  
Aerator and Wrench

**060642A**  
Flow Control Aerator

**RP31704**  
Spray Outlet with  
Wrench (0.5 GPM) -  
Vandal Resistant

**060566A**  
Optional Spray Outlet with  
Wrench (1.0 GPM) -  
Vandal Resistant

**060765A**  
Wrench

**RP30522**  
Gasket

**061159A**  
4" Deck Plate  
& Holddown Pkg

**061160A**  
8" Deck Plate  
& Holddown Pkg

**RP6092**  
Nut & Washer

**061175A**  
Spacer package for  
HDF Proximity

**062001A**  
Proximity Thin  
Tab & Nut

**NOTE:** For optimum performance of this product, we recommend a system pressure between 20 and 80 PSI static. This product will operate up to a maximum of 125 PSI static per ANSI and CSA requirements. However, we do not recommend pressure above 80 PSI. Thermal expansion or leaking pressure reducing valves may require use of expansion tanks or relief valves to ensure your system never exceeds its maximum intended pressure setting.

**063128A**  
Battery Box Assembly less driver  
board and battery holder

**060905A**  
Cover  
Gasket

**060906A**  
Surface  
Mount  
Housing

**062002A**  
Proximity  
Driver Board

**063127A**  
Solenoid Valve  
with 3/8"  
Compression  
Connectors

**060908A**  
Solenoid Holder

**060909A**  
Screen Assembly

**061155A**  
3/8" FIP x 3/8"  
Connector

**062032A**  
Braided  
Polymer Hose

**060683A**  
24VAC to 6VDC Converter

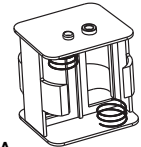
**062029A**  
Ground Wire Kit (for hardwire models)

**061047A**  
24VAC to 6VDC Converter  
with Battery Backup

**060416A**  
Bypass Adapter



**OPTION LIST**



**060684A**  
Square Battery Holder



**060571A**  
Mounting Hardware

**TRANSFORMERS**

**060704A**  
Transformer 110 to 24 VAC 20VA  
up to 5 Electronic Valves

**060771A**  
Transformer 110 to 24 VAC 40VA  
up to 10 Electronic Valves

**060772A**  
Transformer 110 to 24 VAC 100VA  
up to 25 Electronic Valves

**DECK PLATES**

**060548A**  
4" Deck Plate Gasket (6/pkg)

**061159A**  
4" Deck Plate & Holddown Pkg.

**060549A**  
8" Deck Plate Gasket (6/pkg)

**061160A**  
8" Deck Plate & Holddown Pkg.

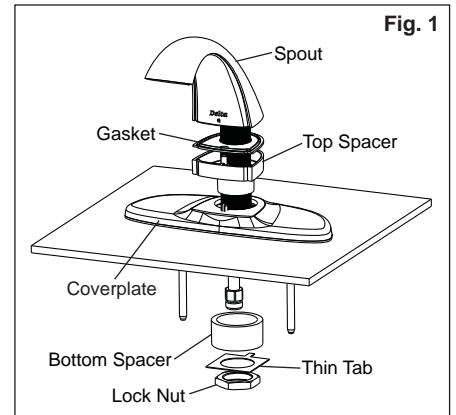
**PLEASE LEAVE this M&I Sheet with the owner, maintenance plumber, etc. as items relating to ongoing maintenance suggestions and procedures are included.**

Installation should be in accordance with local plumbing and electrical codes.  
**FLUSH ALL PIPES THOROUGHLY BEFORE INSTALLATION.**

## INSTALLATION AND SET UP INSTRUCTIONS

### STEP 1. FAUCET INSTALLATION

Mount faucet to sink using the provided components in the following order - grey bottom spacer, thin capacitance tab, lock nut (Fig. 1). **NOTE: The black top spacer must be used at all times between the spout and countertop, and the grey spacer must be used at all times between the thin tab and deck. Ensure open side of bottom spacer faces up. Thin tab faces away from sink.** If cover plate is being used, it must be between the top spacer and the deck. Use the same procedure for installation of optional 4" or 8" deck plate package (061159A or 061160A). Mount the faucet to the sink using nut(s) and washer(s) provided.



### STEP 2. BATTERY BOX INSTALLATION

Mount battery box to wall under sink using the 4 supplied screws and anchors. Use 1/4" drill for wall anchors. **Be sure to install the box within the dimensions and orientation provided so the hose and sensor cable will reach connections at faucet and battery box.** Refer to illustration (Fig. 2).

### STEP 3. FLUSH SYSTEM

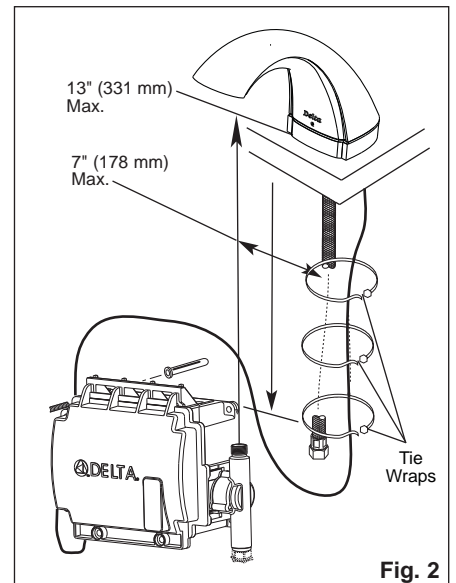
To flush supply line, assemble these components as shown (Fig. 3) and run water for one minute. Shut off water supply. Attach aerator. **NOTE: Do not connect supply to the solenoid inlet until line is flushed directly out spout.**

### STEP 4. CONNECT WATER SUPPLY

Disassemble the components, reassemble the ones shown here (Fig. 4) supply line and adapter to the bottom fitting on solenoid, polymer braided spout hose to the top fitting on solenoid. Use Teflon® tape where indicated on adapter. Turn on water supply. **DO NOT SOLDER CONNECTIONS.**

### STEP 5. CONNECT PROXIMITY™ SENSOR

Run the white sensor wire out the bottom left of the box up to the spout along the polymer braided hose up to the underside of the countertop (Fig. 2). Attach the female spade terminal to the thin capacitance tab (Fig. 5). The thin tab may be bent to assist in making the connection. **ENSURE A TIGHT CONNECTION IS MADE.** Use tie wraps (supplied) to bind the white sensor wire along the polymer braided hose back to the control box (Fig. 2).



### STEP 6. PREPARE SINK AREA

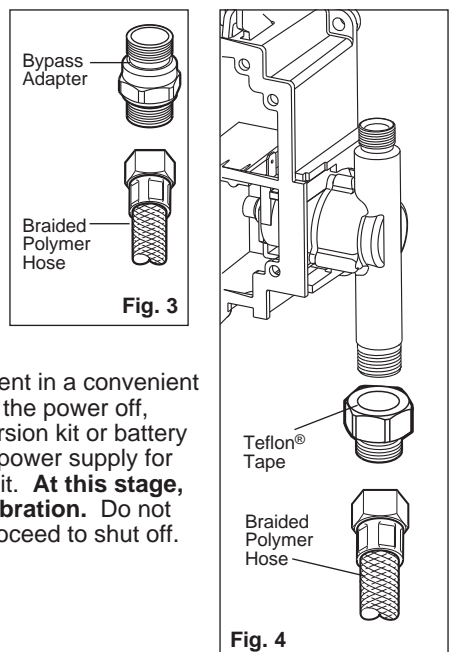
**Before connecting the power - clean off counter and remove all objects from the sink.**

### STEP 7a. CONNECT POWER

**IMPORTANT: ENSURE THAT WATER SUPPLY IS ON BEFORE PROCEEDING. WHEN POWER IS FIRST APPLIED TO THE DRIVER BOARD, THE INSTALLER MUST IMMEDIATELY STEP BACK AT LEAST 3 FEET FROM THE PROXIMITY SPOUT IN ORDER TO ALLOW THE UNIT TO PROPERLY CALIBRATE.**

**BATTERY VERSION:** Open the control box. Connect battery clip to battery pack. Install four "C" batteries provided into the battery holder. 5 quick beeps 3 times will be generated when power is first applied to the unit. **At this stage, step back at least 3 feet from the control box and spout in order to allow for proper calibration.** Do not secure the lid until after calibration.

**HARDWIRE CALIBRATION:** Install CSA and/or UL approved Class 2 transformer or equivalent in a convenient location or in a pipe chase. **(Do NOT install the transformer inside the control box.)** With the power off, bring the 24 VAC supply wires to the box. Connect the 24 VAC supply to the 060683A conversion kit or battery clip. Connect the 062029A ground wire kit (refer to 062029A instructions provided). Turn on power supply for the transformer. 5 quick beeps 3 times will be generated when power is first applied to the unit. **At this stage, step back at least 3 feet from the control box and spout in order to allow for proper calibration.** Do not secure the lid until after calibration. The unit will turn on for approximately 10 seconds and proceed to shut off. An additional 5 beeps once will then be heard indicating calibration is complete.



**Installation should be in accordance with local plumbing and electrical codes.  
FLUSH ALL PIPES THOROUGHLY BEFORE INSTALLATION.**

## INSTALLATION AND SET UP INSTRUCTIONS

### STEP 7b. CALIBRATION

After power is applied to the driver board, it generates 5 quick beeps 3 times which prompts the installer to step away from the unit. During this process the water will turn ON for approximately 10 seconds and proceed to shut off. An additional 5 beeps once will then be heard indicating calibration is complete.

### STEP 8. TEST FOR OPERATION

Test for operation. If OK, then close lid - **Use caution not to damage wires or components on electronic driver board.** See Fig 6. Secure lid using screws. If faucet leaks from spout outlet: SHUT OFF WATER SUPPLIES. Check proper solenoid connection. Replace solenoid if problem persists. If faucet exhibits very low flow: A) Remove and clean Spray Outlet or B) SHUT OFF WATER SUPPLY. Clean or replace Screen Assembly (2). If unit does not work properly, see Trouble Shooting Guide on page 5.

### STEP 9. BASIC OPERATION AFTER CALIBRATION

Proximity™ sensing technology works by creating an electrical field around a conductor (the spout) and monitoring the change in capacitance that the conductor undergoes. The change in capacitance (the ability to store an electrical charge) is brought on by a 2nd conductor (a human body) entering the Proximity™ field. As the human hand enters and leaves the vicinity of the electrical field around the spout, the solenoid is opened and closed accordingly. It is critical in the installation process that all electrical and mechanical connections be as tight and rigid as possible, ensuring a smooth signal is carried from the driver board to the spout, and back again.

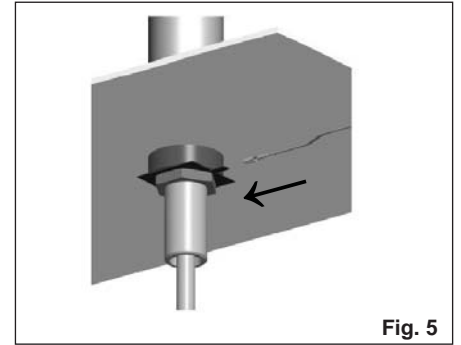


Fig. 5

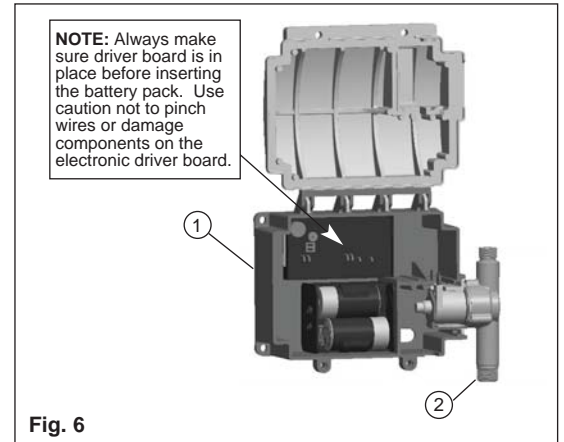
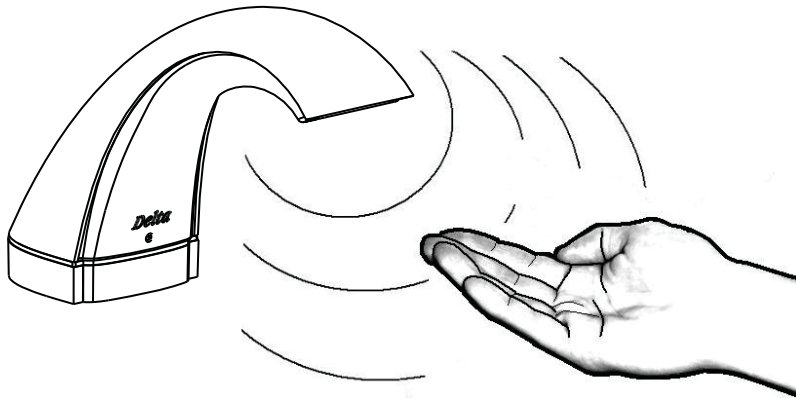


Fig. 6



After calibration, test the function of the product by placing your hands within close proximity of the spout (ensuring hands are moving as if washing hands). The solenoid will stay open while hands are moving, then close once hands are removed from the sensing zone.

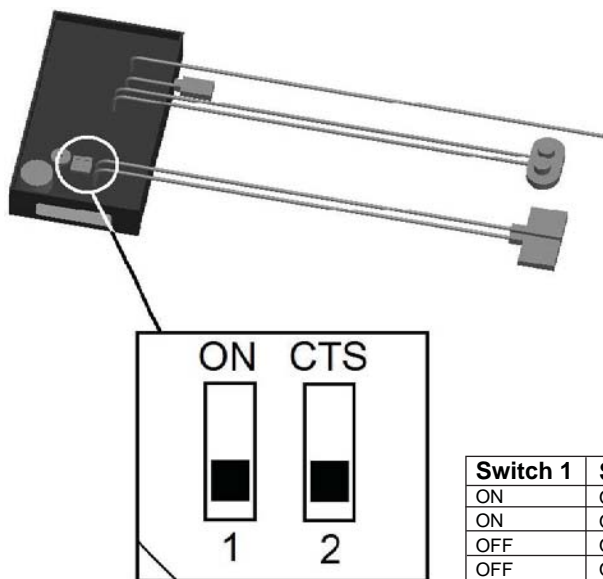
**Installation should be in accordance with local plumbing and electrical codes.  
 FLUSH ALL PIPES THOROUGHLY BEFORE INSTALLATION.**

# INSTALLATION AND SET UP INSTRUCTIONS

## STEP 10. MAKING ADJUSTMENTS

Since some sink types (i.e. stainless steel) are made of a conductive material, and some installations may be near other foreign conductive materials. Adjustments to the sensitivity of the electrical field may be required to ensure a consistent operation. If you find that after ensuring all electrical and mechanical connections are firm and rigid that the product is still not performing consistently, the default sensitivity settings of the driver board may be adjusted. Follow these steps to make sensitivity adjustments.

1. Turn off the power to the driver board by disconnecting the driver board from the battery pack or hardwire converters.  
**NOTE:** When disconnecting power - grab the battery connection and wait at least one second before disconnecting the power. When the battery connection is touched, it trips the electronics and turns on the solenoid. Waiting for at least one second before disconnecting the power will allow the electronics to reset themselves and shut off the solenoid.
2. Locate the sensitivity selector switch located on the driver board (Fig. 7).
3. Using a finger or small screwdriver, gently set the sensitivity level one step up or down from its current position. Use the sensitivity selection chart (Fig. 7) to ensure the correct setting is chosen.
4. Once the selection has been made, re-apply power to the driver board and allow for calibration as per **Step 7a and 7b**.
5. Test for operation and repeat steps 1-4, if necessary.



Sensitivity Levels:

As a rule of thumb, the High sensitivity level will produce a sensing range of approximately 3.5". The Low sensitivity level will reduce the electrical field so that the spout must be touched in order to operate.

**NOTE:** Fig. 7 depicts a driver board with the LOW Sensitivity setting selected.

Fig. 7

# CARE INSTRUCTIONS

This Delta Commercial faucet is designed and engineered in accordance with the highest quality and performance standards. With proper care, it will give you years of trouble free service. Care should be given to the cleaning of this product. Although the chrome finish is extremely durable, it can be **DAMAGED** by **ACIDIC CLEANERS** (i.e., cleaners designed specifically for vitreous china lavatories and water closets), **HARSH ABRASIVES** or **POLISH**. To clean, simply wipe the surface with a damp cloth and blot dry with a soft towel.

# TROUBLE SHOOTING GUIDE

If the faucet does not work properly, follow the steps below in order.

*Note: A polymer braided hose (062032A) is the recommended inlet connection to the solenoid valve.*

<b>Step 1</b>	<p>Check to ensure faucet was installed according to the M&amp;I.</p> <p>Test for operation. If unit does not operate:</p>           <p>Faucet shuts off due to interference:</p>	<p>Note: See instructions on pages 1 to 4.</p> <p><b>Verify the following:</b>          ½" thick spacers (061175A) are in place; black spacer on top and grey spacer on the bottom of the sink or counter.          Route the white sensor wire out of the bottom left corner of the grey box. Do not pinch wire. Wrap and zip tie the white sensor wire around the hose that leads to the spout. Any extra length of the white sensor wire should be placed with the grey box away from other electronic components.          Carefully bend the tab (062001A) down 45° and pointed away from the sink.          Check to be sure power connection is properly secured.          Check to be sure batteries are fresh and properly installed.          Check two wires to solenoid to be sure they are connected correctly.          Check to be sure water supply is turned on.</p> <p>When the faucet detects an object for longer than 45 seconds, it will automatically shut off, and be followed by 5 quick beeps 3 times and try to calibrate again. If the faucet self-cycles for 4 times within 15 seconds, it will automatically shut off. The faucet will enter calibration mode per step 7 of instructions. Once calibration takes place (with no user present), the faucet will return to regular operation.</p>	
<b>Step 2</b>	<p>Faucet seems to calibrate 3 times and/or just beeps after power applied:</p> <p>Continuous beeping tone upon power-up:</p>	<p><b>HARDWARE:</b> Use grounding wire kit (062029A).</p> <p>Check supply voltage. Supply voltage needs to be above 4.0 VDC. If the voltage is low, replace power source.</p> <p>If the voltage is good, recalibrate (see step 7 of instructions).</p>	<p>Make sure green ground wire is connected (ground to AC safety ground). Do not ground to drainage piping.</p> <p>Replace voltage source (AC/DC converter 060683A, 061047A) or battery).</p>
<b>Step 3</b>	<p>The faucet stops working. No water flow. Check the function of the solenoid.</p>	<p>The solenoid should "click" when activated.</p> <p><b>If there is a clicking sound:</b> This indicates that both the sensor and the solenoid are functioning. Ensure inlet screen on the solenoid is not plugged with debris. Check the incoming water supply, i.e. turned on, proper pressure and volume, etc.</p> <p><b>If no clicking sound:</b> Check for a pressure lock between the mixing valve and the solenoid. Turn off the water supply and undo the connection to the inlet of the solenoid, this will eliminate any built-up pressure. Then activate the sensor and test fire the solenoid.</p> <p><b>If still no clicking sound:</b> Defective solenoid.</p>	<p>Clean as required.</p> <p>Correct as required.</p> <p>Replace 063127A Solenoid.</p>
<b>Step 4</b>	<p>Faucet does not activate and/or beeps upon use or works erratically:</p> <p>The water turns on at random:</p> <p>Water runs non stop:</p> <p>Faucet turns on and off constantly:</p> <p>Faucet turns on, but shuts off immediately:</p> <p>The water takes more than 1 second to turn on:</p>	<p>Check for electrical interference.</p> <p>Check for interference from other electrical devices within close proximity to the spout or battery box. Devices such as other infrared devices, transformers, etc.</p> <p>Excessive water on the counter top may lead to an overly sensitive faucet. Wipe water off, re-calibrate the faucet (see step 7 of instructions).</p> <p>Re-calibrate the unit by disconnecting the AC/DC converter (060683A, 061047A) or battery for 10 seconds, then reconnecting. Follow step 7 of the Installation &amp; Set-Up Instructions.</p> <p><b>BATTERY:</b> Change the inlet hose to the solenoid to a polymer braided hose (062032A).  <b>HARDWARE:</b> Change the inlet hose to the solenoid to a polymer braided hose (062032A) and use the grounding wire kit (062029A).          If still functioning randomly, replace the control board (062002A).</p> <p>Verify power is supplied, wait 1 minute for calibration. If no calibration and solenoid was functioning (step 3), then control board is defective.</p> <p>Defective control board.</p> <p>Recalibrate (see step 7 of instructions).</p> <p>Recalibrate (see step 7 of instructions).</p>	<p>Call Technical Service if any such conditions found. 1-800-387-8277.</p> <p>Replace control board (062002A).</p> <p>Replace control board (062002A).</p>
<b>Step 5</b>	<p>If the sensor range is shorter than desired (maximum 3.5"):</p>	<p>Verify both dip switches on the sensitivity selector are in the ON position (Figure 7). Unplug the AC/DC converter (060683A, 061047A) or battery for a minimum of 5 seconds. Reconnect, recalibrate (see step 7 of instructions). Unit should now be at the maximum range setting for the particular installation.</p>	
<b>Step 6</b>	<p>If after completion of all above steps, the valve still does not function correctly; <b>Call Technical Service for further assistance at 1-800-387-8277.</b></p>		



## Delta Commercial Faucet Limited Warranty

All parts of the Delta® HDF® and TECK® faucets are warranted to the original consumer purchaser to be free from defects in material, finish and workmanship for a period of five (5) years unless otherwise specifically stated in the catalogue and price book. This warranty is made to the original consumer purchaser and shall be effective from date of purchase as shown on purchaser's receipt.

Delta will, at its option, repair or replace, FREE OF CHARGE, during the warranty period, any part which proves defective in material or workmanship under normal installation, use and water and service conditions. If Delta Faucet concludes that the returned part was manufactured by Delta Faucet and is, in fact, defective, then Delta Faucet will honour the warranty stated herein. Replacement parts can be obtained from your local dealer or distributor listed in the telephone directory or by returning the part along with the purchaser's receipt to our factory, TRANSPORTATION CHARGES PREPAID, at the address listed. THIS WARRANTY IS THE ONLY EXPRESS WARRANTY MADE BY DELTA. ANY CLAIMS MADE UNDER THIS WARRANTY MUST BE MADE DURING THE FIVE YEAR PERIOD REFERRED TO ABOVE. ANY IMPLIED WARRANTIES, INCLUDING THE IMPLIED WARRANTY OF MERCHANTABILITY OF FITNESS FOR A PARTICULAR PURPOSE, ARE LIMITED IN DURATION TO THE DURATION OF THIS WARRANTY. LABOUR CHARGES AND/OR DAMAGE INCURRED IN INSTALLATION, REPAIR OR REPLACEMENT AS WELL AS INCIDENTAL AND CONSEQUENTIAL, SPECIAL, INDIRECT OR PUNITIVE DAMAGES CONNECTED THEREWITH ARE EXCLUDED AND WILL NOT BE PAID BY DELTA FAUCET.

Some states do not allow limitations on how long an implied warranty lasts, or the exclusion or limitation of incidental or consequential damages, so the above limitations or exclusions may not apply to you. This warranty gives you specific legal rights, and you may also have other rights which vary from state to state.

This warranty is for commercial products only from Delta Faucet Company and Delta Faucet Canada (a division of Masco Canada Limited) and is void for any damage to this faucet due to misuse, abuse, neglect, accident, improper installation, any use in violation of instructions furnished by Delta Faucet or any use of replacement parts other than genuine Delta parts.

---

## Garantie Limitée Delta Commercial

Toutes les pièces des robinets de marque Delta® HDF® et TECK® sont garanties contre tout défaut de matériel, de finition et de main-d'oeuvre pour une période de cinq (5) ans, sauf indication contraire stipulée dans le catalogue et la liste des prix. Cette garantie est offerte à l'acheteur original et entre en vigueur à compter de la date d'achat indiquée sur la preuve d'achat.

Delta procédera, à son entière discrétion, à la réparation ou au remplacement, SANS FRAIS, durant la période de garantie, de toute pièce qui présente un défaut de matériel ou de main-d'oeuvre dans des conditions d'installation, d'usure, d'eau et de service normales. Si Delta Faucet détermine que la pièce retournée a été fabriquée par Delta Faucet et qu'en effet, cette pièce défectueuse, Delta Faucet respectera alors la garantie mentionnée ci-dessous. Les pièces de rechange peuvent être obtenues chez votre marchand local ou le distributeur inscrit dans votre annuaire téléphonique, ou en retournant la pièce ainsi que la preuve d'achat à notre usine, FRAIS DE TRANSPORT PRÉPAYÉS, à l'adresse indiquée. CETTE GARANTIE EST LA SEULE GARANTIE EXPRESSE FAITE PAR DELTA.

TOUTE RÉCLAMATION FAITE EN VERTU DE CETTE GARANTIE DOIT ÊTRE PRÉSENTÉE DURANT LA PÉRIODE DE CINQ ANS MENTIONNÉE CI-DESSUS. TOUTE GARANTIE IMPLICITE, Y COMPRIS LA GARANTIE IMPLICITE DE VALEUR COMMERCIALE D'ADÉQUATION POUR UN USAGE PARTICULIER, EST LIIMITÉE DANS LE TEMPS À LA DURÉE DE LA PRÉSENTE GARANTIE.

LES FRAIS DE MAIN-D'OEUVRE ET/OU LES DOMMAGES ENCOURUS DURANT L'INSTALLATION, LA RÉPARATION OU LE REMPLACEMENT AINSI QUE LES DOMMAGES ACCIDENTELS ET CONSÉCUTIFS, SPÉCIAUX, INDIRECTS OU PUNITIFS QUI SONT RELIÉS SONT EXCLUS ET NE SERONT PAS PAYÉS PAR DELTA FAUCET.

Certains états ne permettent pas la limitation de la durée de la garantie implicite, ou l'exclusion ou la limitation des dommages accidentels ou consécutifs, et par conséquent, les limitations ou les exclusions stipulées ci-dessus peuvent ne pas s'appliquer dans votre cas. Cette garantie vous accorde certains droits reconnus par la loi et vous pouvez aussi avoir d'autres droits qui varient d'un état à l'autre.

Cette garantie s'applique seulement aux produits commerciaux de Delta Faucet Company et Delta Faucet Canada (une filiale de Masco Canada Limited) et est nulle de plein droit pour tout dommage causé à ce robinet en raison d'une mauvaise utilisation, d'abus, de négligence, d'accident, de mauvaise installation, pour tout usage en contravention des directives fournies par Delta Faucet ou pour tout usage de pièces de rechange autres que des pièces originales Delta.

---

## Garantía Limitada de las Llaves de Agua Comerciales Delta

Todas las piezas de las llaves de agua (grifos) Delta® HDF®, TECK® están garantizadas al comprador consumidor original de estar libres de defectos de material, acabado y fabricación por un periodo de cinco (5) años a menos que sea establecido específicamente de otra manera en el catálogo o libro de precios. Esta garantía se le otorga al comprador consumidor original y será efectiva desde la fecha de compra indicada en el recibo del comprador.

Delta, a su opción, reparará o reemplazará, GRATUITAMENTE, durante el periodo de garantía, cualquier pieza que resulte defectuosa en material o fabricación bajo instalación, uso, agua y condiciones de servicio normales. Si Delta Faucet concluye que la pieza devuelta fue fabricada por Delta Faucet y es, de hecho, defectuosa, entonces Delta Faucet honrará la garantía establecida en este documento.

Las piezas de reemplazo se pueden obtener de su tienda o distribuidor local listado en la guía telefónica o devolviendo la pieza junto con el recibo de compra a nuestra fábrica, CON LOS GASTOS DE ENVÍO PRE-PAGADOS, a la dirección indicada. ESTA GARANTÍA ES LA ÚNICA GARANTÍA EXPRESA HECHA POR DELTA. CUALQUIER RECLAMO HECHO BAJO ESTA GARANTÍA DEBE SER HECHO DURANTE EL PERÍODO DE CINCO AÑOS ARRIBA MENCIONADO. CUALQUIER GARANTÍA IMPLÍCITA, INCLUYENDO LA GARANTÍA IMPLÍCITA DE COMERCIABILIDAD DE EMPLEO PARA UN PROPÓSITO PARTICULAR, TIENE UNA DURACIÓN LIMITADA A LA DURACIÓN DE ESTA GARANTÍA. LOS CARGOS DE MANO DE OBRA Y/O DAÑO INCURRIDO DURANTE LA INSTALACIÓN, REPARACIÓN O REEMPLAZO, COMO TAMBIÉN DAÑOS INCIDENTALES O RESULTANTES, ESPECIALES, INDIRECTOS O PUNITIVOS RELACIONADOS CON LO MENCIONADO, QUEDAN EXCLUIDOS Y NO SERÁN CUBIERTOS POR DELTA FAUCET.

Algunos estados no permiten limitaciones de la duración de una garantía implícita, o la exclusión o limitación de daños incidentales o consecuentes, de manera que las limitaciones o exclusiones arriba mencionadas puedan no aplicarse en su caso. Esta garantía le otorga derechos legales específicos, y usted también puede tener otros derechos que varían de estado a estado.

Esta garantía es solo para productos comerciales de Delta Faucet Company y Delta Faucet Canada (una división de Masco Canada Limited), y queda anulada por cualquier daño ocasionado a esta llave de agua resultante del mal uso, abuso, descuido, accidente, instalación incorrecta, cualquier uso en violación de las instrucciones proporcionadas por Delta Faucet o el uso de cualquier parte de repuesto que no una parte genuina de Delta.

---

Delta Faucet Canada, a division of Masco Canada Limited  
350 South Edgeware Road, St. Thomas, Ontario, N5P 4L1  
1-800-567-3300 (English) 1-800-265-9245 (French)

Delta Faucet Company  
Box 40980, 55 East 111th St., Indianapolis, IN, U.S.A. 46280  
(317) 848-1812

For further technical assistance, call Delta Commercial Technical Service at 1-800-387-8277.

Pour obtenir de l'assistance technique, appelez le Service Technique de Delta Commercial au 1-800-387-8277.

Por la asistencia técnica adicional, llame al servicio técnico de Delta Comercial al 1-800-387-8277.