



### Features

- ◆ **Lighting:** Lighting uses 50 Watt Halogen Spots (PAR20). (Bulbs NOT Included)
- ◆ **Heat Sensor:** Fire Safety Thermostat with Automatic turn ON when temp. reaches 130 degrees. On BP1 model only.
- ◆ **Filters:** Aluminum Mesh Filters.
- ◆ **Duct Cover:** Made to your specifications. See reverse side for stack calculations.
- ◆ **Custom:** Custom sizes available. Call with exact dimensions for pricing and delivery time.
- ◆ **Rails:** Decorative rails available.
- ◆ **Optional Remote Controls:** Remote control wiring available.

### Specifications

- ◆ **Power:** Air Ring Fan or Flame Retardant Centrifugal Blowers. 430 CFM to 720 CFM
- ◆ **Stainless Steel:** Complete Stainless Steel Construction for Durability and Fire Safety.
- ◆ **Finishes:** Standard: Stainless Steel, White or black powder coat available. **Optional:** Over 60 custom color choices available.
- ◆ **Distance Codes:** Check local city, county and cooking appliance specifications. UL tested at 36" above cooking surface.
- ◆ **Installation:** Includes duct cover made to your specifications for easy installation. **BP1** includes a 3-1/4" x 10" rectangle to 7" round transition piece.

### Warranty

- ◆ **Warranty: 7 Year, In-Home—Parts & Labor.**
- ◆ No "Performance" Warranty when used above BBQ Style Grills, may not be satisfactory in all situations. Call to discuss.

MODELS	POWER CFM	MOTOR TYPE	CONTROLS	SONES LOW—HI	DEPTH	LIGHTS	DUCT	SIZES
WHP1900BP1	625	Single Blower	Variable	1.6 - 4.6	20-1/8"	Front Panel	Single 7" (3-1/4" x 10" to 7" round)	30" & 36"
WHP1900BP1-8	720	Single Blower	Variable	1.6 - 4.6	20-1/8"	Front Panel	Single 8" (3-1/4" x 10" to 8" round)	30" & 36"
WHP1900SD4	430	Air Ring Fan	Variable	2.5 - 7.6	20-1/8"	Front Panel	Single 7" Round	30" & 36"

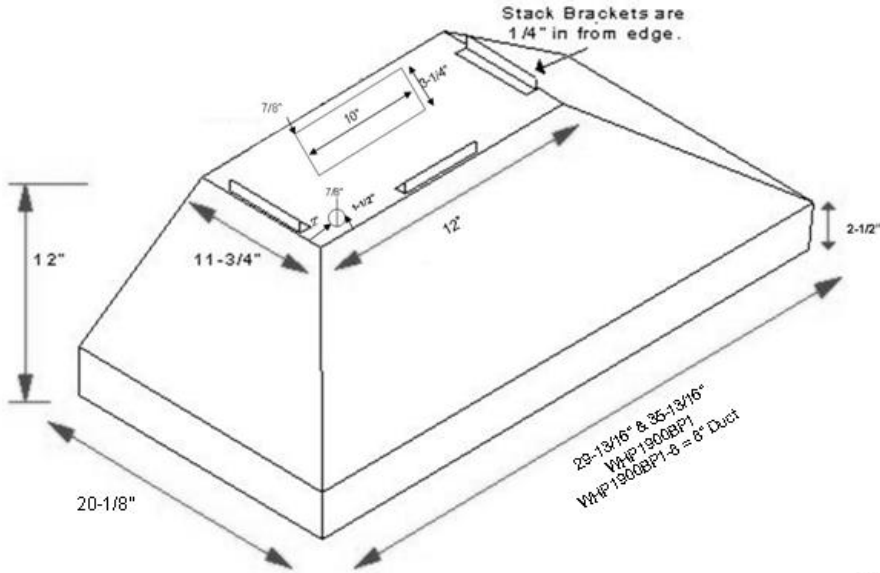


# Wall Pyramid Specifications

**NOTE**

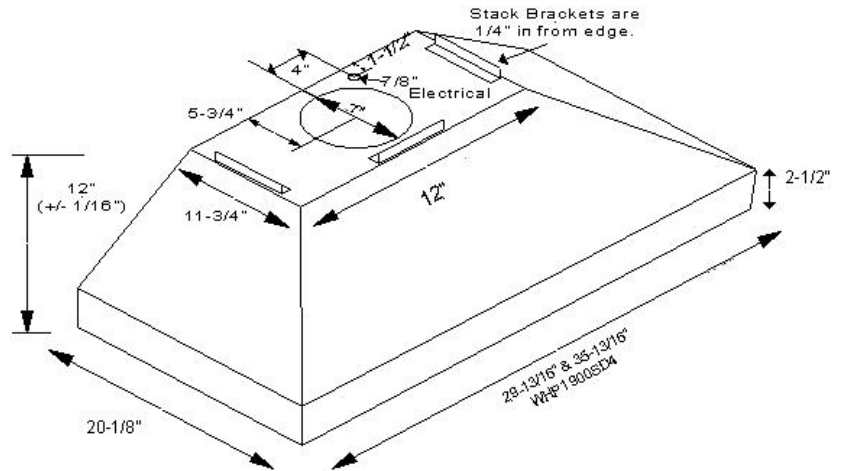
**Example: WHP1900BP1-8**  
 Vent size 8" round by 3-1/2" high.  
 Increase CFM by 20% with 8" vent transition.

All other dimensions remain the same.



Transition: 8" tall x 10-1/4" wide x 3-1/2" deep

Adapter: 3-1/2" tall x 10" wide x 3" deep



- CEILING HEIGHT = \_\_\_\_\_
- COUNTER HEIGHT = 36"
- MOUNTING HEIGHT = 36"
- HOOD HEIGHT = 12"

Subtract counter height and mounting height from total ceiling height, then subtract height of hood. This will give you your stack height.

**Example for an 8 foot ceiling: 96" minus – 36", minus – 36", minus – 12" = 12" High Stack**

**WHP1900BP1**

30" & 36" = 11.5" x 11.5" x HEIGHT – MODEL # WHP36-STK-FINISH-HEIGHT

**EXAMPLE: WHP36-STK-SS-18"**

Price includes duct cover up to 48". Call for cost on custom sizes over 48"



**SEVEN YEAR, IN HOME, LIMITED WARRANTY, THE BEST IN THE INDUSTRY!**

All dimensions are (+/-) 1/8" and are subject to change. Drawings are not to scale.