

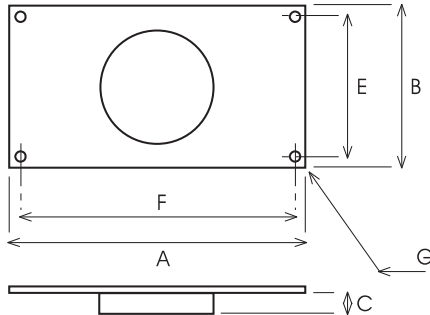


# MAR - Rectangular Duct Connector

Fits over the lip of TD and enables TD to be connected to rectangular ducting.

The World's Leading Producer of  
Air Movement Products

6393 Powers Avenue  
Jacksonville, Florida 32217-2298  
P: 800.961.7370 F: 800.961.7379  
www.solerpalau-usa.com



## Dimensions inches/mm

Model	A	B	C	E	F	G
MAR-100	10 <sup>3/8</sup> 264	7 <sup>1/16</sup> 180	1 <sup>5/16</sup> 33	6 <sup>5/16</sup> 160	9 <sup>5/8</sup> 244	3/8 9
MAR-125	10 <sup>3/8</sup> 264	7 <sup>1/16</sup> 180	1 <sup>5/16</sup> 33	6 <sup>5/16</sup> 160	9 <sup>5/8</sup> 244	3/8 9
MAR-150	12 <sup>5/8</sup> 320	8 <sup>11/16</sup> 220	1 <sup>7/16</sup> 37	7 <sup>7/8</sup> 200	11 <sup>13/16</sup> 300	3/8 9
MAR-200	14 355	9 <sup>7/16</sup> 240	1 <sup>7/16</sup> 37	8 <sup>11/16</sup> 220	13 <sup>3/16</sup> 335	3/8 9
MAR-250	17 <sup>5/16</sup> 440	11 <sup>7/16</sup> 290	1 <sup>5/8</sup> 42	10 <sup>5/8</sup> 270	16 <sup>9/16</sup> 420	3/8 9
MAR-315	21 <sup>1/4</sup> 540	14 355	2 <sup>1/16</sup> 52	14 355	20 <sup>1/2</sup> 520	3/8 9

## TD/MCA Cross Reference

Model	Type TD - TDx2 - TDx3 TWIN	Nominal dim. of ducting L x H (in/mm)
MAR-100	100	9 x 6 224 x 140
MAR-125	125	9 x 6 224 x 140
MAR-150	150	11 x 7 280 x 180
MAR-200	200	12 x 8 315 x 200
MAR-250	250	16 x 10 400 x 250
MAR-315	315	20 x 12 500 x 315

ACCESSORY MODEL	1	2	3	4	5	REMARKS

PROJECT: \_\_\_\_\_ CONTRACTOR: \_\_\_\_\_  
 LOCATION: \_\_\_\_\_ REVISION DATE: \_\_\_\_\_  
 FORM NO.: \_\_\_\_\_ SUBMITTED BY: \_\_\_\_\_ DATE: \_\_\_\_\_  
 ENGINEER: \_\_\_\_\_ APPROVED BY: \_\_\_\_\_ DATE: \_\_\_\_\_

For more information contact us at [www.solerpalau-usa.com](http://www.solerpalau-usa.com) or 1.800.961.7370 for additional submittal drawings.

Soler & Palau will not be responsible for fabrication changes or errors resulting from customer use of a non-current submittal drawing.

