



# 11 DIKL

## DRAFT INDUCTION KIT

### Instruction Sheet

United States Stove Company • 227 Industrial Park Road, P.O. Box 151 • South Pittsburg, TN 37380

#### 1. Installation

- A. Unplug the unit from the power supply
- B. Remove the four(4) screws holding the thermostat bracket in place. Then unplug the two(2) terminals going to the thermodisc. Next remove the two(2) screws holding the thermodisc in place.
- C. Remove the conduit assembly from the bracket by simply removing the nut as shown in Figure 1.
- D. Remount the bracket to the rear of the unit. Then mount the Limit Control on the bracket and mount the conduit assembly removed in step C to the limit control. Also mount the other conduit assembly from the parts box to the limit control down to the junction box.
- E. Remove the pipe plug from forced air installation entry on the cabinet back. (See Figure 2)
- F. Install mounting plate to blower with the nuts and bolts provided. Screw blower assembly into cabinet back.
- G. After Wiring, you will mount the fan control center on the junction box.
- H. Mount the wall thermostat in the part of the house you wish to keep a constant temperature.

#### 2. Electrical Connections

- A. Remove control center from junction box.
- B. Bring in power supply to junction box using conduit. This should be a separate branch circuit.
- C. Wire forced draft kit as shown on pages 3 and 4.
- D. Replace control center on junction box.
- E. On the two(2) wires that were connected to the thermodisc, cut the female terminals off and restrip the wires to 1/4". Wire the Limit Control as shown on pages 3 and 4.
- F. Wire thermostat to control center as shown on pages 3 and 4.

#### 3. Operation

- A. Set wall thermostat to desired temperature. (Recommended setting at 5 to 10 degrees higher than other heating thermostats.)
- B. When the temperature where the thermostat is located drops below the desired setting, the forced draft comes on.
- C. When the temperature of the plenum on the furnace increases, the main blower will operate, thus supplying heat to the home. The forced draft will remain on until the room temperature equals the setting on the thermostat.

#### ADJUSTING BLOWER LIMIT CONTROL SETTINGS.

The temperature in the plenum of the warm air furnace at which the blower turns on or turns off, is controlled by the setting of the pointers in the blower limit control. These pointers may be adjusted through their entire range of settings to achieve the desired warm air output from furnace. (See Figure 3)

*Move both pointers towards the right (counter clockwise) - this increases the temperature setting at which the blower will turn on and off.*

*Move both pointers towards the left (clockwise) - this decreases the temperature setting at which the blower will turn on and off.*

*Move pointers away or apart from each other - this increases the time that the blower will run on each warm air cycle.*

## CAUTION

Read all instructions carefully before starting the installation.

Models: 1300, 1400, 1500, 1537Q, 1537G, 1537M

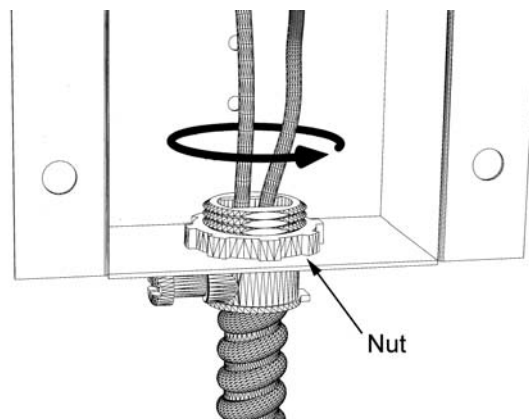


Figure 1

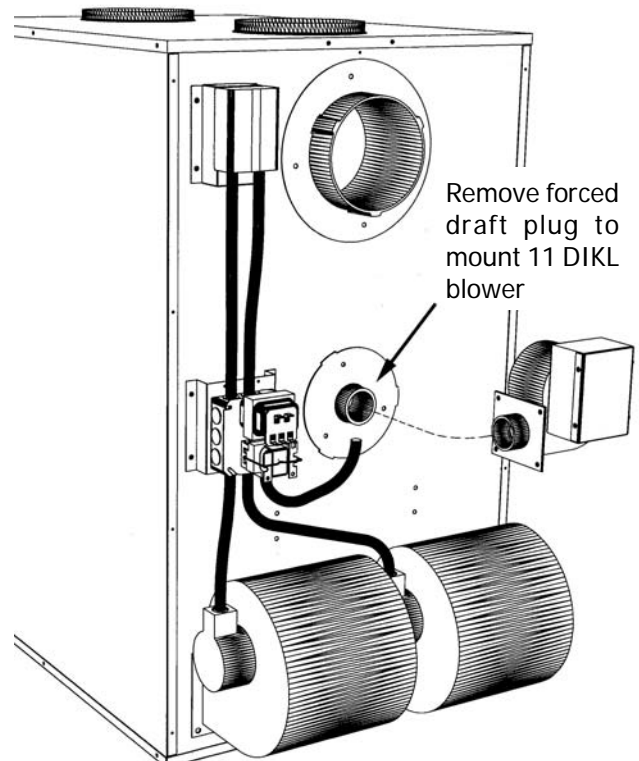
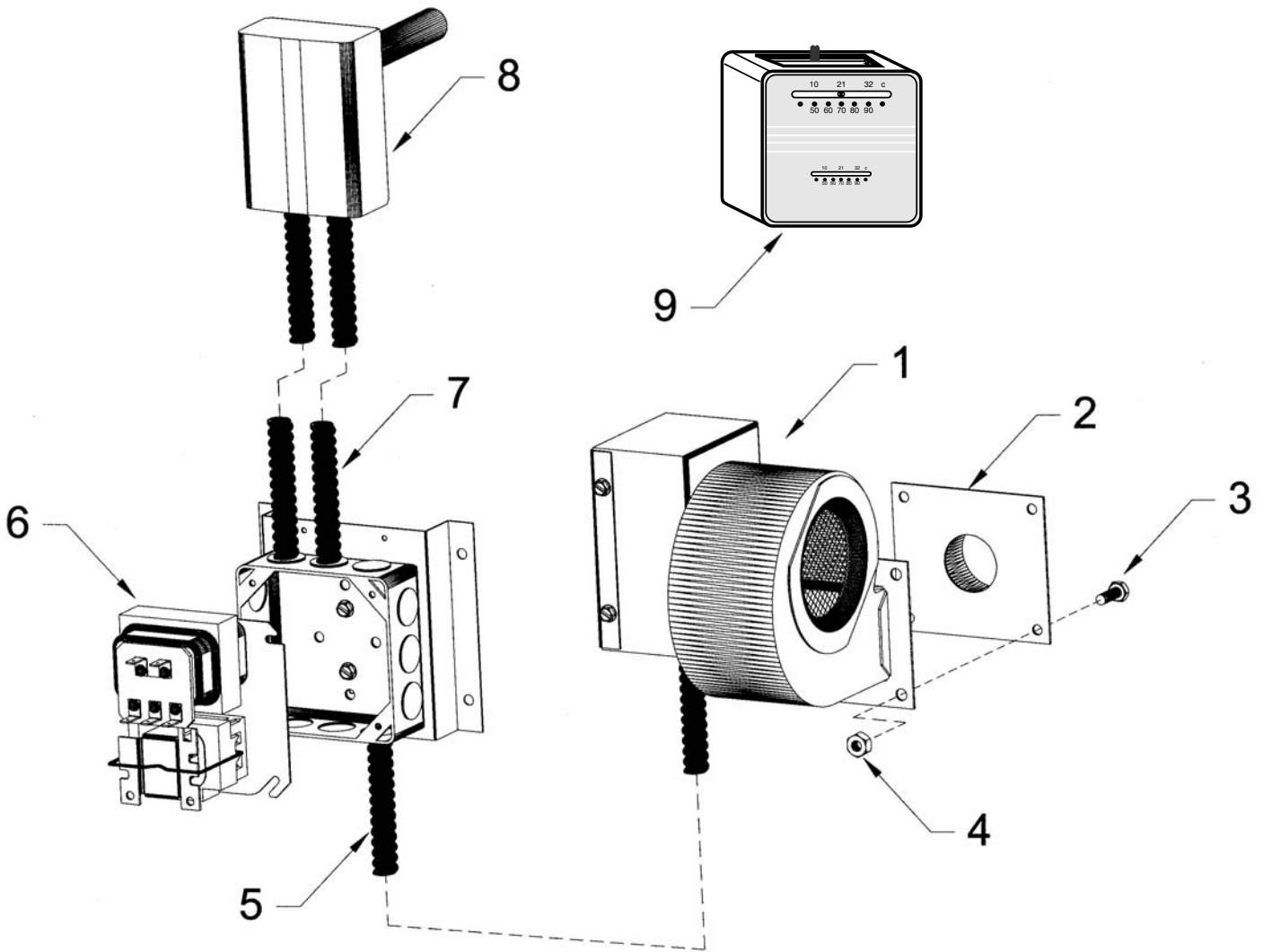


Figure 2

# Parts List



Key	Part No.	Description	Qty.
1	80243A	Forced Draft Blower	1
2	68618	Blower Mounting Plate	1
3	83339	Hex Bolt (1/4-20 x 3/4 BL OX)	4
4	83250	Kep Nut (1/4-20)	4
5	68231	Fan Control Cord Assembly	1
6	80130	Fan Control Center	1
7	68231	Fan Control Cord Assembly	1
8	80145	Blower Limit Control	1
9	80129	Wall Thermostat	1
N/S	80006	73B Wire Nut	4

# Wiring Diagram - Model 1300

NOTE: Wire leads from the distribution blower and the forced draft blower are usually **BOTH BLACK**. Makes no difference which lead from the motors connects to the white and black leads coming out of the conduit.

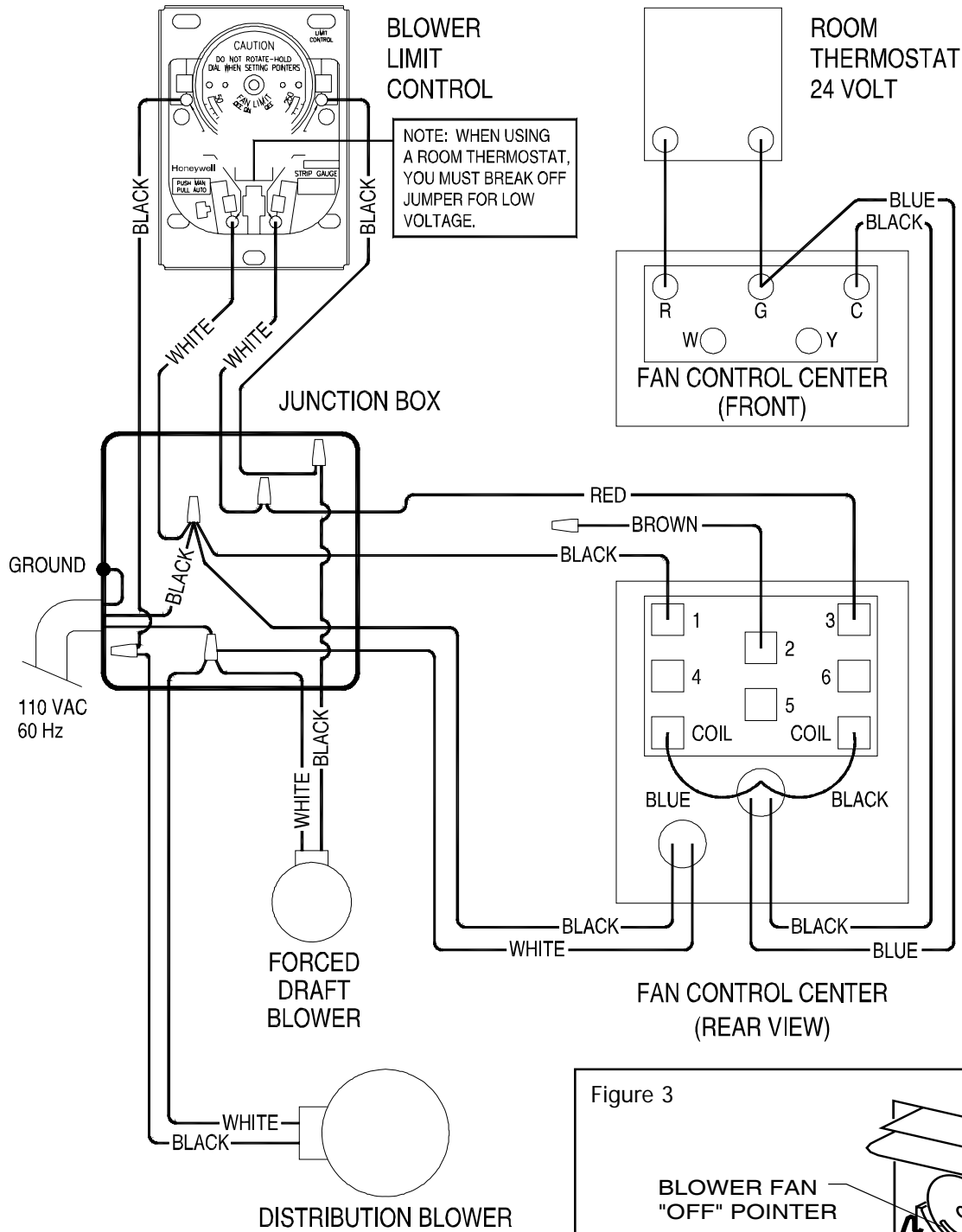
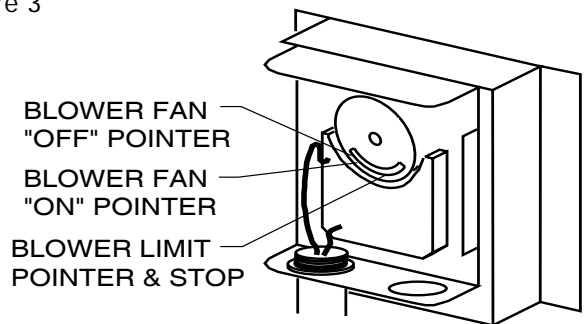


Figure 3



# Wiring Diagram - Model(s) 1400, 1500, 1537G, 1537M, 1537Q

NOTE: Wire leads from the distribution blower and the forced draft blower are usually **BOTH BLACK**. Makes no difference which lead from the motors connects to the white and black leads coming out of the conduit.

