



THERMOELECTRIC 8-BOTTLE WINE COOLER

Model: **STC1**

Instruction Manual

Please read carefully and follow all safety rules and operating instructions.

Copy Serial Number from back of unit here:

FELIX STORCH, INC.
Summit Appliance Division
770 Garrison Avenue
Bronx, New York 10474
www.summitappliance.com

Table of Contents

Important Safety Instructions2
Your Wine Cooler3
Technical Data3
Installation Instructions4
Electrical Connection4
Operating Your Wine Cooler5
Care And Maintenance5
Troubleshooting6
Limited Warranty7

IMPORTANT SAFETY INSTRUCTIONS

⚡ WARNING ⚡

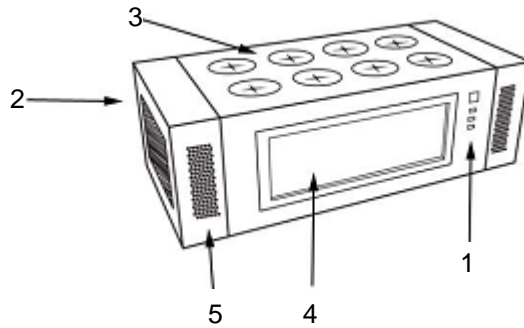
To reduce the risk of fire, electrical shock, or injury when using your appliance, follow these basic precautions:

- Read all instructions before using the wine cooler.
- **DANGER !** *Risk of Child Entrapment*
 - √ Junked or abandoned appliances are dangerous ... even if they “just sit in the garage a few days”.
 - √ **Before you throw away your old refrigerator:** Take off the doors but leave the shelves in place so that children may not easily climb inside.
- Never allow children to operate, play with, or crawl inside the appliance.
- Never clean appliance parts with flammable fluids. The fumes can create a fire hazard or explosion.
- Do not store or use gasoline or any other flammable vapors and liquids in the vicinity of this or any other appliance. The fumes can create a fire hazard or explosion.
- Do not store foods in the wine cooler, as the interior temperature may not get cool enough to prevent spoilage.

CAUTION: This Equipment is intended for the storage and display of non-potentially-hazardous bottled or canned products only.

– SAVE THESE INSTRUCTIONS –

Your Wine Cooler



1. Display
Increase temperature
Reduce temperature
Interior light on/off
2. Fan ventilation
3. Bottle storage
4. Double-glass window
5. Ventilation slots

Technical Information

Model No.	STC1
Capacity	0.78 cu. ft. (22L)
Voltage	110V
Current	2A (77°F/25°C)
Protection Class	1
Frequency	60Hz
Climate Class	SN; N
Input Power	140W
Power Consumption (kWh/24h)	1.1 (59°F/15°C)
Max Difference between ambient and interior Temperatures	31F° (17C°)
Temperature Control Range	46-66°F (8-18°C)
Net Weight	23.1 lbs
Gross Weight	26.0 lbs
Unit size (WxDxH)	28.9" x 12.8" x 9.65"
Packing size (WxDxH)	31.0" x 14.8" x 11.2"

Installation Instructions

Before using your wine cooler

- Remove the exterior and interior packing.
- Clean the interior of the unit as described on page 5.
- Place your appliance on a surface that is strong enough to support it when it is fully loaded. To level the appliance, adjust the legs at the bottom of the appliance.
- Position the unit away from direct sunlight and sources of heat (oven, heater, radiator, etc.). Direct sunlight may affect the acrylic coating and heat sources may increase electrical consumption. Extreme cold or hot ambient temperatures may also cause the appliance to perform improperly.
- This wine cooler is not designed for placement in a garage or basement. It is designed for use inside the home.

Electrical Connection

⚡ WARNING ⚡

Improper use of the grounding plug can result in the risk of electrical shock. If the power cord is damaged, have it replaced by an authorized Products service center.

This unit requires a standard 110V-60HZ electrical outlet with 3-pin plug.

The unit should be properly grounded for your safety. The power cord is equipped with a 3-pin plug which mates with 3-pin wall outlets to minimize the possibility of electrical shock. Do not under any circumstances cut or remove the ground wire from the power cord supplied.

Use of extension cords is not recommended.

To prevent accidental injury, secure the cord behind the wine cooler so that it is not left exposed or dangling.

Operating Your Wine Cooler

It is recommended that you install the wine cooler in a place where the ambient temperature is between 50 and 80°F (10-26°C). If the ambient temperature is above or below these recommended temperatures, the performance of the unit may be affected. For example, placing it in extreme cold or hot conditions may cause the interior temperature to fluctuate. The range of 46-66°F (8-18°C) may not be reached.

The temperature may fluctuate depending on whether or not the interior light is on or off, so do not leave the light on longer than necessary.

How to use the Display Panel:

The display normally shows the current temperature inside the wine cooler. You can change the set temperature by pressing the “▲” and “▼” buttons. Each press of a button changes the temperature by one degree within the range of 44-66°F.

The third button turns the interior light on or off.

Care And Maintenance

Cleaning your wine cooler

- Unplug the wine cooler and remove the bottles.
- Remove the top of the unit by unfastening the screws and lifting off the top.
- Wash the inside with a solution of warm water and baking soda. The solution should consist of about 2 tablespoons of baking soda to a quart of water. Wipe with a soft cloth dampened in clean water and allow to dry thoroughly.
- Replace the top of the unit.
- The outside of the appliance should be cleaned with a solution of mild detergent in warm water.

Moving your wine cooler

- Remove all the bottles.
- Turn the leveling legs up to the base to avoid damage.
- Keep the appliance in an upright position during transportation.

Troubleshooting

You can solve many common wine cooler problems easily, saving you the cost of a possible service call. Try the suggestions below to see if you can solve the problem before calling a service center.

PROBLEM	POSSIBLE CAUSE
Wine cooler does not operate.	Not plugged in. Incorrect voltage. Circuit breaker tripped or fuse blown.
Wine cooler is not cold enough.	Check the temperature control setting. External environment may require a colder setting.
The light does not work.	Check with the service center.
Vibrations	Check to be sure the wine cooler is level.
The wine cooler seems to make too much noise.	The wine refrigerator is not level. Check the fans.
No LED display	Main control board does not work. PCB problem. There is a problem with the plug.
LED display error	Weak quality of display. Temperature setting is out of range.
Buttons are not functional.	Temperature controller panel is damaged.

SERVICE & IMPORTANT NOTICE

Upon receipt and inspection of the unit, check if the power cord is damaged. If so, it must be replaced.

For additional information or questions, please call our Customer Service line at **1-800-932-4267**, or contact us on the web at **www.summitappliance.com/support**.

WARNING: Please do not use where children can touch the unit. Do not let children use the unit by themselves.

Limited Warranty

ONE-YEAR LIMITED WARRANTY

Within the 48 contiguous United States, for one year from the date of purchase, when this appliance is operated and maintained according to instructions attached to or furnished with the product, warrantor will pay for factory-specified parts and repair labor to correct defects in materials or workmanship. Service must be provided by a designated service company. Outside the 48 states, all parts are warranted for one year from manufacturing defects. Plastic parts, shelves and cabinets are warranted to be manufactured to commercially acceptable standards, and are not covered from damage during handling or breakage.

ITEMS WARRANTOR WILL NOT PAY FOR:

1. Service calls to correct the installation of your appliance, to instruct you how to use your appliance, to replace or repair fuses or to correct wiring or plumbing.
2. Service calls to repair or replace appliance light bulbs or broken shelves. Consumable parts (such as filters) are excluded from warranty coverage.
3. Damage resulting from accident, alteration, misuse, abuse, fire, flood, acts of God, improper installation, installation not in accordance with electrical or plumbing codes, or use of products not approved by warrantor.
4. Replacement parts or repair labor costs for units operated outside the United States.
5. Repairs to parts or systems resulting from unauthorized modifications made to the appliance.
6. Expenses for travel and transportation for product service in remote locations.
7. The removal and reinstallation of your appliance if it is installed in an inaccessible location or is not installed in accordance with published installation instructions.

DISCLAIMER OF IMPLIED WARRANTIES – LIMITATION OF REMEDIES

CUSTOMER'S SOLE AND EXCLUSIVE REMEDY UNDER THIS LIMITED WARRANTY SHALL BE PRODUCT REPAIR AS PROVIDED HEREIN. IMPLIED WARRANTIES, INCLUDING WARRANTIES OF MERCHANTABILITY OR FITNESS FOR A PARTICULAR PURPOSE, ARE LIMITED TO ONE YEAR. WARRANTOR SHALL NOT BE LIABLE FOR INCIDENTAL OR CONSEQUENTIAL DAMAGES. SOME STATES DO NOT ALLOW THE EXCLUSION OR LIMITATION OF INCIDENTAL OR CONSEQUENTIAL DAMAGES, OR LIMITATIONS ON THE DURATION OF IMPLIED WARRANTIES OF MERCHANTABILITY OR FITNESS, SO THESE EXCLUSIONS OR LIMITATIONS MAY NOT APPLY TO YOU. THIS WARRANTY GIVES YOU SPECIFIC LEGAL RIGHTS AND YOU MAY ALSO HAVE OTHER RIGHTS, WHICH VARY FROM STATE TO STATE.

WARNING! This product may contain chemicals known to the state of California to cause cancer or birth defects or other reproductive harm. For more information, visit: www.summitappliance.com/prop65

Chemicals known by the manufacturer to be present in this product in concentrations higher than threshold limits: NONE.

FELIX STORCH, INC.
770 Garrison Avenue
Bronx, NY 10474
Phone: (718) 893-3900
Fax: (718) 842-3093
www.summitappliance.com

The logo for Summit Appliance, featuring the word "SUMMIT" in a bold, blocky, sans-serif font. The letters are black with a white outline, and the "S" and "M" are particularly large and prominent.

For parts and accessory ordering,
troubleshooting and helpful hints, visit:
www.summitappliance.com/support