

SUMMIT

INTEGRATED WINE CELLARS



Model VC28S



Model VC60D

INSTRUCTION MANUAL

Please read this manual carefully before installing and starting up, and store it in a safe place.

Write Serial Number here:

Felix Storch, Inc.
Summit Appliance Division
770 Garrison Avenue
Bronx, New York 10474
Tel.: 718-893-3900
Fax: 718-842-3093
www.summitappliance.com

TABLE OF CONTENTS

IMPORTANT SAFEGUARDS	2 - 3
DISPOSAL	3
PRODUCT FEATURES	4
INSTALLATION	5 – 8
Before using your wine cellar	5
Installation of your wine cellar	5
Fully integrated built-in-column installation	6
Electrical connection	7
Extension cord	7
Installing the handle	8
Reversing the door hinge	8
OPERATING YOUR WINE CELLAR	9 – 16
Use and control – single zone	9 – 10
Use and control – dual zone	10 – 12
Temperature display	12
Temperature memory function	12
Temperature alarm	12
Door alarm	12
Interior light	12 - 13
Dynamic climate / Silent mode	13
Sabbath mode	13
Cabinet shelves	13
Defrosting / Humidity / Ventilation	14
Bottle storage	14
Wine serving temperature chart	15
Important information about temperature	15
Notes on wine storage	16
CARE AND MAINTENANCE	17 – 18
Removing shelves	17
Cleaning your wine cellar	17
Power failure	17 – 18
Vacation tine	18
Moving your wine cellar	18
Energy saving tips	18
PROBLEMS WITH YOUR WINE CELLAR	19 - 20
LIMITED WARRANTY	23

IMPORTANT SAFEGUARDS

When using an electrical appliance, basic precautions should always be followed. Read all instructions carefully, even if you are already familiar with the appliance.

General Safety

Before the appliance is used, it must be properly positioned and installed as described in this manual, so read the manual carefully. To reduce the risk of fire, electric shock, or injury when using the appliance, follow basic precautions, including the following:

DANGER

- Plug into a grounded 3-prong outlet. Do not remove grounding prong, do not use an adapter, and do not use an extension cord.
- A separate circuit serving only your appliance must be provided. Use receptacles that cannot be turned off by a switch or pull chain.
- Never clean appliance parts with flammable fluids. These fumes can create a fire hazard or explosion. And do not store or use gasoline or other flammable vapors and liquids in the vicinity of this or any other appliance. The fumes can create a fire hazard or explosion.
- Before proceeding with cleaning and maintenance operations, make sure the power line of the unit is disconnected.

- Do not connect or disconnect the electric plug when your hands are wet.
- Unplug the appliance or disconnect power before cleaning or servicing. Failure to do so can result in electrical shock or death.
- Do not attempt to repair or replace any part of your appliance unless it is specifically recommended in this manual. All other servicing should be referred to a qualified technician.
- Replace all panels after service before operating.

WARNING

- The appliance is intended to be used for the storage of wine.
- Use two or more people to move and install the appliance. Failure to do so can result in back or other injury.
- Do not store or install the appliance outdoors.
- To ensure proper ventilation for your appliance, the front of the unit must be completely unobstructed. Choose a well-ventilated area with temperatures above 60°F (16°C) and below 90°F (32°C). This unit must be installed in an area protected from the elements, such as wind, rain, water spray or drips.
- The appliance must be installed with all electrical, water and drain connections in accordance with

state and local codes. A standard electrical supply (115V AC only, 60 Hz), properly grounded in accordance with the National Electrical Code and local codes and ordinances, is required.

- Do not kink or pinch the power supply cord of the appliance.
- The size of the fuse (or circuit breaker) should be 15 amperes.
- Never allow children to operate, play with or crawl inside the appliance.
- Do not use solvent-based cleaning agents or abrasives on the interior. These cleaners may damage or discolor the interior.
- Use this appliance only for its intended purpose as described in this manual.
- Keep fingers out of the “pinch point” areas. Clearances between the door and cabinet are necessarily small. Be careful closing the door when children are in the area.
- If your model requires defrosting, never use an ice pick or other sharp instrument to help speed up defrosting. These instruments can puncture the inner lining or damage the cooling unit. Never use an appliance with a damaged refrigerant circuit.
- Do not use mechanical devices or other means to accelerate the defrosting process, other than those recommended by the manufacturer.
- Keep ventilation openings, in the appliance enclosure or in the built-in structure, clear of obstruction.

- If you have a lockable appliance, do not keep the key near the appliance or within reach of children.

Disposal

Dispose of your appliance packaging properly. Ensure that any plastic wrappings, bags, etc. are disposed of safely and kept out of the reach of babies and young children. Danger of suffocation!

Refrigeration equipment must be properly disposed of in a professional and appropriate way, in accordance with the current local regulations and laws which protect the environment. This applies to your old appliance and to your new unit once it has reached the end of its service life.



Risk of child entrapment!

Child entrapment and suffocation are not just problems of the past. Junked or abandoned appliances are still dangerous, even if they will “just sit for a few days”.

Before discarding your old refrigerator:

- *Take off the doors.*
- *Leave the shelves in place so that children may not easily climb inside.*

SAVE THESE INSTRUCTIONS

PRODUCT FEATURES

- Built-in (integrated) installation with single (VC28S) or dual (VC60D) temperature zone.
- Continuously variable electronic temperature control with digital display and touchpad input.
- Temperature can be set from 41° to 72°F (5° to 22°C) for either compartment and can be displayed in either Fahrenheit or Celsius degrees.
- Can be set at a long time storage maturing temperature or at a specific serving temperature for red/white/sparkling wines.
- Cools and heats to maintain the perfect storage and/or service condition.
- Dynamic compressor cooling to ensure interior air circulation with even distribution of temperature and humidity.
- Soft white LED Interior Light with ON/OFF switch – Function and Showcase modes.
- Open-door and temperature warning system.
- Sabbath mode allows the lights to remain off during certain religious observances.
- Temperature memory function - If power is interrupted (power surge, breaker switch, etc.) and then powered up again, the unit will operate with the last temperature set-point.
- Automatic defrosting with defrost water evaporation.
- Reversible tempered smoked glass door protects your wine from UV light and creates an attractive display with little condensation and low noise.
- Black coated matte steel outer frame and black plastic interior liner offer lifetime performance and stability. The black liner prevents excessive light from interfering with the maturing process.
- Seamless stainless steel-framed glass door with stainless steel handle.
- Roll-out, adjustable solid varnished beech shelves allow for maximum convenience and flexibility to accommodate various size bottles.

INSTALLATION

BEFORE USING YOUR WINE CELLAR

1. Remove all exterior and interior packing. Clean the interior surface with lukewarm water using a soft cloth. The unit may have residual odors at first, they will disappear as the unit cools.
2. Before connecting the Wine Cellar to the power source, let it stand upright for at least 2 hours. This will reduce the possibility of a malfunction in the cooling system caused by handling during transportation.
3. The door on this appliance can be opened from either the left or the right side. The unit is delivered with the door opening on the left side. Should you wish to open the door from the right, follow the instructions “Reversing the door hinge” on page 8.
4. Install the handle on the door if necessary.

INSTALLATION OF YOUR WINE CELLAR

1. This appliance is only designed to be built-in (integrated).
Warning: Do not store or install the appliance outdoors.
2. Place your appliance on a surface that is strong enough to support it when fully loaded.
3. For built-in installation, it is a must to keep 5mm (0.2”) of space on each side and at the top and 50mm (2”) at the rear to ensure proper service access and ventilation. Take care that the bottom of the appliance is not

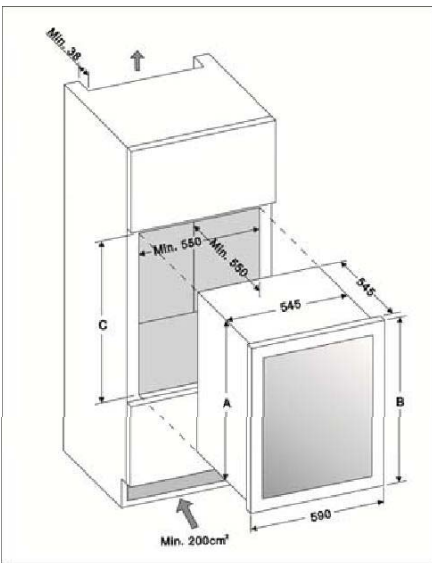
blocked in any way so that air circulation can occur freely.

4. Locate the unit away from direct sunlight and sources of heat (stove, heater, radiator, etc.). Direct sunlight may affect the finish and heat sources may increase electrical consumption. Extremely cold ambient temperatures may also cause the unit not to perform properly.
5. Avoid locating the unit in damp areas.
6. Plug the unit into an exclusive, easily accessible plug socket. Any questions concerning power and/or grounding should be directed towards a qualified electrician or an authorized products service center.
7. The appliance must be installed to all electrical, plumbing, water and drain connections in accordance with state and local codes.
8. **IMPORTANT: High Humidity Climate**
During periods of high humidity, some condensation may appear on the outside surface of the glass door. This condensation will disappear when humidity levels drop. For prevention, it is advisable to install the appliance with sufficient ventilation in a dry and/or an air-conditioned place.

Note: Make sure that the socket and ON/OFF switch are easily accessible after the appliance has been installed.

FULLY INTEGRATED BUILT-IN-COLUMN INSTALLATION

The wine cellar door seals the installed unit almost completely, so an air vent must be provided in the base of the housing. Warmed air must be conducted via the ventilation shaft to the rear wall of the housing and then expelled upwards. The ventilation channels should measure at least 31 in² (200 square centimeters) in cross-section.



Model	A	B	C
VC28S	17.36" (44.1cm)	17.91" (45.5cm)	17.72" (45cm)
VC60D	34.29" (87.1cm)	34.84" (88.5cm)	34.37-34.57" (87.3-87.8cm)

Warning: To ensure the proper functioning of the appliance, air vents should never be blocked or covered.

ELECTRICAL CONNECTION

Warning: Improper use of the grounded plug can result in the risk of electrical shock. If the power cord is damaged, have it replaced by a qualified electrician or an authorized service center.

This appliance should be properly grounded for your safety. The power cord is equipped with a three-prong plug which mates with standard three-prong wall outlets to minimize the possibility of electrical shock.

Do not under any circumstances cut or remove the third (ground) prong from the power cord supplied.

All electrical work should be carried out by a suitably qualified and competent person in accordance with local and national safety regulations.

Check that the voltage marked on the product corresponds with your supply voltage.

This appliance requires a standard 115/120V AC ~ 60Hz three-prong grounded electrical outlet. Have the wall outlet and circuit checked by a qualified electrician to make sure the outlet is properly grounded. When a standard 2-prong wall outlet is encountered, it is your responsibility to have it replaced with a properly grounded 3-prong wall outlet.

The appliance must not be used with a plug adapter as these can cause damage to the appliance's electronic unit.

The cord should be placed securely

behind the appliance and should not be allowed to lie or hang unprotected.

The appliance should always be plugged into its own individual electrical outlet which has a voltage rating that matches the rating label on the appliance. This provides the best performance and also prevents overloading house wiring circuits that could cause a fire hazard from overheating. Never unplug the appliance by pulling on the power cord. Always grip the plug firmly and pull straight out from the receptacle. Repair or replace immediately all power cords that have become frayed or otherwise damaged. Do not use a cord that shows cracks or abrasion damage along its length or at either end. When moving the appliance, be careful not to damage the power cord.

Warning:

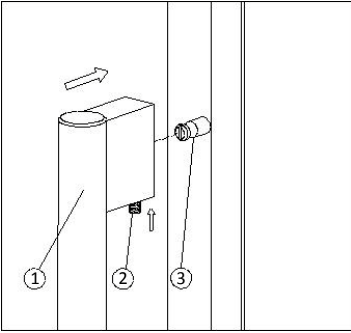
THIS APPLIANCE MUST BE GROUNDED.

EXTENSION CORD

Because of potential safety hazards under certain condition, it is strongly recommended that you do not use an extension cord with this appliance. However, if you must use an extension cord, it is absolutely necessary that it be a UL/CUL-Listed, 3-wire grounding type plug and outlet and that the electrical rating of the cord be 115 volts and at least 10 amperes.

INSTALLING THE HANDLE

IMPORTANT: Do not over-tighten the screws and do not use power tools to install the handle.



Locate the handle (1) over the pins (3) of the door and tighten the handle by screwing the Allen key grub screws (2).

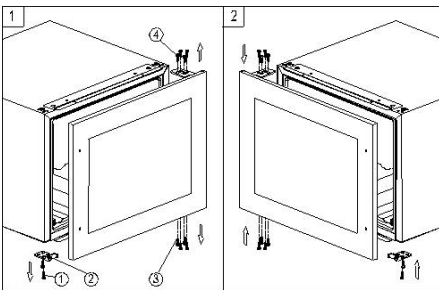
2. Unscrew and transfer the door supporter (2) to the opposite side.
3. Rotate the glass door 180° and refit the glass door to the opposite side. Then screw and tighten it after the door is leveled.
4. Remove the handle from the left side of the door and install it on the right side.

REVERSING THE DOOR HINGE

It is possible to reverse the door on this appliance, if required.

To do so, follow the steps below:

Note: All parts must be saved for reinstallation of the door.



1. Remove the glass door by unscrewing the eight lock screws (3) and (4). Be careful to hold the glass door firmly after removing the screws and place it on a padded surface to avoid the risk of damage.

OPERATING YOUR WINE CELLAR

This appliance is designed for operation at certain ambient temperatures. The climate class is specified on the rating plate.

The appliance may not work properly if it is left for a long period at a temperature outside the specified range. For example, placing your unit in extremely cold or hot conditions may cause interior temperatures to fluctuate. The range between 41°F and 72°F (5°C and 22°C) may not be reached.

Climate class	Ambient room temperatures	
SN	50°F to 90°F	(10°C to 32°C)
N	61°F to 90°F	(16°C to 32°C)
ST	64°F to 100°F	(18°C to 38°C)
T	64°F to 109°F	(18°C to 43°C)

Notes:


- **When you use the Wine Cellar for the first time or restart the Wine Cellar after having been shut off for a long time, there could be a few degrees difference between the temperature you select and the one indicated on the LED readout. This is normal and is due to the length of the activation time. Once the Wine Cooler has been running for a few hours everything will be back to normal.**
- **If the unit is unplugged, power lost, or turned off, you must wait 3 to 5 minutes before restarting the unit. If you attempt to restart before this time delay, the unit will not start.**


USE AND CONTROL – SINGLE ZONE

The Controls of Your VC28S Wine Cellar



Power

To turn the appliance on/off, press and hold the  key for 5 seconds.

Note: Pressing the  key once can switch off the audible alarm when the alarm is on.

Light

To turn the inner light on/off.

Up

Used to increase (warm) the set temperature by 1°C/1°F.

Down

Used to decrease (cool) the set temperature by 1°C/1°F.

Display

Displays the digital temperature and service indicators.

Indicator Light

The indicator light is located at the left lower corner of the display. The indicator light will be on when the multi-key function is selected. To perform the multi-key function, press and hold the

first key, then press the second key the required number of times and then release both keys.

°F/°C Selector

Select the temperature display setting in Fahrenheit or Celsius degrees. To change the temperature from Fahrenheit to Celsius or from Celsius to Fahrenheit, press and hold the **Light** key for 5 seconds.

Setting the Temperature Control

- The VC28S has a single temperature zone. The temperature can be set between 41°F and 72°F (5°C and 22°C) which is ideal for storing red, white or sparkling wine.
- When the unit is plugged in for the first time, the unit will power up automatically to the preset defaults. The temperature preset at the factory is 12°C/54°F.
- You can set the temperature as required by pressing the **Up** or **Down** key. When you press either key the first time, the display will show the last temperature set previously. The temperature will increase 1°C/1°F if you press the **Up** key once, and will decrease 1°C/1°F if you press the **DOWN** key once. The display flashes while you make the setting.
- After the temperature has been set, the display shows the current inner temperature.
- To view the set temperature at any time, press the **Up** or **Down** key. The


set temperature will temporarily flash on the display for 5 seconds. Then the display shows the current inner temperature again.


USE AND CONTROL – DUAL ZONE

The Controls of Your VC60D Wine Cellar



Power

To turn the appliance on/off, press and hold the  key for 5 seconds.

Note: Pressing the  key once can switch off the audible alarm when the alarm is on.

Up

Used to increase (warm) the set temperature by 1°C/1°F.

Down

Used to decrease (cool) the set temperature by 1°C/1°F.

Light

To turn the inner light on/off.

Display

Digitally displays the temperature and service indicators.

■ is for **Upper** temperature zone and ■ is for **Lower** temperature zone.

Indicator Light

The indicator light is located at the left lower corner of the display. The indicator light will be on when the multi-key function is selected. To perform the multi-key function, press and hold the first key, then press the second key the required number of times and then release both keys.

°F/°C Selector

Select the temperature display setting in Fahrenheit or Celsius degrees. To change the temperature from Fahrenheit to Celsius or from Celsius to Fahrenheit, press and hold the **Light** key for 5 seconds.

Setting the Temperature Control

The unit has two separate temperature zones. The temperature of both zones can be set between 41°F and 72°F (5°C and 22°C). The **Lower** temperature zone is ideal for storing red wine at a setting of 55°F to 72°F (13°C to 22°C). The **Upper** temperature zone is suitable for storing champagne and white wine at a setting of 41°F to 55°F (5°C to 13°C).

- When the unit is plugged in for the first time, it will power up automatically to the preset defaults. The preset temperature at the factory

for the **Upper** temperature zone is 10°C/50°F and for the **Lower** temperature zone is 16°C/60°F.

- You can press the left side **Up** and **Down** keys to control the internal temperature of the **Upper** temperature zone and press the right side **Up** and **Down** keys to control the internal temperature of the **Lower** temperature zone. When you press either key the first time, the display will show the last temperature set previously.

Note: The temperature set for the Lower temperature zone must always be just as high or higher than that in the Upper temperature zone. For optimal performance, the set temperature of the two zones should differ by at least 7F° (4C°).

- The temperature that you desire to set will increase 1°C or 1°F if you press the **Up** mark once. On the other hand, the temperature will decrease 1°C or 1°F if you press the **Down** mark once. The display flashes while you make the setting.
- After the temperature has been set, the display shows the current inner temperature of the particular temperature zone.
- To view the set temperature at any time, press the **UP** or **Down** key. The set temperature will

flash in the display for 5 seconds.
Afterwards, the display will show the current inner temperature again.

TEMPERATURE DISPLAY

During normal operation, the temperature display on the control panel shows the temperature inside the appliance.

The temperature display will flash if

- A different temperature is being set,
- The temperature in the zone deviates by more than 9F° (5C°) from the set temperature.

The flashing of the temperature display ensures that the temperature can not rise or fall unnoticed and damage the wine.

TEMPERATURE MEMORY FUNCTION

In the event of a power interruption (power surge, breaker switch, etc.), the unit can remember the previous temperature settings, and when the power is recovered, the cabinet temperature will return to the same temperature setting as before the power went off.

TEMPERATURE ALARM

An alarm will sound if the temperature in one of the zones rises or falls outside the temperature range. The relevant temperature display will flash at the same time.

The temperature the appliance is set at determines the temperature the

appliance recognizes as being too warm or too cool.

The alarm will sound and the temperature display will flash:

- When you switch the appliance on, if the temperature inside the appliance is very different from the set temperature.
- When there has been a lengthy interruption to the power supply.
- When too many items have been put into the unit at one time.
- When the door has not been closed tightly.

DOOR ALARM

If the door has been left open for more than 60 seconds, the alarm will sound.

Once the set temperature has been reached in the appliance, the alarm stops and the relevant temperature display stops flashing. However, if the noise disturbs you, you can switch the alarm off before this if you wish by pressing the **Power** key once. The alarm will stop. The relevant temperature display continues to flash until the set temperature has been reached. The display then lights up steadily, and the alarm system is fully active again.

INTERIOR LIGHT

The interior light makes it easy to view your wine labels and enhances the display of your collection. Touching the **Light**

mark toggles between 2 modes of operation for the internal lights: functional (default) mode and showcase mode. If you are in functional (default) mode, the lights will turn on only when the door is open. If you are in showcase mode, the lights will be on whether or not the door is open.

DYNAMIC CLIMATE / SILENT MODE

The Dynamic Climate mode enables the relative humidity inside the unit and the temperature to be distributed evenly around the interior so you can store all your wine under exactly the same excellent conditions. If you would like to use the unit to store wine long term, the Dynamic Climate mode is a must. This will create a continuous climate in the cabinet which imitates that of a wine cellar.

In the Dynamic Climate mode, the interior fan circulates the inside air evenly even after the set temperature is reached. Dynamic Climate mode is the factory preset mode, creating a soft whirring sound. To change to Silent mode, touch and hold the **Up** key for approximately five seconds. The wine cooler will beep three times to confirm Silent mode is on. To change back to Dynamic Climate mode, touch and hold the **Down** key for approximately five seconds. The wine cooler will beep five times to confirm Dynamic Climate mode is on.

SABBATH MODE

Sabbath mode is available for the observance of certain religious holidays. This mode turns off the displays, interior light and audible alarms and prevents them from turning on again. Normal cooling operations will still take place.

To initiate Sabbath mode, press the **Power** and **Light** keys at the same time for at least 5 seconds. The indicator light will flash four times and confirm the Sabbath mode is ON.

Sabbath mode can be exited by repeating the above process. The Sabbath Mode will automatically turn off after 96 hours.

CABINET SHELVES

IMPORTANT - Do not cover any part of the shelves with aluminum foil or any other material that will prevent adequate air circulation within the cabinet.

- To prevent damaging the door gasket, make sure the door is fully open when pulling shelves out of the rail compartment.
- For easy access to the stored bottles, pull the shelves out approximately 1/3. The shelves are designed with an emergency stop to prevent them being removed too far when loaded.

DEFROSTING / HUMIDITY / VENTILATION

Your wine cellar is designed with an automatic defrost system. During “Off-cycle”, the evaporator behind the rear wall of the unit defrosts automatically. The condensate collects in the drain trough behind the rear wall of the unit, and flows through the drainage hole into the drip tray by/above the compressor. The heat is transferred from the discharge pipe or compressor and evaporates any condensation that has collected in the tray. Part of the remaining water is collected within the wine cellar for humidity purposes.

This system enables the creation of the correct humidity level inside your wine cellar required by natural cork to maintain a long-lasting seal.

The wine cellar is not totally sealed: fresh air admission is permitted through the drainpipe. Air is circulated through the cellar by means of a fan/fans and the slotted shelves.

NOTE: However, frost may accumulate on the evaporator if the unit is repeatedly opened in a high heat or high humidity location. If this frost pattern does not clear within 24 hours, your unit will require manual defrosting.

BOTTLE STORAGE

Bottles differ in size and dimensions. As such, the actual number of bottles you may be able to store can vary.

Stated bottle capacities are approximate

maximums when storing traditional Bordeaux 750-ml bottles and include bulk storage.

You may load your wine bottles in single row or by stacking while taking note of the following: if you do not have enough bottles to fill your wine cellar, it is better to distribute the load throughout the wine cellar so as to avoid “all on top” or “all below” type loads.

Remove or relocate adjustable wooden shelves to accommodate larger type of bottles or increase the capacity of the cellar by stacking the bottles up when necessary. (See “Removing Shelves”.)

- Keep small gaps between the walls and the bottles to allow air to circulate. As in an underground cellar, air circulation is important to prevent the growth of mold and to achieve a more homogeneous temperature within the cellar.
- To facilitate air circulation, do not overload your wine cellar.
- Avoid obstructing the internal fans (located inside on the back panel of the wine cellar).
- To prevent bottles from falling, do not try to slide the shelves outward beyond the fixed position.
- Do not pull out more than one loaded shelf at a time as this may cause the wine cellar to tilt forward if not properly installed.

WINE SERVING TEMPERATURE CHART

The chart below indicates the best temperature for drinking purposes.

Wine Style	°C	°F
Champagne NV, Sparkling, Spumante	6	43
Dry White Semillon, Sauvignon Blanc	8	46
Champagne Vintage	10	50
Dry White Chardonnay	10	50
Dry White Gewürztraminer, Riesling, Pinot grigio	10	50
Sweet White Sauternes, Barsac, Montbazillac, Ice Wine, Late Harvest	10	50
Beaujolais	13	55
Sweet White Vintage: Sauternes	14	57
White Vintage Chardonnay	14	57
Red Pinot Noir	16	61
Red Grenache, Syrah	16	61
Red Vintage Pinot Noir	18	65
Cabernet & Merlot: French, Australian, New Zealand, Chilean, Italian, Spanish, Californian, Argentinean	20	68
Vintage Bordeaux	Room temperature not exceeding 20°C/68°F	

IMPORTANT INFORMATION ABOUT TEMPERATURE

Your wine cellar has been designed to guarantee optimum conditions for storing and/or serving your wines.

Fine wines require long and gentle development and need specific conditions in which to reach their full potential.

All wines mature at the same temperature, which is a constant temperature set between 11°C to 14°C. Only the temperature of “dégustation” (wine appreciation) varies according to the type of wine (see “Wine Serving Temperature Chart” on the previous page). This being said and as it is for natural cellars used by wine producers for long period of storage, it is not the exact temperature that is important, but its consistency. In other words, as long as the temperature of your wine cellar is constant (between 11°C to 14°C, or 52°F to 57°F) your wines will be stored under perfect conditions.

Not all wines will improve over the years. Some should be consumed at an early stage (2 to 3 years) while others have tremendous ageing capability (50 years and over). All wines have a peak of maturity. Check with your wine merchant to get the relevant information.

NOTES ON WINE STORAGE

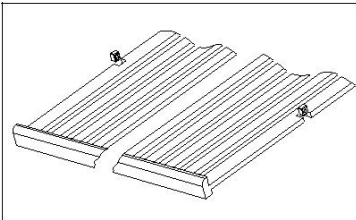
- Only store wine in unopened bottles. Always lay bottles on their side for storage.
- Do not overload the cabinet.
- Do not open the door unless necessary.
- Do not cover shelves with aluminum foil or any other shelf material which may prevent air circulation.
- If the wine cooler is to be left empty for long periods, unplug the appliance and after careful cleaning, leave the door ajar to allow air to circulate inside the cabinet in order to reduce the possible formation of condensation, mold or odors.

CARE AND MAINTENANCE

Warning: Failure to unplug the appliance during service and cleaning could result in electrical shock or other personal injury.

REMOVING SHELVES

- To remove any of the shelves from the rail compartment, move the shelf to the position where the notch of the wooden shelf is exactly under the plastic post and then lift it up and out.



- In order to replace the shelf, repeat the steps described above in reverse. And make sure to engage the shelves with the small pegs of the extended rails when the model is equipped with a roller system.

CLEANING YOUR WINE CELLAR

- Turn off the power, unplug the appliance and remove all items, including shelves/racks.
- Wash the inside surfaces with a warm water and baking soda solution. The solution should be about 2 tablespoons of baking soda to a pint of water.
- Wash the shelves with a mild detergent solution.
- Wring excess water out of the sponge or cloth when cleaning any

area of the controls.

- Wash the outside cabinet with warm water and mild liquid detergent. Rinse well and wipe dry with a clean soft cloth.
- **Do not clean the stainless steel with steel wool pads.** Instead, use an all-in-one stainless steel cleaner to clean the stainless steel. Always wipe in the direction of the grain.

POWER FAILURE

- In the event of a power interruption, all previous temperature settings are automatically memorized. If power is interrupted (power surge, breaker switch, etc.) and then powered up again, the unit will operate with the last temperature set-point.
- Most power failures are corrected within a few hours and should not affect the temperature of your appliance if you minimize the number of times the door is opened. If the power is going to be off for a longer period of time, you need to take the proper steps to protect the contents.

Note: Irrespective of the cause, if you notice either abnormal temperature or humidity levels inside your wine cellar, be reassured that only long

and frequent exposure to these abnormal conditions can cause a detrimental effect on your wines.

VACATION TIME

- **Short holidays:** Leave the Wine Cellar in operation for holidays of less than three weeks.
- **Long absences:** If the appliance will not be used for several months, remove all items, turn off the appliance and unplug. Clean and dry the interior thoroughly. To prevent odor and mold growth, leave the door open slightly, blocking it open if necessary.

MOVING YOUR WINE CELLAR

- Remove all items.
- Securely tape down all loose items (shelves) inside your appliance.
- Tape the door shut.
- Be sure the appliance stays secure in the upright position during transportation. Also protect the outside of the appliance with a blanket or similar item.

ENERGY SAVING TIPS

- The wine cellar should be located in the coolest area of the room, away from heat-producing appliances and out of the direct sunlight.
- Ensure that the unit is adequately ventilated. Never cover air vents. Clean dust and dirt from the condenser at regular intervals.
- Do not keep the door open longer

than necessary.

- Store contents in an organized way.
- To allow air to circulate, do not overfill the appliance.

PROBLEMS WITH YOUR WINE CELLAR

You can solve many common Wine Cellar problems easily, saving you the cost of a possible service call. Try the suggestions below to see if you can solve the problem before calling customer service.

Troubleshooting Guide

PROBLEM	POSSIBLE CAUSE	REMEDY
Appliance does not operate.	<ul style="list-style-type: none"> • Appliance is not connected to a power supply. • The appliance is turned off. • Tripped circuit breaker or blown fuse. 	<ul style="list-style-type: none"> • Connect the appliance. • Switch on the appliance. • Switch on circuit breaker or replace fuse.
Appliance is not cold enough.	<ul style="list-style-type: none"> • The temperature is not set correctly. • The ambient temperature could require a higher temperature setting. • The door was opened too often. • The door was not closed completely. • Door is not hermetically sealed. • The condenser is dirty. • The ventilation opening is blocked or too dusty. 	<ul style="list-style-type: none"> • Check the set temperature. • Set a higher temperature. • Do not open the door more often than necessary. • Close door properly. • Check the door seal and clean or replace. • Clean the condenser when necessary. • Clear the obstructions and clean the dust.
Appliance turns itself on and off frequently.	<ul style="list-style-type: none"> • The room temperature is higher than average. • A large number of bottles has been added to the unit. • The door is opened too often. • The door is not closed completely. • The door gasket does not seal properly. 	<ul style="list-style-type: none"> • Put the appliance in a cooler place. • Leave the appliance to work for a while until the set temperature has been reached. • Do not open the door more often than necessary. • Close the door properly. • Check the door seal and clean or replace.
The light does not work.	<ul style="list-style-type: none"> • Appliance is not connected to a power supply. • Tripped circuit breaker or blown fuse. • The light was switched off at the control panel. 	<ul style="list-style-type: none"> • Connect the appliance. • Switch on circuit breaker or replace fuse. • Switch on the light.
Vibrations	<ul style="list-style-type: none"> • The appliance is not level. 	<ul style="list-style-type: none"> • Level appliance with the adjustable feet.
The appliance seems to make too much noise.	<ul style="list-style-type: none"> • A rattling noise may come from the flow of refrigerant, which is normal. As each cycle ends, you may hear gurgling sounds caused by the flow of refrigerant in your appliance. If temperature fluctuations occur, the contraction and expansion of the inner walls may cause popping and cracking noises. • The appliance has not been leveled properly. 	

<p>The door will not close completely.</p>	<ul style="list-style-type: none"> • The appliance has not been leveled properly. • The door was reversed and not properly re-installed. • The gasket is dirty. • The shelves are out of position. 	<ul style="list-style-type: none"> • Level the appliance with the adjustable feet. • Check the door hinge and reassemble correctly. • Clean the door gasket. • Check the shelves and refit correctly.
<p>Display shows “E1” or “E2”.</p>	<ul style="list-style-type: none"> • The air temperature sensor has failed. 	<ul style="list-style-type: none"> • Call for service.
<p>The alarm sounds and the temperature display flashes.</p>	<p>Has the appliance door been open for longer than 60 seconds? If not, then the temperature has risen higher or fallen lower than the temperature that has been set. This could be due to:</p> <ul style="list-style-type: none"> • The appliance door being opened too often. • The ventilation slots being covered or too dusty. • A lengthy interruption to the power supply. • A large number of bottles being added to the unit. 	<ul style="list-style-type: none"> • If yes, close the door. • Don't open the door more often than necessary. • Clear the obstructions and clean off the dust. • Let the appliance work a while until the set temperature has been reached.
<p>The icon “—” is lit up and flashing in the temperature display.</p>	<ul style="list-style-type: none"> • The display temperature is out of the permissible range. 	<ul style="list-style-type: none"> • Only temperatures within the range of 0 to 99°F (-9 to 37°C) that the appliance can display will be shown. If the temperature is not within this range, the icon “—” will be displayed instead. This is normal.

NOTES

NOTES

LIMITED WARRANTY

ONE-YEAR LIMITED WARRANTY

Within the 48 contiguous United States, for one year from the date of purchase, when this appliance is operated and maintained according to instructions attached to or furnished with the product, warrantor will pay for factory-specified parts and repair labor to correct defects in materials or workmanship. Service must be provided by a designated service company. Outside the 48 states, all parts are warranted for one year from manufacturing defects. Plastic parts, shelves and cabinets are warranted to be manufactured to commercially acceptable standards, and are not covered from damage during handling or breakage.

5-YEAR COMPRESSOR WARRANTY

1. The compressor is covered for 5 years.
2. Replacement does not include labor.

ITEMS WARRANTOR WILL NOT PAY FOR:

1. Service calls to correct the installation of your appliance, to instruct you how to use your appliance, to replace or repair fuses or to correct wiring or plumbing.
2. Service calls to repair or replace appliance light bulbs or broken shelves. Consumable parts (such as filters) are excluded from warranty coverage.
3. Damage resulting from accident, alteration, misuse, abuse, fire, flood, acts of God, improper installation, installation not in accordance with electrical or plumbing codes, or use of products not approved by warrantor.
4. Replacement parts or repair labor costs for units operated outside the United States.
5. Repairs to parts or systems resulting from unauthorized modifications made to the appliance.
6. Expenses for travel and transportation for product service in remote locations.
7. The removal and reinstallation of your appliance if it is installed in an inaccessible location or is not installed in accordance with published installation instructions.

DISCLAIMER OF IMPLIED WARRANTIES – LIMITATION OF REMEDIES

CUSTOMER'S SOLE AND EXCLUSIVE REMEDY UNDER THIS LIMITED WARRANTY SHALL BE PRODUCT REPAIR AS PROVIDED HEREIN. IMPLIED WARRANTIES, INCLUDING WARRANTIES OF MERCHANTABILITY OR FITNESS FOR A PARTICULAR PURPOSE, ARE LIMITED TO ONE YEAR. WARRANTOR SHALL NOT BE LIABLE FOR INCIDENTAL OR CONSEQUENTIAL DAMAGES. SOME STATES DO NOT ALLOW THE EXCLUSION OR LIMITATION OF INCIDENTAL OR CONSEQUENTIAL DAMAGES, OR LIMITATIONS ON THE DURATION OF IMPLIED WARRANTIES OF MERCHANTABILITY OR FITNESS, SO THESE EXCLUSIONS OR LIMITATIONS MAY NOT APPLY TO YOU. THIS WARRANTY GIVES YOU SPECIFIC LEGAL RIGHTS AND YOU MAY ALSO HAVE OTHER RIGHTS, WHICH VARY FROM STATE TO STATE.

WARNING! This product may contain chemicals known to the state of California to cause cancer or birth defects or other reproductive harm. For more information, visit:

www.summitappliance.com/prop65

Chemicals known by the manufacturer to be present in this product in concentrations higher than threshold limits: NONE.

FELIX STORCH, INC.
770 Garrison Avenue
Bronx, NY 10474
Phone: (718) 893-3900
Fax: (718) 842-3093
www.summitappliance.com



For parts and accessory ordering, trouble-shooting and helpful hints, visit:

www.summitappliance.com/support

Printed in China