



Installation Instructions

Discovery® Touch-Control Induction Cooktop

Models DYT305N and DYT365N



TABLE OF CONTENTS

Important Safety Instructions	1	Installation Instructions	7
Important Information About Safety Instructions	1	Cooktop/Wall-Oven Combination	7
About Safety Symbols and Labels	1	Verifying the Package Contents	8
General Precautions	1	Installing the Cooktop	8
Installation Specifications	3	Connecting the Cooktop Wiring	8
Electrical Specifications	3	Verifying Proper Operation	10
Location Requirements	3	Troubleshooting	10
Cooktop Clearance/Ventilation	3	Installation Checklist	10
Miscellaneous Installation	3	Wiring Diagram	11
Appliance Dimensions	4		
Cabinet Cutout Dimensions	5		

BEFORE YOU BEGIN...

Important:

- **Installer:** In the interest of safety and to minimize problems, read these installation instructions completely and carefully before you begin the installation process. Leave these installation instructions with the customer.
- **Customer:** Keep these installation instructions for future reference and the local electrical inspector's use.

CUSTOMER SERVICE INFORMATION

If You Need Help...

When you make a service call, be prepared to give the Dacor service representative your cooktop's model and serial numbers (printed on the product data label).

For installation questions/issues, call

Dacor Customer Service:

Phone: (800) 793-0093 x2813 (USA, Canada)

Mon – Fri, 6:00 am-5:00 pm Pacific Time

Website: www.dacor.com

For repairs to Dacor appliances under warranty, call

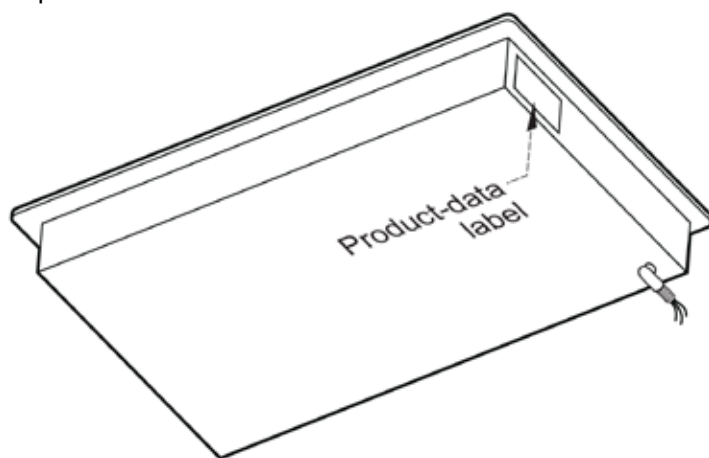
Dacor Distinctive Service:

Phone: (800) 793-0093 x2822 (US, Canada)

Mon – Fri, 6:00 am-5:00 pm Pacific Time

Product Data Label

This label (forward, right-hand side of the cooktop chassis), contains the cooktop's model/serial numbers and electrical requirements.



READ AND SAVE THESE INSTRUCTIONS

All specifications are subject to change without notice.
Dacor® assumes no liability for changes to specifications.

IMPORTANT SAFETY INSTRUCTIONS

Important Information About Safety Instructions

- The **Important Safety Instructions** and warnings in this manual do not cover all possible issues and conditions relative to the appliance; therefore, during installation/maintenance/operation, be cautious and use common sense.
- Always contact Dacor Customer Service (see **If You Need Help...**, previous page) when issues arise that you do not understand or cannot resolve via the Installation Manual and Use and Care Manual.

About Safety Symbols and Labels

These symbols alert you to the possibility of product damage, personal injury, or death if you ignore safety instructions.

WARNING

Hazards/unsafe practices that **COULD** result in severe personal injury or death.

CAUTION

Hazards/unsafe practices that **COULD** cause minor personal injury or property damage.

General Precautions

This section promotes the cooktop's proper/safe/successful operation. Failure to observe these precautions may damage the cooktop, cause it to malfunction, or render it unusable, and puts you and others at risk of injury or even death.

WARNING

- **Concerning the cooktop in general:**
 - Never leave the cooktop operating at power Level 5 or above; boil-overs cause smoke, and greasy spill-overs may ignite.
 - Do not install this appliance outdoors or near water (e.g., pool, stream, pond) whether in-/outdoors.
 - Before using the cooktop, read the Use and Care Manual.
 - If you receive a damaged product, immediately contact your dealer/builder. Do not install/use a damaged appliance.
 - Ensure the cooktop is properly installed and grounded by a qualified installer and as specified in this manual.
 - Ensure the homeowner knows how to turn off power to the appliance at the circuit-breaker panel or fuse box.
 - Install/repair/replace only the parts specified in the cooktop manuals. (A qualified technician must perform all other service.)
- **Concerning cooktop handling/operation:**
 - Clean the cooktop after installation/before first use.
 - Use the cooktop only as the manufacturer intends. (For questions about use, contact Dacor Customer Service.)
 - Do not tamper with the cooktop controls.
 - Do not block any manufacturer-designed holes/airways in the cooktop chassis. (Doing so may cause a fire hazard.)
 - During/after use, do not touch, or let clothing or flammable materials contact the cooktop until it has cooled sufficiently.
 - Ensure no one uses the cooktop without knowing how to operate it properly.
 - When a self-cleaning oven is installed below the cooktop, do not use the cooktop during the oven's self-clean process.
- **Concerning people/pets:**
 - People with pacemakers or other electronic medical devices should know that the electromagnetic field generated by an induction cooktop may interfere with the function of such devices. Consult your doctor or medical-device manufacturer for safety instructions in your particular case. Advise anyone with this medical condition to be cautious around the active cooktop.
 - To avoid serious personal injury or death, never let children sit/stand/climb on the cooktop or play with any part of it.
 - Do not leave children/pets unattended around an operating cooktop.
 - Do not store items of interest to children on/above the cooktop.
 - Heated non-stick coatings release micro-particles that are toxic to birds. When using non-stick cookware, move birds to a separate, well-ventilated room.

IMPORTANT SAFETY INSTRUCTIONS

General Precautions, cont.

WARNING

- **Concerning cooktop service/maintenance:**
 - Before installing/servicing the unit, switch power off at the service panel, then lock the panel to prevent power from being switched on. If the panel cannot be locked, securely/prominently fasten a warning device (e.g., tag) to the service panel.
 - Clean/maintain the cooktop regularly as instructed in the Use and Care manual; a dirty cooktop is a possible fire hazard.
- **Concerning cooking practices:**
 - Use the cooktop only for tasks consistent with a home appliance. This cooktop is not engineered for commercial/industrial use.
 - Do not let pans boil dry.
 - Do not turn the cooktop ON with empty cookware on a cooking element.
 - To prevent steam burns, do not remove cookware from the cooktop with wet potholders, and use extreme caution when adding water to food in a hot pan.
 - To avoid personal injury or appliance damage, use only ferrous (magnetic) cookware.
- **Concerning foreign objects on/above/near the cooktop, do not:**
 - keep items on the cooktop.
 - place plastic items on the hot glass surface.
 - place or cook with aluminum foil *directly* on the glass; the foil can melt and mar the glass.
 - place objects on/near the cooktop controls to avoid accidentally activating the cook zones.
 - keep flammable/explosive vapors and liquids (e.g., paper/plastic/cloth, gas, alcohol, aerosol cans) on or near the cooktop.
 - store flammable/explosive materials in adjacent cabinets or areas (incl. above/below the cooktop).
 - hang flammable/heat-sensitive objects over the cooktop.
 - use window treatments that could blow over the cooktop and create a fire hazard.

CAUTION

- **Concerning scratching or otherwise damaging the cooktop surface, do not:**
 - operate the appliance if the glass is broken or severely pitted. (The cooktop glass resists impact, but foreign objects dropped with enough force can crack or pit it.) Cleaning solutions and spill-overs may penetrate a broken cooktop, creating an electric-shock risk. Contact a qualified technician immediately to replace a damaged/pitted cooktop.
 - set cookware with sharp-edged bottoms, support legs, or lower corners on the cooktop.
 - allow acidic foods/juices (e.g., citrus, pineapple, tomato sauce, wine, cranberry) or foods made with these items, linger on the cooktop surface (wipe the up immediately); remove cooked-on residue with a razor scraper.
 - use a sharp or sharp-edged object (e.g., knife, metal spatula) to clean up spills.
 - slide cookware across the cooktop.
 - place hot cookware on a cold cooktop.

IMPORTANT

Testing found this cooktop model to be within the limits for a Class B digital device, pursuant to Part 18 of FCC rules. These limits are meant to minimize the likelihood of harmful interference to household radio/TV reception from radio-frequency energy, which this appliance uses, generates, and radiates.

If the cooktop is not installed/operated as specified, harmful interference to household radio/TV reception may occur. Even proper installation, however, is no guarantee of prevention. If the cooktop interferes with radio/TV reception (turning the cooktop off and on will determine this), you may be able to correct the interference via any or all of these methods:

- Re-orient/relocate the receiving antenna.
- Increase the distance between the appliance and receiver/antenna.
- Connect the receiver to a different circuit.

INSTALLATION SPECIFICATIONS

Electrical Specifications



IMPORTANT

The cooktop's electrical-connection lead wires may be a smaller gauge than is installed in your home; however, the National Electric Code and local inspection authority specify that smaller-gauge wire is compatible with the larger-gauge wire.

- The owner shall ensure that a licensed electrician installs the electrical supply for the cooktop.
- The electrical installation (incl. minimum supply wire size) must comply with the National Electric Code ANSI/NFPA 70 (latest revision), and local codes and ordinances. To obtain a copy of the standard, contact:
National Fire Protection Association
1 Batterymarch Park
Quincy, Massachusetts 02269-9101
- Correct voltage/frequency/amperage must be supplied to the cooktop from a dedicated, grounded circuit protected by the correctly sized circuit breaker or time-delay fuse. If using the fuse, fuse both sides of the line (L1 and L2).

Total Connected Load*	Dedicated Circuit Required
46.7 Amp. (11.2 kW)	240V, 60 Hz. 3-Wire** 50 Amp.
The specifications in this table are for reference only.	
* See the product-data label for the current and exact specifications.	
** Two 120V hot (L1 and L2), plus one ground (use all-copper wires in all lines)	

- The junction box and the circuit breaker or fuse box must be accessible when the cooktop is in place.

Location Requirements

- Non-combustible material should be installed on the wall behind the cooktop; the surrounding cabinetry must be able to withstand the temperatures (max. 200°F) generated by the cooktop.
- To avoid a fire hazard, do not install the cooktop between two tall cabinets.
- To avoid burn injuries from reaching over an active cooking area, do not install cabinets above the cooktop. (If there are cabinets above the cooktop, install a range hood to discourage/prevent storage in those cabinets.)
- Do not install the cooktop above a drawer. (The cooktop chassis must have sufficient space below for airflow and installation/inspection/service; see **Under-Counter Clearance** section, next page.)
- Follow all electrical specifications.
- Plan all installation aspects around local building codes; consult the local building department for details.)
- Install the junction box within reach of the cooktop's 48-in. (122 cm) power conduit at the bottom-right rear of the chassis.
- Do not install another kitchen appliance below the cooktop.



WARNING

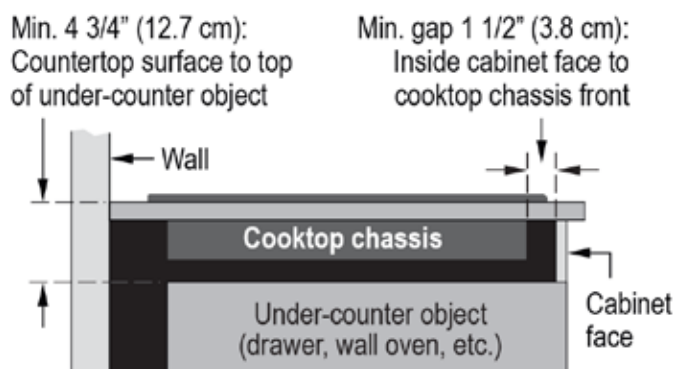
- To reduce risk of fire, and cooktop malfunction/damage, be sure to exceed all min/max clearances in these instructions.
- Do not modify the cooktop's electrical conduit.
- Do not use an extension cord.

Cooktop Clearance/Ventilation

Under-Counter Clearance

For proper ventilation (to prevent a fire hazard), maintain:

- at least 4 3/4" (12.7 cm) clearance from the countertop to *any* surface below (incl. upper edges of drawers)
- 1 1/2" (3.8 cm) minimum clearance between the chassis's front vents and the cabinet's inside wall.



- If the cooktop chassis is fully enclosed, provide ventilation of at least 18 square inches into the enclosure.

Overhead Ventilation

To reduce smoke accumulation and risk of personal injury, a range hood should be installed above the cooktop. The hood should overhang the entire cooktop surface *and* project at least 5 in. beyond the bottom of any overhead cabinets.

Miscellaneous Installation

Countertop

- Always consult the countertop manufacturer for specific installation instructions/requirements.
- The cutout must accept the cooktop chassis's corners.

Fire-Retardant Materials

Some conditions may require installation of flame-retardant materials, which materials are marked:

**UNDERWRITERS LABORATORIES INC.
CLASSIFIED
MINERAL AND FIBER BOARDS.
SURFACE BURNING CHARACTERISTICS**

This mark precedes the flame-spread and smoke ratings. These designations are shown as *FHC (Flame Spread)/(Smoke Developed)*.

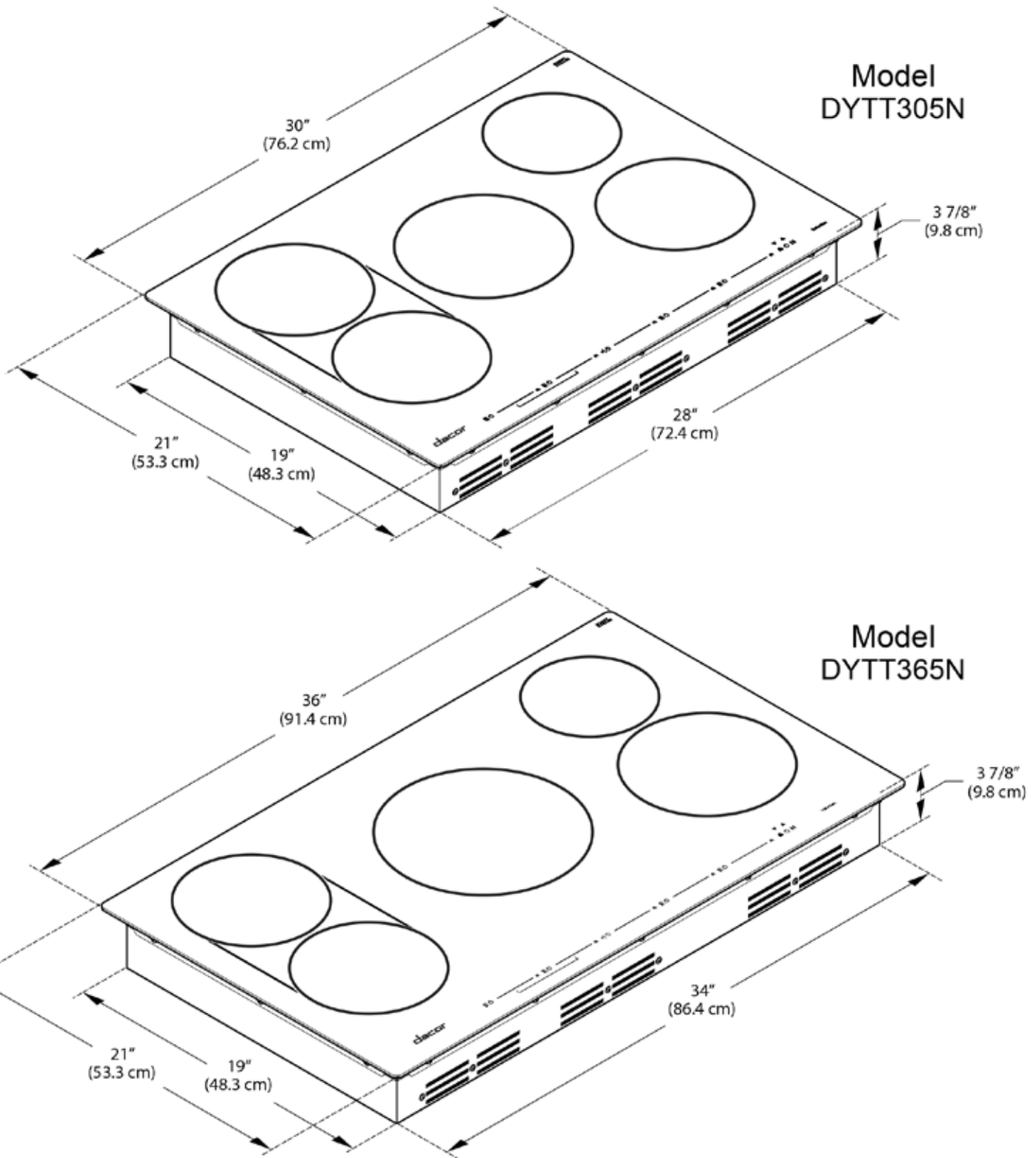
Material with "0" flame-spread rating are flame-retardant. Local codes may allow other flame-spread ratings.

INSTALLATION SPECIFICATIONS

Appliance Dimensions

All tolerances: $\pm 1/16$ (± 1.6 mm), unless otherwise stated

This section contains pertinent appliance dimensions that will help you plan for the countertop cutout and under-counter clearances.



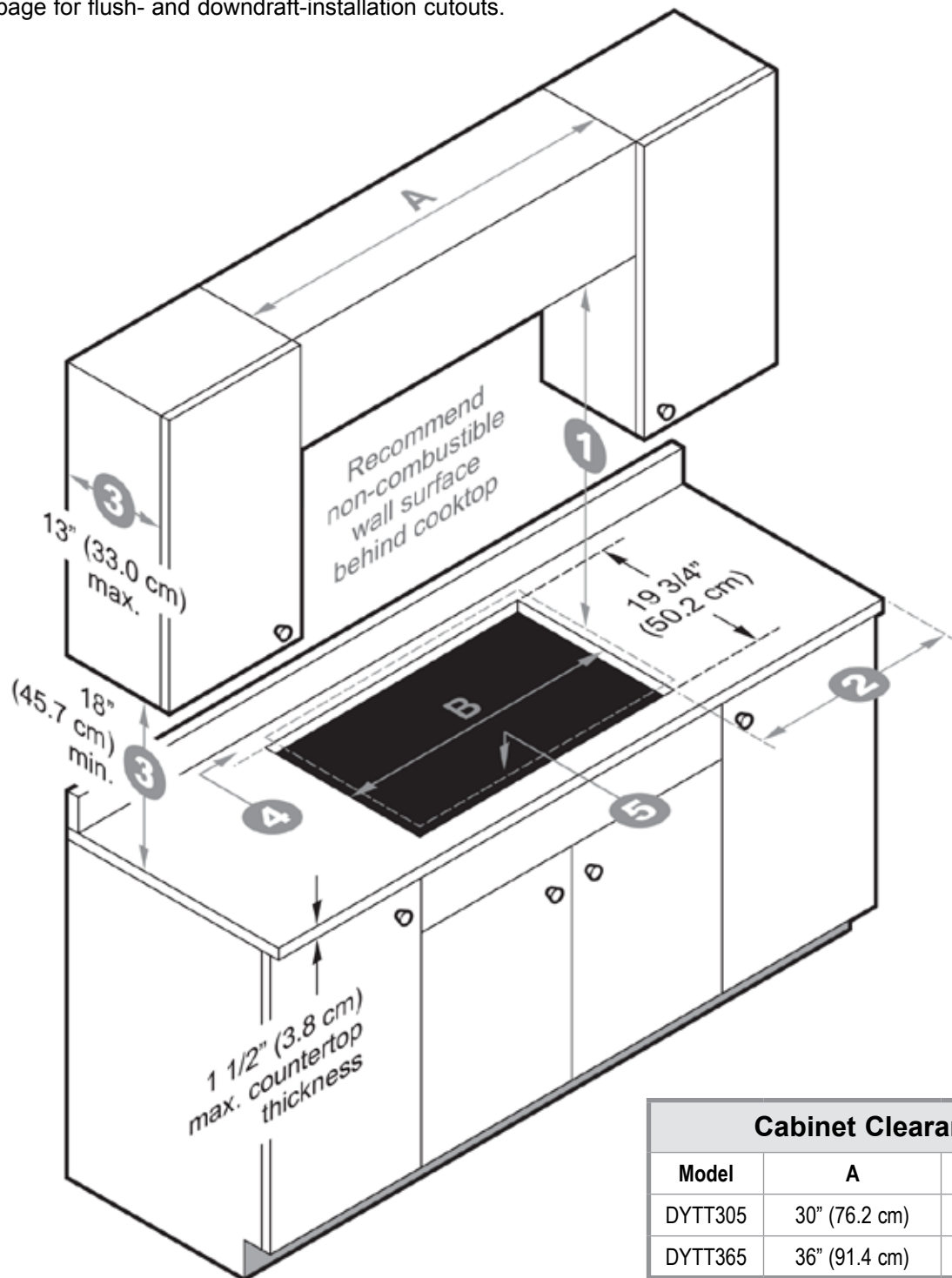
- Chassis depth is 1/2" wider and deeper at the base of the glass cooking surface.
- The cooking surface overhangs the top of the chassis by 3/4" (1.9 cm) in front, back, all around.

INSTALLATION SPECIFICATIONS

Cabinet Cutout Dimensions

All tolerances: $\pm 1/16$ (± 1.6 mm), unless otherwise stated

See the next page for flush- and downdraft-installation cutouts.



Cabinet Clearances		
Model	A	B
DYTT305	30" (76.2 cm)	28 3/4" (73.0 cm)
DYTT365	36" (91.4 cm)	34 3/4" (88.3 cm)

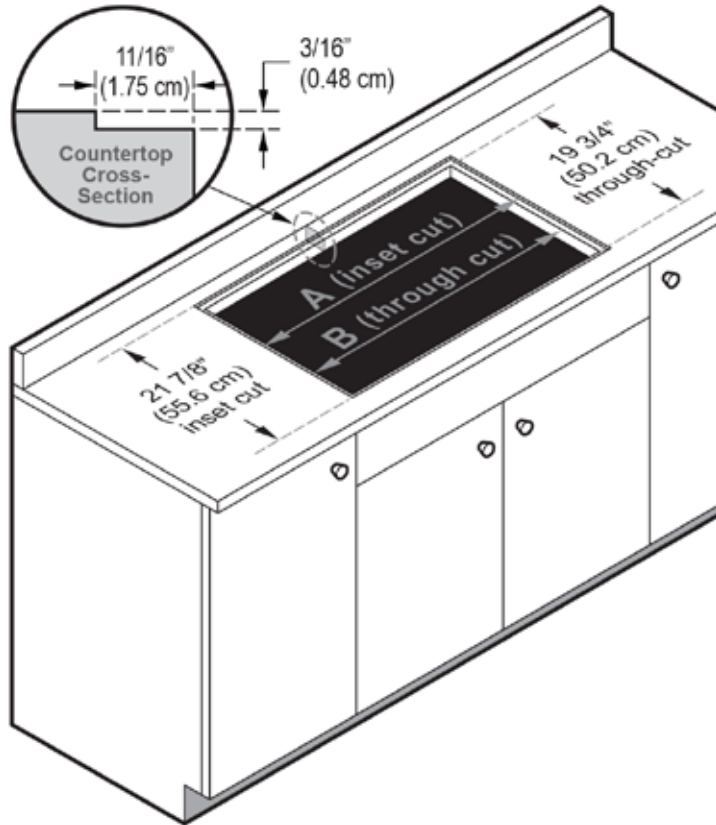
Callout	Description
1	30" min. clearance from cooktop surface and bottom of unprotected wood or metal cabinet
2	Distance to combustible side wall (either side): 2 1/4" (5.7 cm) min. from edge of cooktop surface.
3	If the cooktop side of the upper cabinetry is more than 2 1/4" (5.7 cm) to the left/right of the cooktop edge, Specification 3 does not apply..
4	1 1/8" (2.9 cm) min. to combustible surface at rear; 3/4" (1.9 cm) min. to non-combustible surface at rear.
5	Ensure internal space allows proper under-cabinet ventilation for cooktop chassis. (See Cooktop Clearance/Ventilation , Pg. 3.)

INSTALLATION SPECIFICATIONS

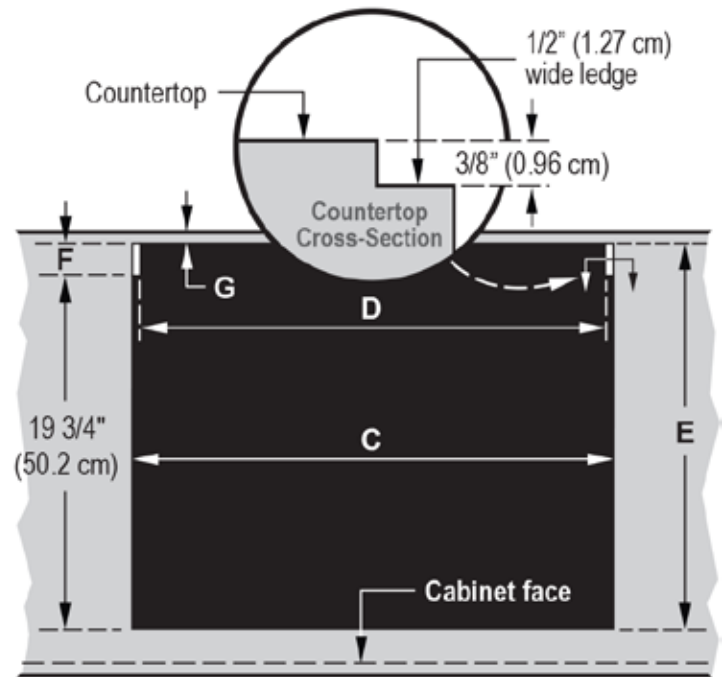
Cabinet Cutout Dimensions, cont.

All tolerances: $\pm 1/16$ (± 1.6 mm), unless otherwise stated

Countertop Inset-Cutout Dimensions



Countertop Flush-Cutout Dimensions— for Down-Draft Vent (top view)



IMPORTANT (Inset Cutout)

See the previous page for minimum clearances to combustibles and overhead cabinets.

Width Dimensions (Inset Cutout)

Model	A	B
DYTT305	30 1/8" (76.5 cm)	28 3/4" (73.0 cm)
DYTT365	36 1/8" (91.8 cm)	34 3/4" (88.3 cm)



IMPORTANT (Flush Cutout for Down-Draft Vent)

- See the previous page for minimum clearances to combustibles and overhead cabinets.
- Install only the downdraft models in the **DYTT Cooktop w/ Downdraft Cutout Dimensions** table (below).
- If installing the cooktop with a downdraft flush with the countertop, see the **Countertop Inset-Cutout Dimensions** section (this page).
- The countertop inset for the downdraft must be lower to accommodate the downdraft's top cap, which extends the height of the downdraft. (See the downdraft's installation instructions, available for download from www.dacor.com, to determine the exact dimensions.)
- Sealing is also required between the cooktop chassis and the downdraft due to the difference in required inset depth.

DYTT Cooktop w/Downdraft Cutout Dimensions

Model Configuration	(C) Cooktop Cutout Width	(D) Downdraft Cutout Width	(E) Total Cutout Width	(F) Downdraft Cutout Depth	(G) Min. Rear Counter Overhang
DYTT305 cooktop w/ ERV3015/PRV30	28 3/4" (73.0 cm)	27 3/4" (70.5 cm)	22 1/2" (57.2 cm)	2 3/4" (7.0 cm)	3/8" (1.0 cm)
DYTT365 cooktop w/ ERV3615/PRV36	34 3/4" (88.3 cm)	33 3/4" (85.7 cm)			
DYTT305 cooktop w/ RV30 downdraft	28 3/4" (73.0 cm)	27 3/4" (70.5 cm)	22 1/4" (56.5 cm)	2 1/2" (6.4 cm)	5/8" (1.6 cm)
DYTT365 cooktop w/ RV36 downdraft	34 3/4" (88.3 cm)	33 3/4" (85.7 cm)			

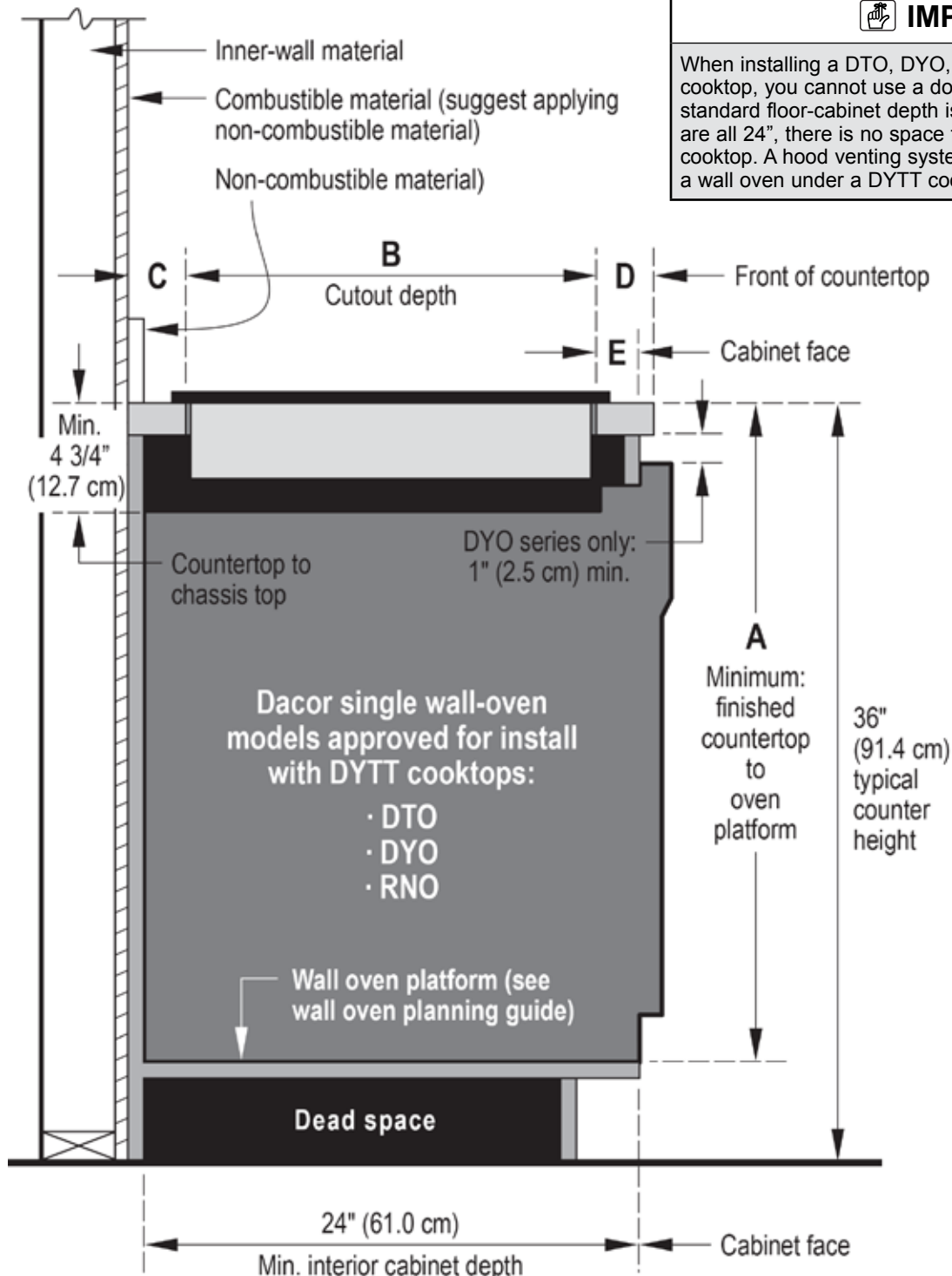
INSTALLATION INSTRUCTIONS

Cooktop/Wall-Oven Combination

All tolerances: $\pm 1/16$ (± 1.6 mm), unless otherwise stated

IMPORTANT

When installing a DTO, DYO, or RNO wall oven with a DYTТ cooktop, you cannot use a downdraft vent system. Because standard floor-cabinet depth is 24", and the wall oven depths are all 24", there is no space for the downdraft vent behind the cooktop. A hood venting system must be used when installing a wall oven under a DYTТ cooktop in standard-depth cabinets.



Combination DYTТ Cooktop/Wall Oven Installation Dimensions

Wall Oven Model No.	(A) Min. C'top to Oven Platform	(B) Cutout Depth	(C) Min. Back of Cutout to Wall	(D) Min. Front o' C'top to Front o' Cutout	(E) Min. Cab't Face to Front of Cutout	Comments
DTO	32 3/8" (82.2 cm)	19 3/4" (50.2 cm)	1 1/8" (2.9 cm)	2 3/4" (7.0 cm)	2 3/4" (7.0 cm)	Leave minimum 7 sq. in. ventilation through cabinet; min. 2 in. betw. front of chassis and back of cab't below c'top. (See DYTТ planning guide.)
DYO	33 1/8" (84.1 cm)	19 3/4" (50.2 cm)	1 1/8" (2.9 cm)	2 3/4" (7.0 cm)	2 3/4" (7.0 cm)	
RNO	32 3/8" (82.2 cm)	19 3/4" (50.2 cm)	1 1/8" (2.9 cm)	2 3/4" (7.0 cm)	2 3/4" (7.0 cm)	

INSTALLATION INSTRUCTIONS

Verify the Package Contents

Verify that all these items have been included:

- DYT Induction Glass Cooktop
- Foam tape
- Hold-down brackets (2)
- Glass scraper (PN 82499)
- Dacor Cooktop Cleaning Creme (PN A300)
- Product literature

If any item is damaged/missing, contact your dealer immediately. Do not install a damaged/incomplete cooktop.

Before starting the installation, make sure you have all the equipment you need for proper installation.

Installing the Cooktop

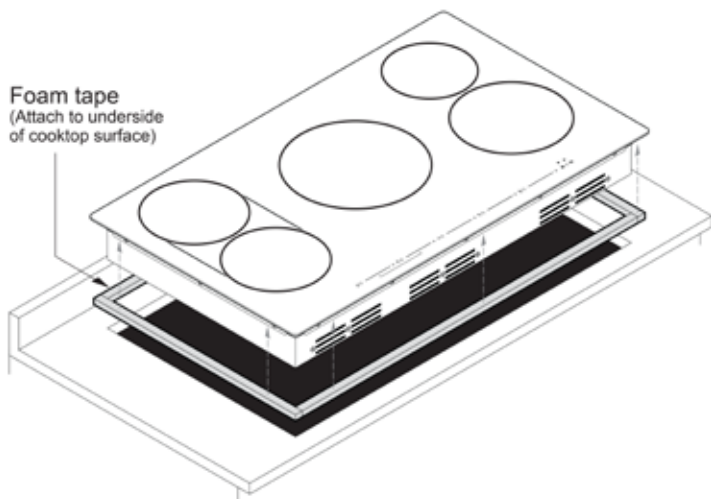
WARNING

If the home's electrical service does not meet the specifications on Pg. 3, discontinue installation. Call a licensed electrician to install the required wiring.

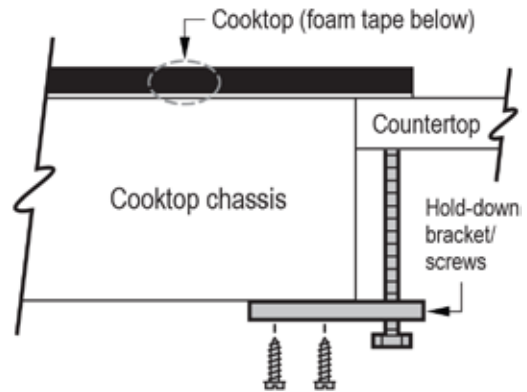
IMPORTANT

- Before installing the cooktop, verify that all minimum clearances are met as specified on Pg. 3.
- Do not use a hardening compound, glue, or caulk to seal the cooktop in place. The cooktop must be easily removable for service. Removal of improper sealant to service the unit will be charged to the customer.

1. Peel the backing from the foam tape provided, and attach the tape to the bottom of the cooktop mounting surface (as near the edge of the glass as possible).



2. Keeping the cooktop centered, lower it into the cutout.
3. With the two hold-down brackets provided, secure the cooktop to the countertop.



4. Slide the brackets into the slots on the left and right sides of the chasis, then snug (do not overtighten) the screws to the underside of the countertop.

Connecting the Cooktop Wiring

WARNING

- To prevent electric shock, fire hazard, or appliance damage, turn off power at the circuit-breaker panel or fuse box before connecting the cooktop wiring.
- Connect the cooktop's ground (green) wire to a grounded, metallic, permanent wiring system or grounding conductor. Do NOT ground the appliance to a neutral (white) house-supply wire. You *must* use a separate ground wire.
- The cooktop must be properly grounded per these instructions whenever power is applied.
- For aluminum house-supply wiring, splice the cooktop copper wires to the aluminum house wiring using special connectors designed and agency-certified for joining copper and aluminum. Follow the connector manufacturer's recommended procedure carefully to avoid creating a fire hazard.

IMPORTANT

Leave slack in the conduit so the cooktop can be removed for service.

1. At the circuit breaker or fuse box, turn off power to the circuit to which the cooktop will be connected.
2. Feed the appliance conduit into the junction box, and attach it using a UL-certified strain relief.
3. Following local codes, use one of the methods on the next page to connect the appliance to the junction box.

INSTALLATION INSTRUCTIONS

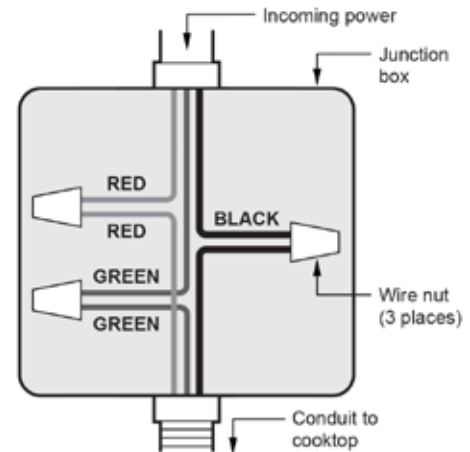
Connecting the Cooktop Wiring, cont.

Three-Wire Electrical Connection

IMPORTANT

No white-wire connection is needed for this 3-wire appliance. If the junction box has a neutral (white) wire, you must shield it to comply with the National Electrical Code.

1. Separate the wires coming out of the appliance conduit.
2. Connect the black wire from the appliance conduit to the black (L1) supply wire in the junction box.
3. Connect the red wire from the appliance conduit to the red (L2) supply wire in the junction box.
4. Connect the green wire from the appliance conduit to the green (ground) wire in the junction box.



Three-Wire Electrical Connection (External Ground)

Steps in this procedure reference the middle- and lower-right diagrams on this page.

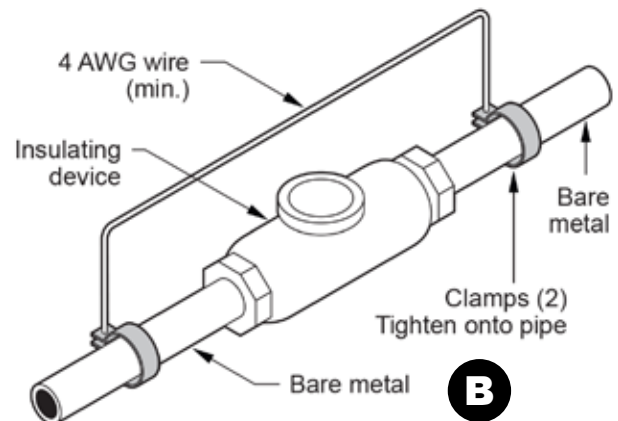
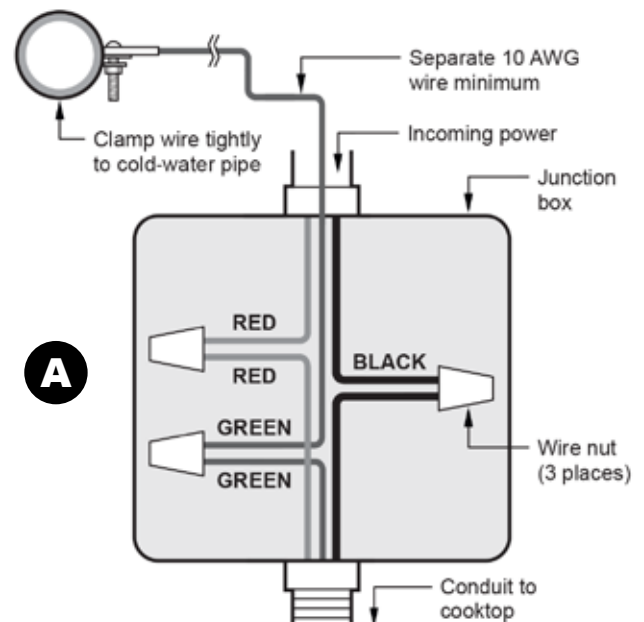
WARNING

- Do not ground the cooktop to a gas-supply pipe or hot-water pipe.
- If you connect the ground wire to a grounded cold-water pipe, use a separate copper grounding wire (#10 min.) and clamp with external grounding screw. The grounded cold-water pipe must have metal continuity to an electrical ground. Any insulating materials must be jumped with a minimum 4 AWG wire to establish continuity to ground. (See Diagram B, right.)

NOTE

If the junction box was properly grounded by a licensed electrician, the green (ground) wire from the appliance conduit may be connected to the junction box using a loop terminal.

1. Separate the wires exiting the cooktop conduit.
2. Connect the black wire from the cooktop to the black (L1) supply wire in the junction box.
3. Connect the red wire from the cooktop to the red (L2) supply wire in the junction box.
4. Connect the green wire from the cooktop to a grounded cold-water pipe (A, right).
5. Jumper any insulating materials (B, right) with a length of #4 copper wire. Securely clamp the wire to bare metal at both ends.



INSTALLATION INSTRUCTIONS

Verifying Proper Operation

This procedure instructs you how to verify the basic operation of each cook zone. See the Use and Care Manual to verify operation of other features.

Use a ferrous (magnetic) pot/pan, and perform this procedure for all cook zones.



IMPORTANT

- Before performing this procedure, remove all foreign material from the cooktop.
- As directed in the Use and Care manual, clean the cooking surface.

1. Turn on power to the cooktop at the circuit-breaker panel or fuse box.
2. Set a 1/4-full pot of water on a cook zone. (Select a zone that is appropriate to the size of the pot.)
3. On the main control panel, press the power button. *A red dot appears above the button, indicating that the cooktop is on.*
4. On a cook-zone control panel, press the power button. *The **ON** indicator appears.*
5. Press the left end of the cook-zone slider. *The **SIM** indicator appears, showing that you selected Simmer mode.*
6. Move your finger back and forth along the slider. *The zone's digital readout and heat-level ramp change as your finger passes over a heat level.*
7. Stop on a heat level, and remove your finger.
8. When you see that the water is heating as expected, press the cook-zone power button. *The zone's **ON** indicator goes out; the cook zone is off.*



WARNING

If the cook zone HOT indicator has appeared, it will stay on until the cook zone is safe to touch without causing a burn injury. In testing other cook zones, be careful where you touch the cooktop surface while any HOT indicators appear.

9. Repeat Steps 4-8 for the other cook zones.
10. On the main control panel, press the power button. *The red dot above the button goes out; the cooktop is off.*

Troubleshooting

If the cooktop does not operate properly:

- verify that power is supplied to the cooktop and that all electrical connections proper and secure.
- repeat the **Verifying Proper Operation** procedure.

If the appliance still does not work, do not try to repair it but contact Dacor Distinctive Service: (800) 793-0093 x2822.

Have the model/serial numbers available when you call. (If the numbers are not written in this manual, they are on the product label on the bottom of the appliance chassis.)

Installation Checklist

The cooktop's proper installation is critical to its intended function and user safety.

The installer should review this checklist to ensure the installation has been properly performed. The homeowner is ultimately responsible for the cooktop's proper installation.

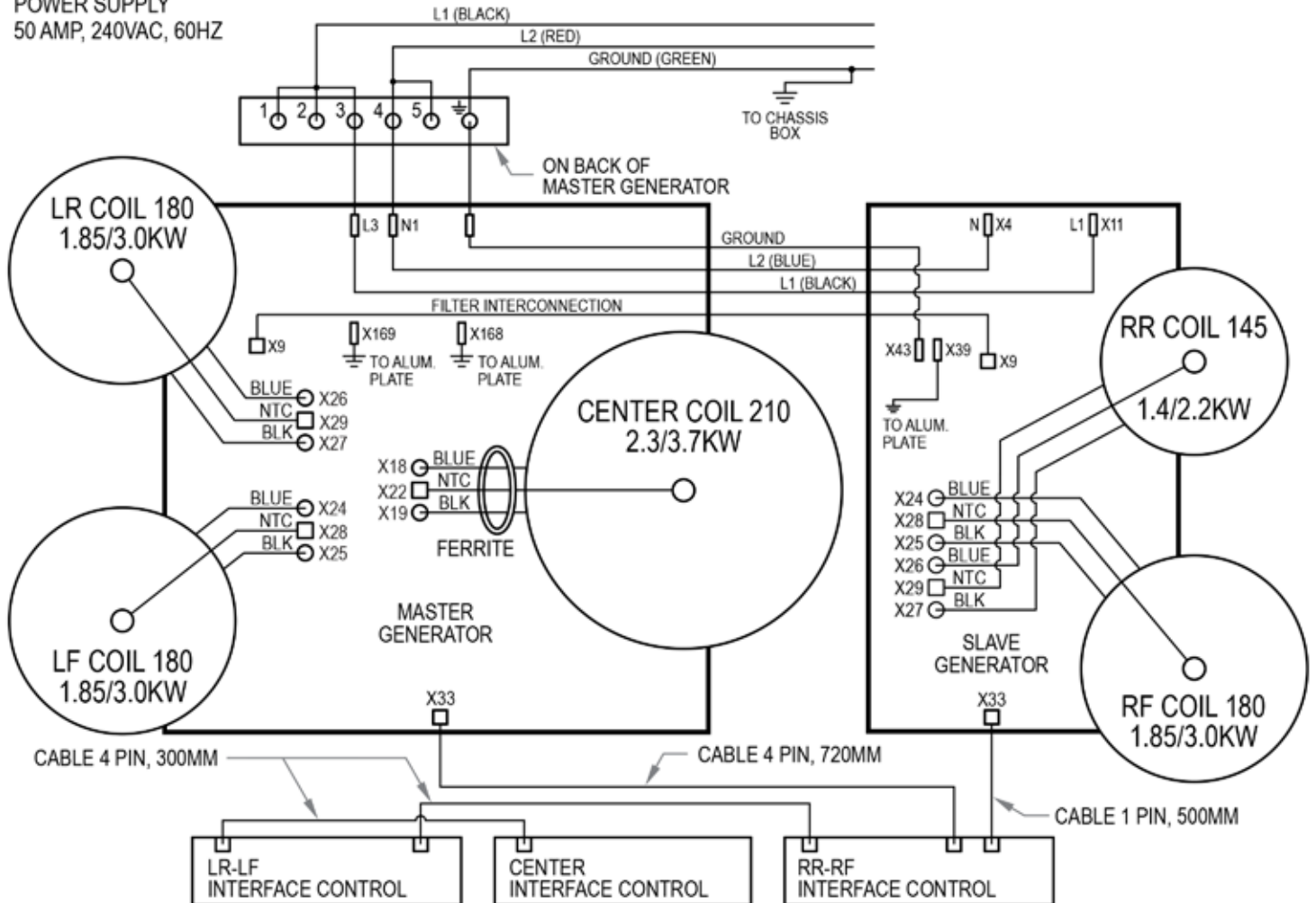
- Were all minimum cabinet/countertop clearances met or exceeded? (Pgs. 5 and 6)
- Was the cooktop wired/grounded as instructed and per electrical codes and ordinances? (Pgs. 3 and 8)
- Was the cooktop secured with the provided hold-down brackets? (Pg. 8)
- Was proper operation verified? (Pg. 9)
- Was the warranty activated (online or by completing and mailing the warranty card)?
- Were any problems noted on the warranty card or during the online warranty activation?

WIRING DIAGRAM

WIRING DIAGRAM DYTT305

CAUTION: LABEL ALL WIRES BEFORE DISCONNECTION WHEN SERVICING CONTROLS. WIRE ERRORS CAN CAUSE IMPROPER AND DANGEROUS OPERATION.

CONNECT TO
POWER SUPPLY
50 AMP, 240VAC, 60HZ

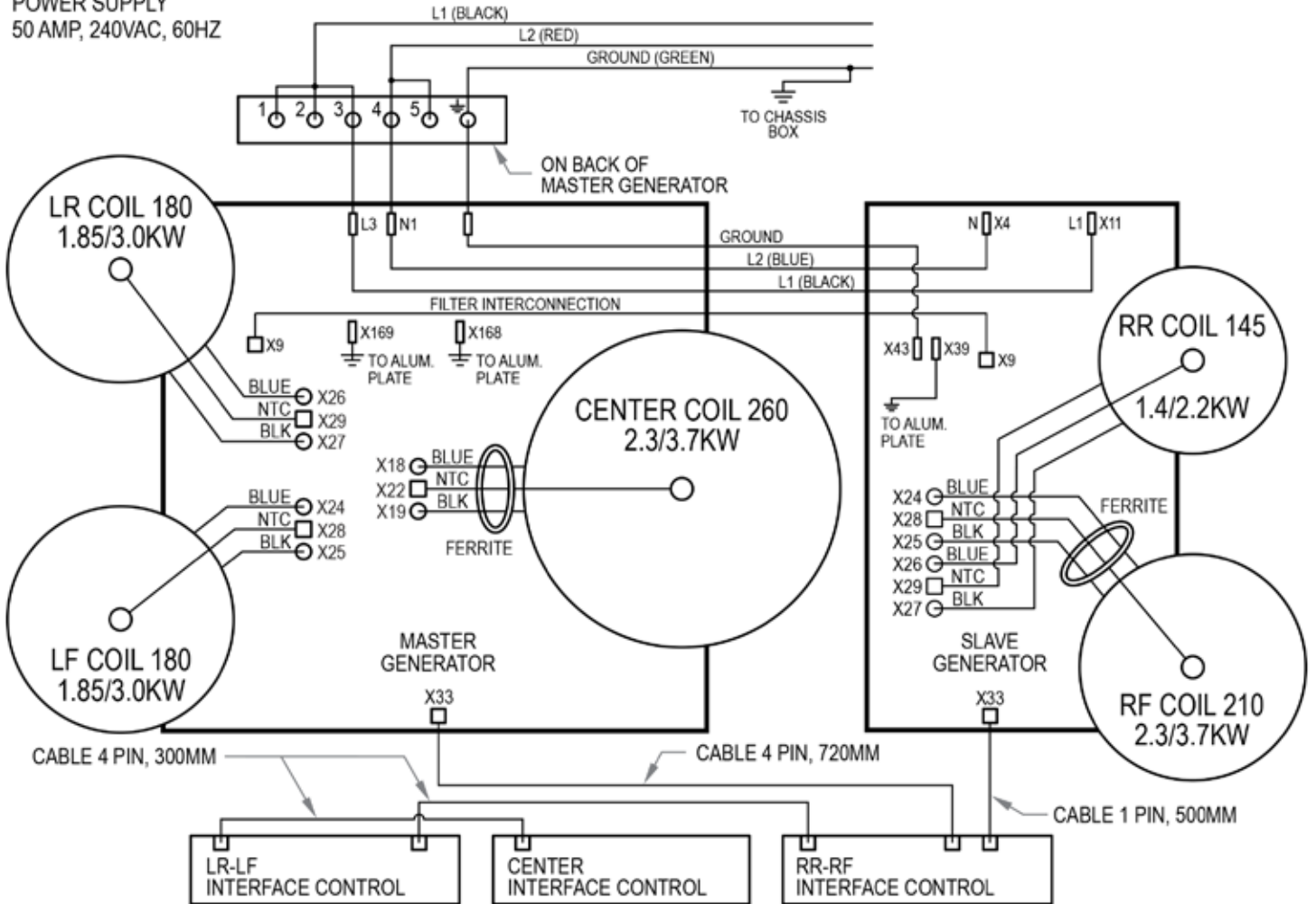


WIRING DIAGRAM

WIRING DIAGRAM DYTT365

CAUTION: LABEL ALL WIRES BEFORE DISCONNECTION WHEN SERVICING CONTROLS. WIRE ERRORS CAN CAUSE IMPROPER AND DANGEROUS OPERATION.

CONNECT TO
POWER SUPPLY
50 AMP, 240VAC, 60HZ



NOTES

NOTES

