



# Veil® Comfort Height®

intelligent one-piece elongated dual-flush toilet

## K-5401-PA

### Features

- Compact, streamlined one-piece intelligent toilet with integrated personal cleansing.
- Elongated bowl offers added room and comfort.
- Comfort Height® feature offers chair-height seating that makes sitting down and standing up easier for most adults.
- Tankless design with direct water supply.
- Dual flush offers a choice of 0.8 or 1.28 gallons per flush (gpf).
- Stainless steel wand offers adjustable spray shape, position, water pressure, temperature, pulsate and oscillate functions.
- Front and rear wash modes provide warm water for cleansing.
- Self-cleaning function uses UV light and electrolyzed water systems to sanitize the wand surfaces.
- Warm-air drying system with adjustable temperature settings.
- Automatic deodorization system.
- Heated seat with adjustable temperature settings.
- Motion-activated, hands-free opening/closing of seat and cover.
- Quiet-Close™ lid closes slowly and quietly without slamming.
- LED lighting illuminates the bowl to serve as a night-light.
- English-language touchscreen LCD remote control.
- Emergency flush supports up to 100 flushes during power outage with simple touch-button activation.

### Technology

- Dual-flush technology allows you to choose between a full- or partial-flush.
- Pump-assisted flushing for strong flush performance.

### Installation

- Included components: Complete toilet and seat, supply stop valve, braided inlet supply hose, power cord and LCD remote control.
- Standard 12" rough-in.

### Components

Additional included component/s: Seat, supply stop valve, braided inlet hose, power cord, and LCD remote control.



**ADA** **CSA B651** **OBC**

### Codes/Standards

ASME A112.19.2/CSA B45.1  
 ASME A112.4.2/CSA B45.16  
 ASME A112.19.14  
 DOE - Energy Policy Act 1992  
 EPA WaterSense®  
 California Energy Commission (CEC)  
 UL 1951  
 CSA C22.2 No. 14  
 CSA C22.2 No. 68  
 ADA  
 ICC/ANSI A117.1  
 CSA B651  
 OBC

### KOHLER® Intelligent Toilet and C3® Cleansing Seat Three-Year Limited Warranty

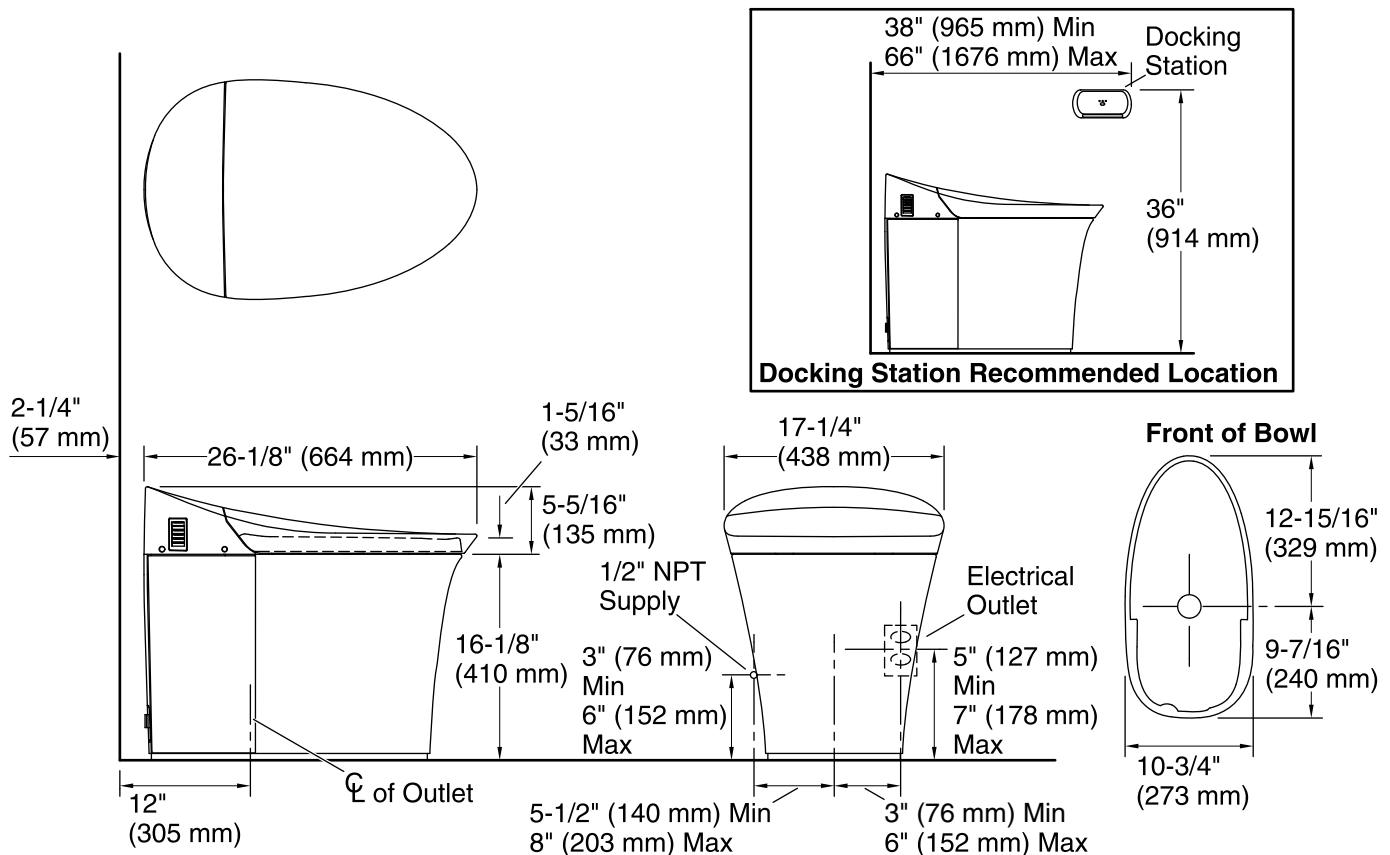
See website for detailed warranty information.

### Available Color/Finishes

*Color tiles intended for reference only.*

#### Color Code Description

 0 White



### Required Electrical Service

One dedicated circuit required, protected with Class A Ground-Fault Circuit-Interrupter (GFCI) or Residual Current Device (RCD).

120 V, 15 A, 60 Hz

### Technical Information

All product dimensions are nominal.

Toilet type:	One-piece, Wall-mount
Waste Outlet:	Floor
Bowl shape:	Elongated
Trap passageway:	1-15/16" (49 mm)
Water Consumption	
Reduced:	0.8 gpf (3 lpf)
Water surface size:	7-15/16" x 5-5/8" (202 mm x 143 mm)
Rough-in:	12

### Fixture Supply Requirements

Min flow rate:	6 gpm (22.7 lpm)
----------------	------------------

### Notes

Install this product according to the installation instructions.

This product is designed for installation with the electrical and water supplies located through either the wall or the floor.

**IMPORTANT!** Use the supply hoses provided with the fixture. Do not reuse the previously installed hoses.

ADA, OBC, CSA B651 compliant when installed to the specific requirements of these regulations.

Plumbing codes may require elongated toilets and elongated, open-front seats in public bathrooms.

Accessibility standards may require controls to be located on the open side of the toilet.