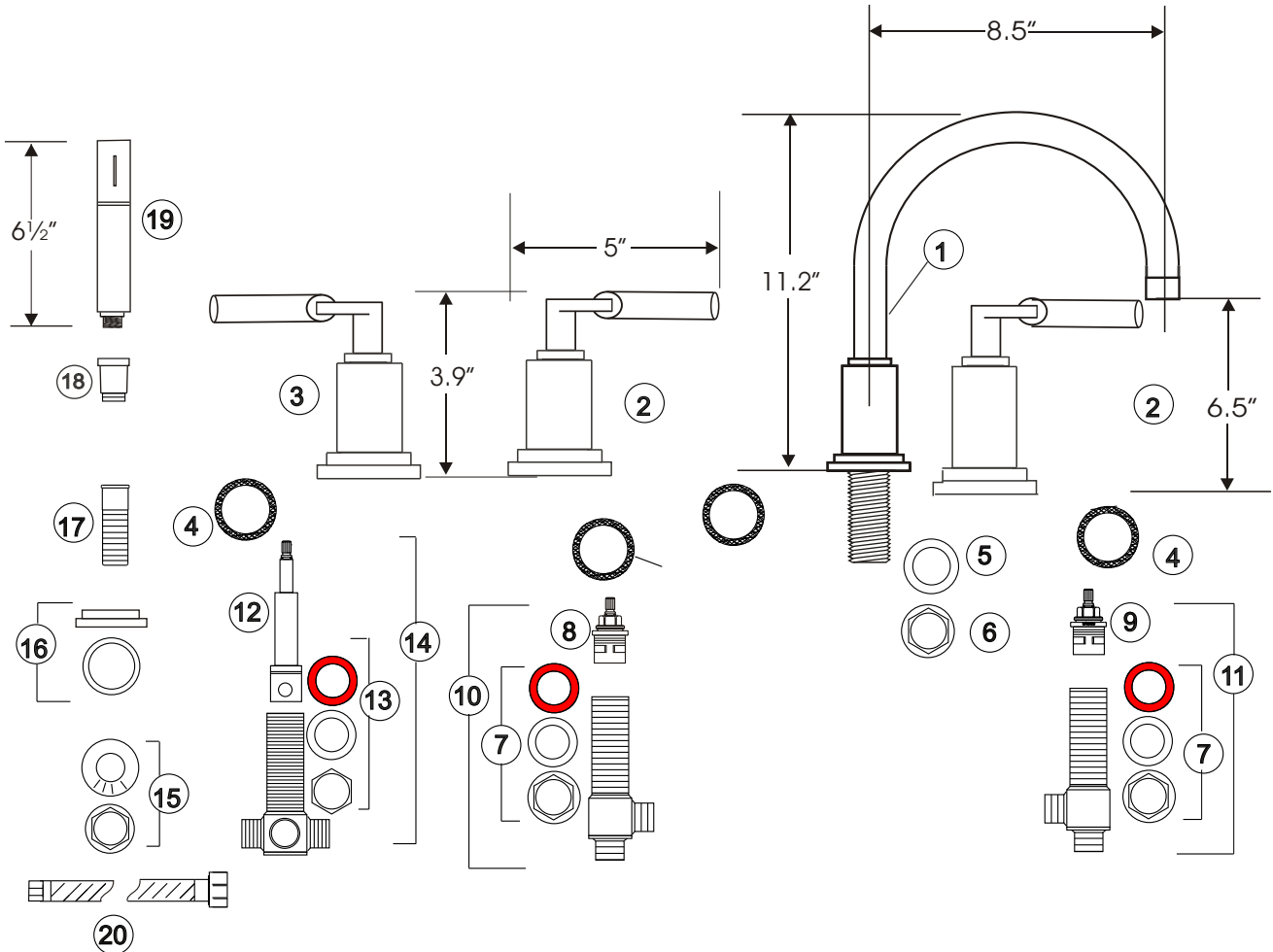


MODENA COLLECTION

ROMAN TUB FILLER WITH HAND HELD SHOWER - "TD" HANDLES



#	PART DESCRIPTION	PART #	#	PART DESCRIPTION	PART #
1	Complete Spout Assembly*	PS-5D00-U	11	Complete Cold Valve	P0496
2	Complete TD Right Handle Assembly*	00YY-TD-R	12	Diverter Cartridge	P0500R
3	Complete TD Left Handle Assembly*	00YY-TD-L	13	Diverter Mounting Hardware	
4	Flange Washer	PM-400	14	Complete Diverter Assembly	P0500
5	Metal Crimped Washer	PM-551	15	Flange Hardware Pack Subassembly	PM-Z11
6	Lock nut, Shank	PM-550	16	Flange Deluxe Shower Arm (Modena)*	P0-300M
7	Valve Body Mounting Hardware		17	Guide Tube, Hand-Held Shower*	Z-200-2
8	Hot Cartridge	P0420-SH	18	Adapter, Modena Hand Held Shower*	PS-700S-3
9	Cold Cartridge	P0420-SC	19	Modena, Hand Held Shower Assembly	PS-700S
10	Complete Hot Valve	P0495	20	Shower Hose Sub Assembly	HS-600

* Please specify the finish when ordering the part.

FLUSH BOTH SUPPLY LINES BEFORE INSTALLATION

AFTER FLUSHING, SHUT OFF BOTH SUPPLY LINES

MINIMUM HOLE SIZE FOR THE SPOUT AND HANDLE TRIM IS 1 1/4" AND MAXIMUM IS 1 1/2"

SPOUT INSTALLATION

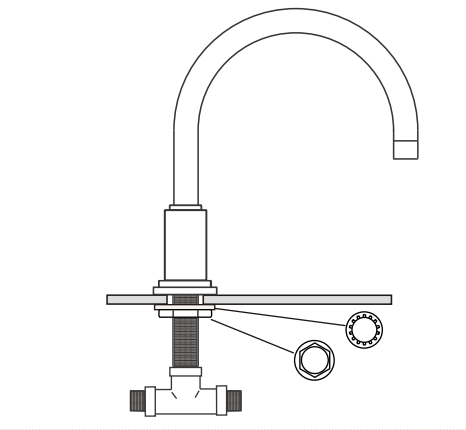
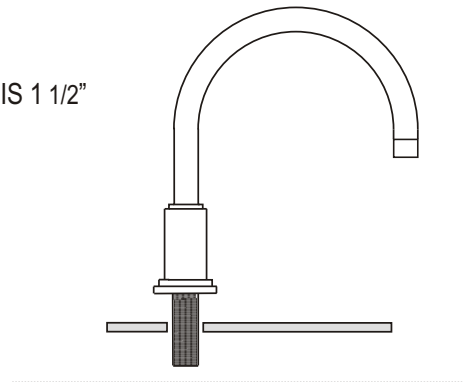
1

- Remove the faucet from the box. Remove the mounting lock nut, washer and tee connector from the threaded spout shank.
- From the top of the deck, slip the spout with the flange and flange washer through the assigned spout hole. Secure the spout by putting the washer and mounting nut back onto the threaded spout shank. Align the spout and tighten the lock nut firmly.

2

- Put on Aerator rubber water seal, free flow aerator on spout mouth. Screw on aerator housing on the spout mouth.
- Connect the tee connector to the spout shank.

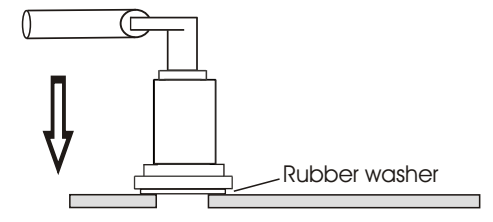
Note: for better installation it is advisable to place silicone caulking around all holes on the top of the deck



HANDLE TRIM INSTALLATION

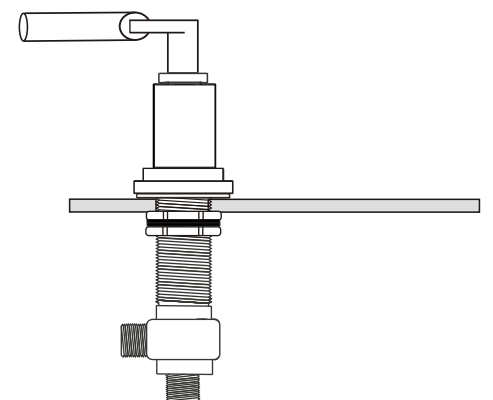
1

- For proper handle turning direction, install the handle with the "cold" blue label at the right side of the spout (looking from the front) and the handle with the "hot" red label at the left side of the spout.
- Both hot and cold side handle trims are pre-assembled for faster installation.
- Put on the rubber washer on the base. Put the flange on the rubber washer maintaining the co axiality. Modena handle complete assembly is to be kept on the top of it. Put on Teflon washer in the body base of the cross handle,



2

- From the beneath of the basin or counter, screw the valve body mounting hardware back to the valve body. First the rubber washer, then the white nylon washer and lastly the brass lock nut.
- Align the lever or cross handle properly against the spout. Tighten the lock nut until it secures the valve body firmly.



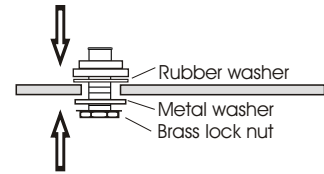
3

- Loop and connect the flexible hoses to the tee connector. Tighten to avoid leakage.
- Connect and tighten the Inlet hoses to the supply lines.

HAND SHOWER INSTALLATION

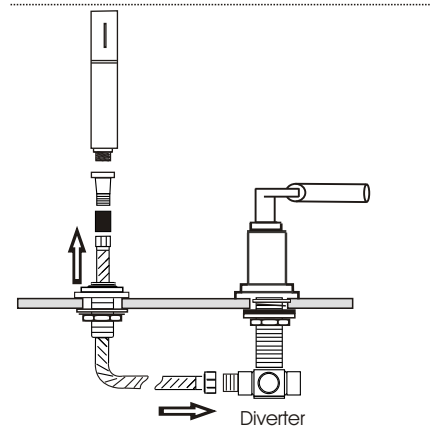
1

- Slip the guide tube, flange and the washer from the top of the tub through the appropriate hole. Screw the mounting hardware from the bottom of the tub, first the crimped metal washer then the brass lock nut. Tighten the lock nut firmly.



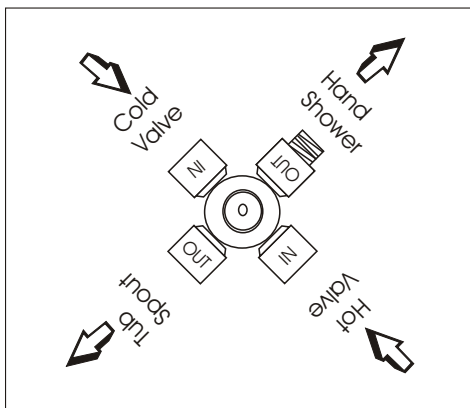
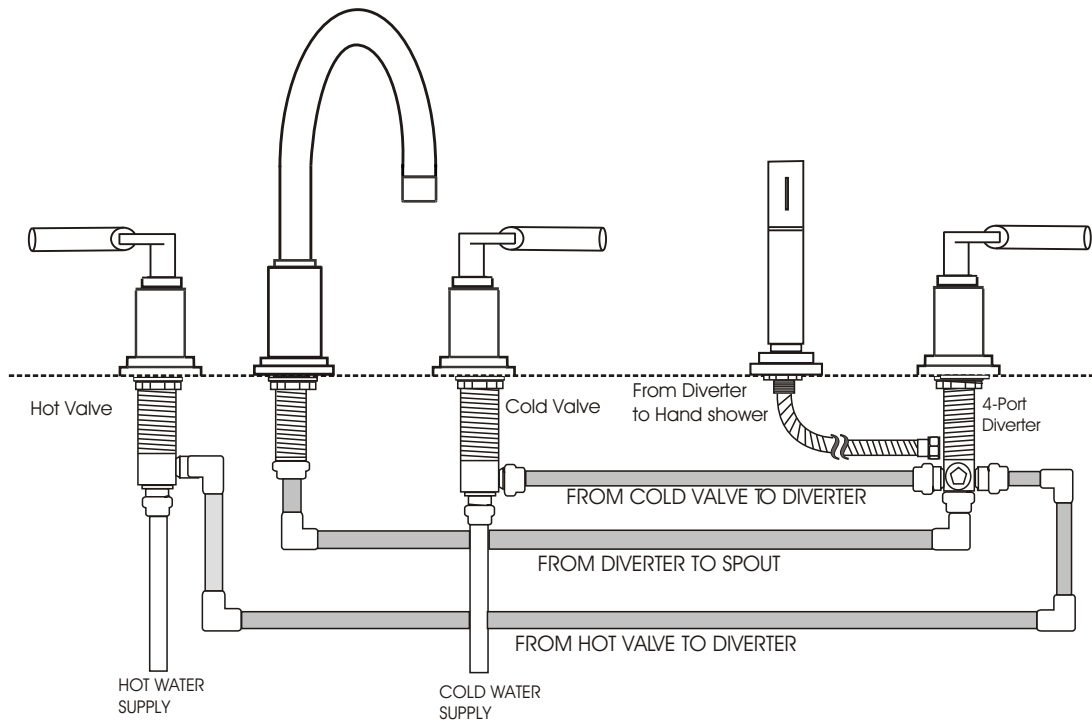
2

- Wrap Teflon seal tape around the threaded outlet end (OUT) of the diverter valve. Connect and tighten the 1/2" female side of hose onto the outlet.
- Slip the other end of the hose (3/8") up through the guide tube, connect and tighten the hose to the hand shower unit.



WATER TEST

- Turn on the cold water supply.
- Use the handle from the faucet set to turn the valve on and off.
- Check for leaks. If water leaks from any of the connections merely tighten the connections until the leak stops.
- Repeat the same procedure for the hot side.



Santec Inc.
 3501 Challenger Street, Torrance, CA 90503
 Tel: (310) 542-0063 Fax (310) 542-5681
 www.santecfaucet.com



SANTEC LIFETIME LIMITED WARRANTY

1. **Finishes:** Santec **Polished Chrome, Polished Orobrass and Satin Nickel** finishes carry a **Lifetime Limited** warranty against manufacturing defects and tarnish to the original purchaser with the exclusion of kitchen drain assemblies which, due to the nature of their use, are not warranted. Santec **recommended custom finishes** carry a ten (10) years limited warranty against manufacturing defects and tarnish to the original purchaser with the exclusion of kitchen and pop - up drain assemblies which, due to the nature of their use, are not warranted.
2. **Cartridges:** Santec Cartridges carry a lifetime limited warranty against manufacturing defects for the life of the product to the original purchaser.
3. **Parts:** Santec parts carry a Ten (10) year limited warranty against manufacturing defects, to the original purchaser.
4. **Warranty exclusions and limitations :** This warranty does not cover: damage due to negligence, accident, abuse, improper installation, or improper maintenance such as, but not limited to: heat from soldering during installation, the use of plumbers putty, damage from tools used during installation, the use or exposure to chemicals or cleaning products either abrasive or non abrasive or the use of any cleaning tool or product other than a soft, clean cloth. This warranty does not cover: changes in the finish or in the product due to normal wear or aging and does not cover any product or parts which have been altered or used in a manner not typical for the product. **This warranty does not cover and Santec will not be held liable for damage to products caused by the freight carrier and a claim should be made immediately to the freight carrier should this occur.** This warranty does not cover any cost involved in the installation, repair, or replacement of any Santec product or part. This warranty does not cover and Santec will not be held liable for any loss, damages, or expenses, incidental or consequential whatsoever, originating from the purchase, installation, use, repair, failure, or replacement of any Santec product or part, as allowed by law. The product or components of the covered product will either be repaired, refinished or replaced, at the sole discretion of Santec. Santec reserves the right to examine any product claimed defective prior to any warranty claim being accepted or processed, at its sole discretion. This warranty gives you specific legal rights and you may have other rights which may vary from state to state.

Effective **10/01/03** - Replaces and supersedes any previously issued warranty.

FINISH CARE INFORMATION

For clear coated or enamel color finishes:

We recommend that all faucets, drains, etc. be gently wiped dry with a soft cloth after use to avoid water spotting and water deposit buildup. A mild liquid hand soap, such as Ivory may be used occasionally if desired. Use of a non-abrasive carnauba wax will add protection to the finish and should be used if the faucets will not be dried after use. Santec Orobrass kitchen products are clear coated.

For non-clear coated and specialty finishes:

We recommend that all faucets, drains, etc. be gently wiped dry with a soft cloth after use to avoid water spotting and water deposit buildup. Use of a non-abrasive carnauba wax is required occasionally.

Santec has obtained applicable code (standards) listings generally available on a national basis for products of this type. It is the responsibility of the installer/owner to determine specific local code compliance prior to installation of the product. Santec makes no representation or warranty regarding, and will not be responsible for any code compliance.

Some products listed in this catalog may not be approved for use in the state of Massachusetts, check with your Local Authority or Licensed Plumber to assure code compliance.