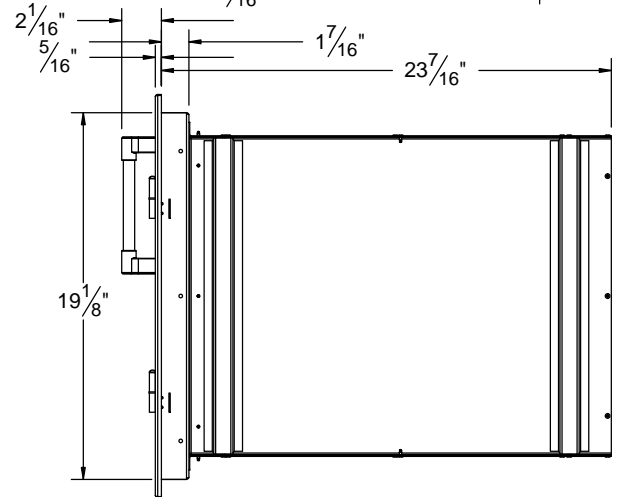
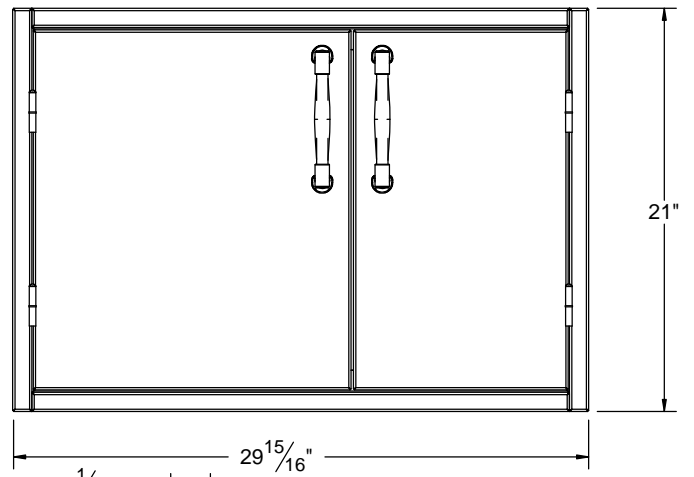


AXEDSP-30L TYPICAL INSTALLATION



COUNTER FRONT CUTOUT REQUIREMENTS

