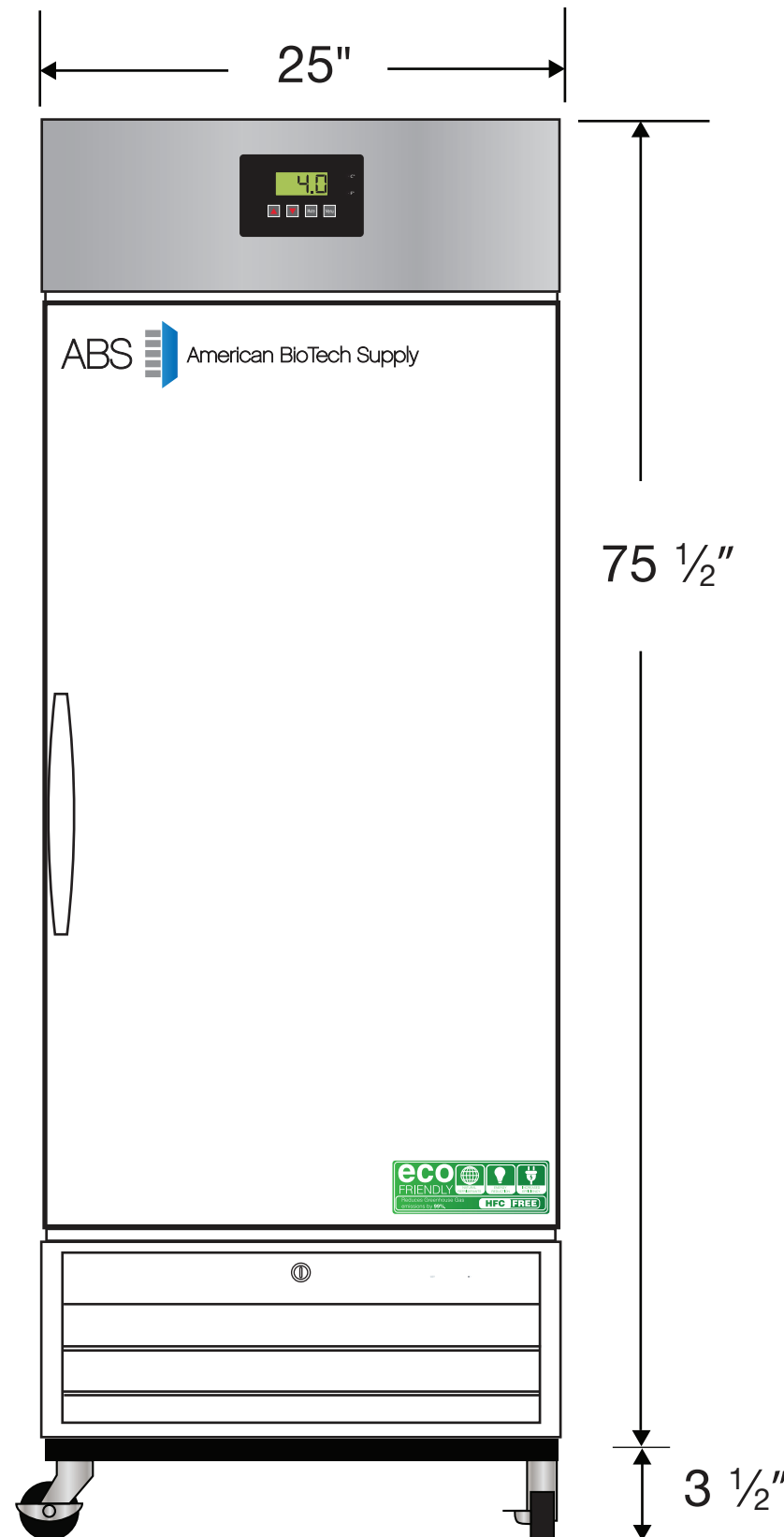
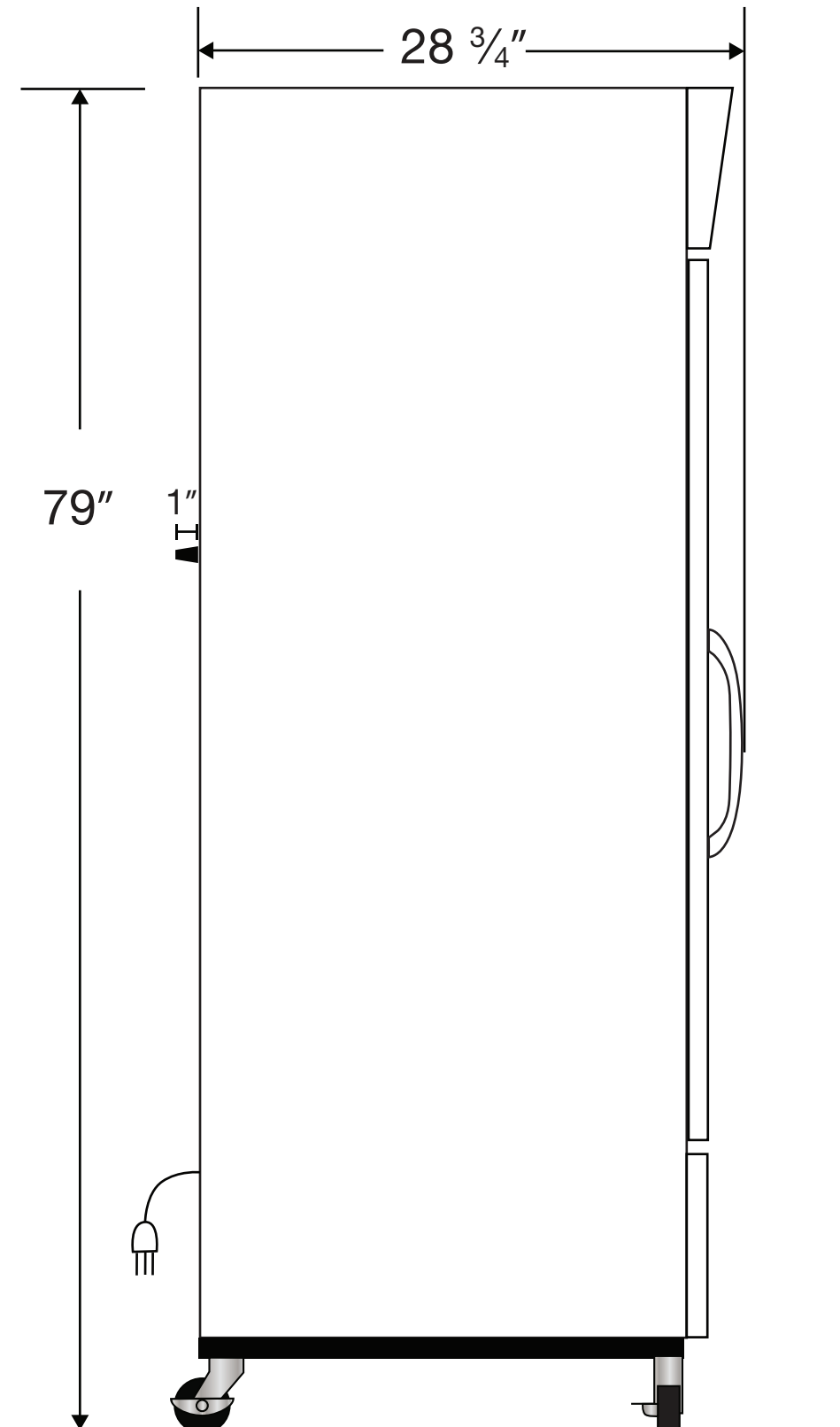


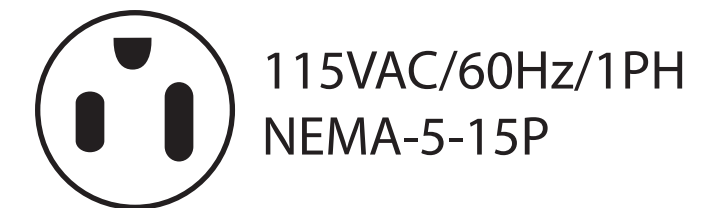
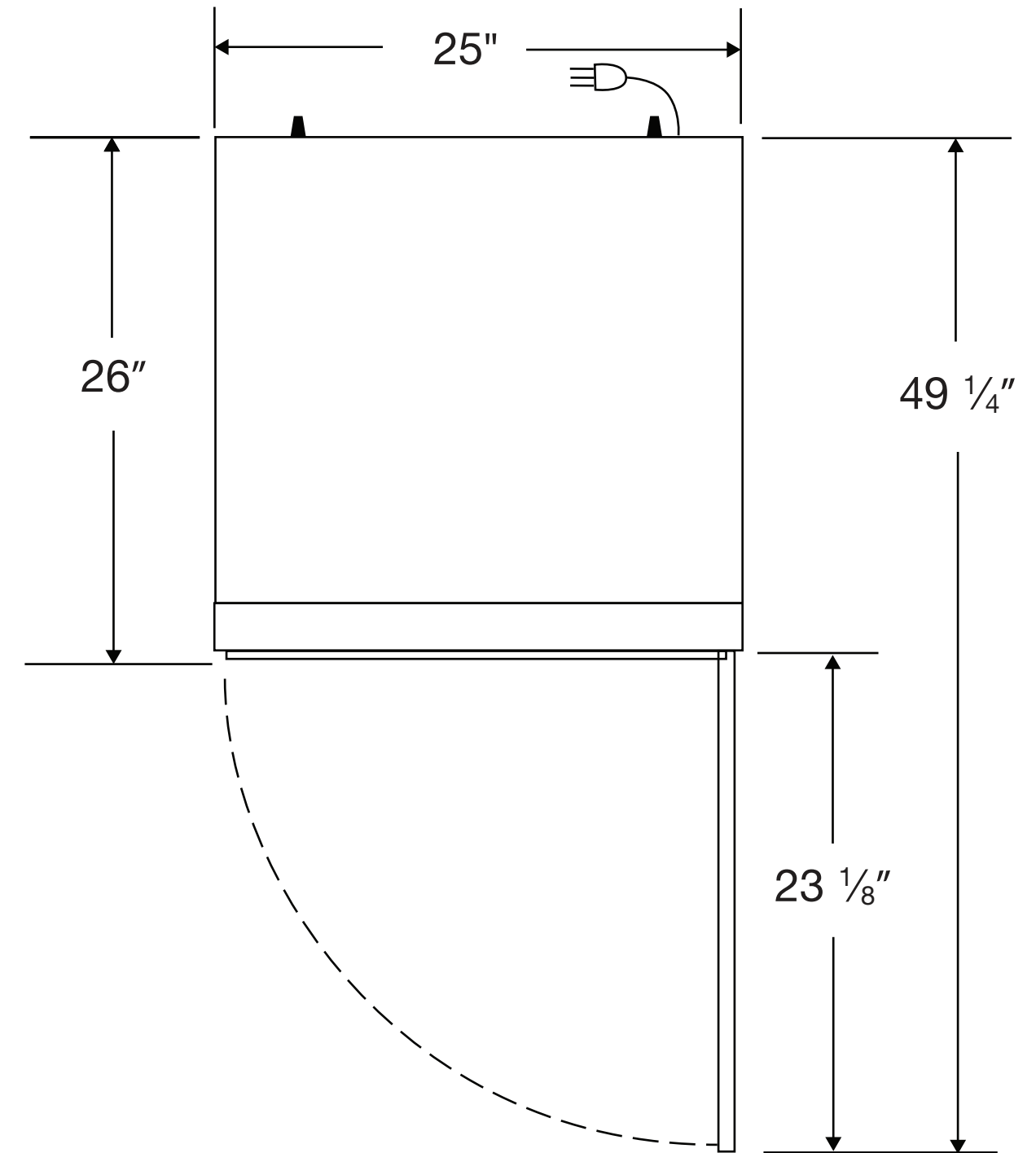
**Front View**



**Side View**



**Top View**



| Cu. Ft | Defrost | Door    | Int Door | Shelves | W" | D"     | H" | Refrigerant | H.P. | Amps | Weight   |
|--------|---------|---------|----------|---------|----|--------|----|-------------|------|------|----------|
| 16     | Cycle   | 1 Solid | 0        | 3 Adj   | 25 | 29 3/4 | 79 | R290        | 1/5  | 3    | 237 lbs. |