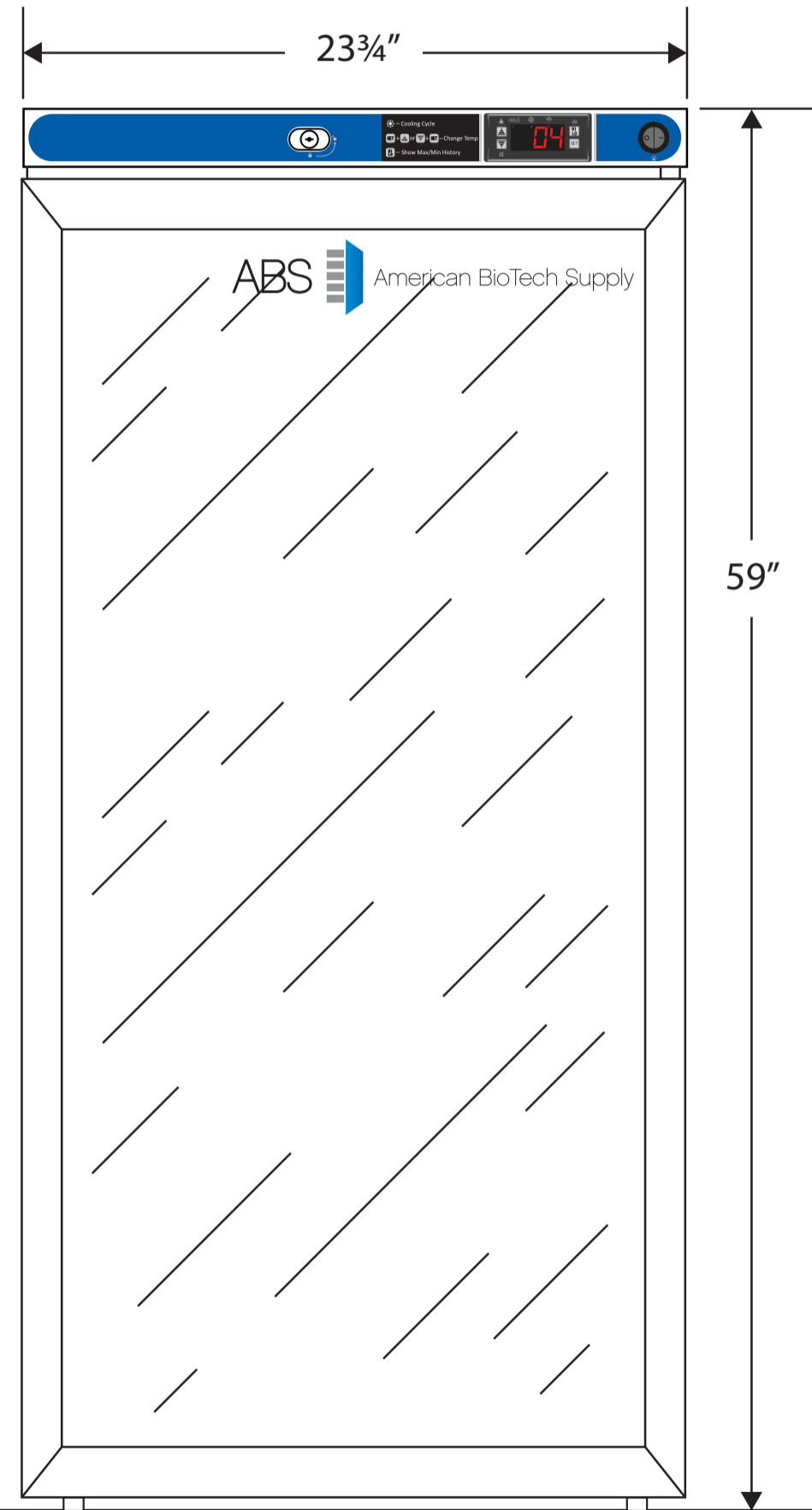
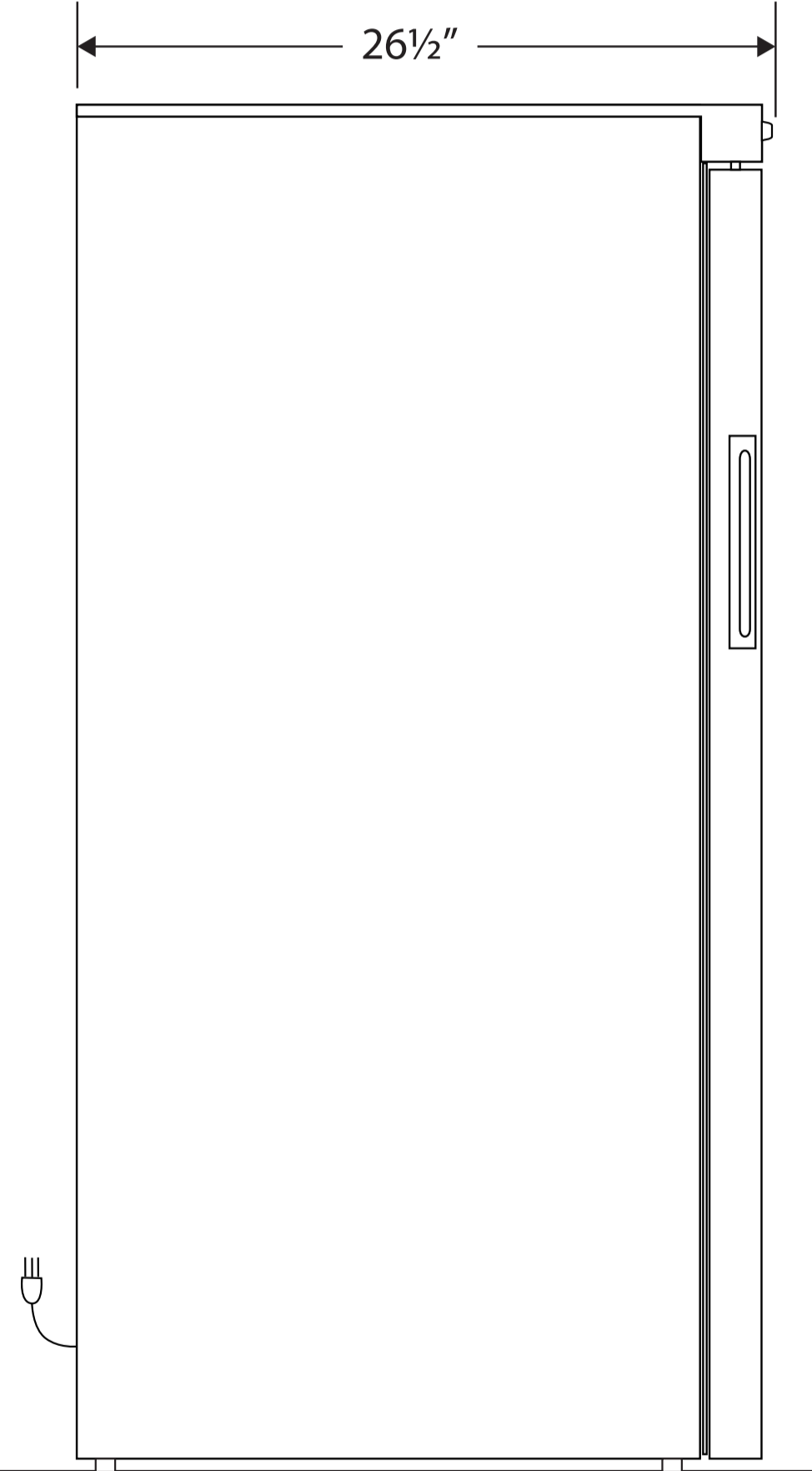


CUTSHEET

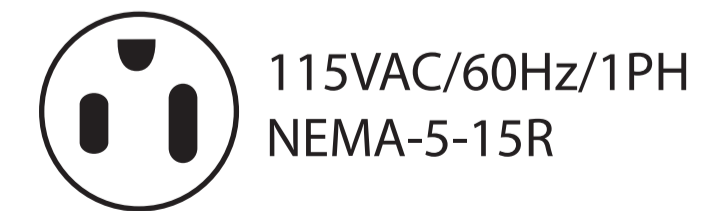
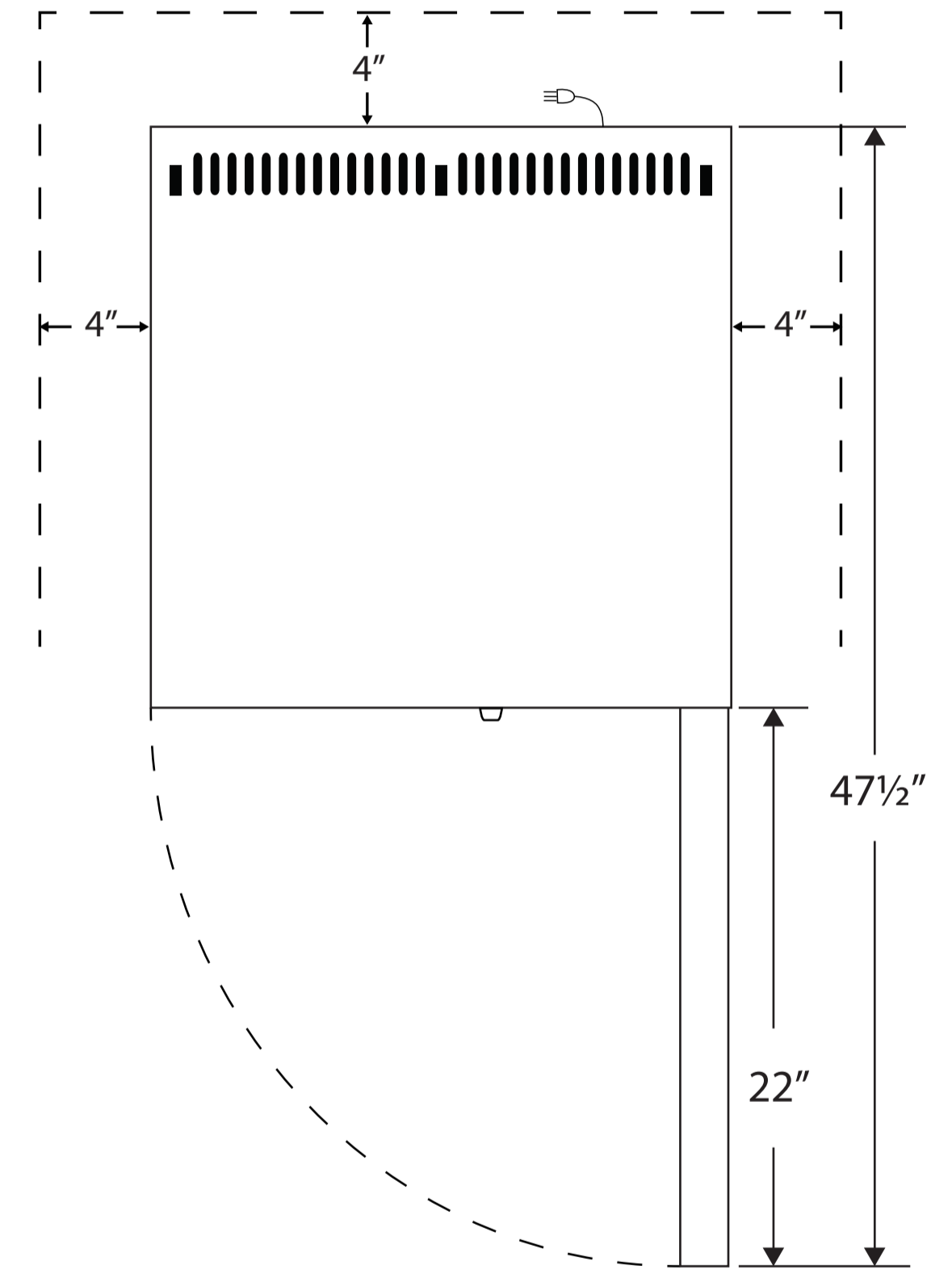
Front View



Side View



Top View



NOTE: Ventilation Requirements – Minimum 4" clearance on sides and back

ABS Model	Cu. Ft	Defrost	Door	Int Door	Shelves	W"	D"	H"	H.P.	Amps	Weight
ABT-HC-10PG	10.5	Cycle	1 Glass	0	6Adj	23 ³ / ₄	26 ¹ / ₂	59	1/6	3.5	170 lbs.