



# Owner's Guide

## PREMIERE LABORATORY REFRIGERATORS

**ABT-10, ABT-12, ABT-19, ABT-23, ABT-26, ABT-33, ABT-35,  
ABT-37, ABT-41, ABT-45, ABT-47, ABT-49, ABT-69, ABT-72**

## OWNER'S INSTRUCTIONS

This manual describes how to operate and care for your appliance to get the best, most efficient, performance.

### READ THIS BOOK!

#### Note to Customer:

This merchandise was carefully packed and thoroughly inspected before leaving our plant. Responsibility for its safe delivery was assumed by the carrier upon acceptance of the shipment. As directed on the side of your packing carton, claims for loss or damage sustained in transit must be made on the carrier as follows:

- A.) **Visible Loss, Damage, Shortage External Evidence of Loss or Damage:** This type of damage must be noted on the freight bill and acknowledged by the carrier's agent (driver) at time of delivery. Make sure you get a signed copy. Send a written request for an inspection to the carrier.
- B.) **Concealed Damage:** This type of damage may not be discovered until the unit is being unpacked. When concealed damage is discovered, stop unpacking immediately and contact the carrier immediately to report the claim and request an inspection. This should be done as soon as possible and, in any case, must be done within 15 days of receiving the merchandise. If at all possible, do not move the item and save all packaging material for carrier's inspection.
- C.) **FAILURE TO FOLLOW THESE INSTRUCTIONS MAY RESULT IN THE CARRIER REFUSING TO HONOR YOUR COMPANY'S CLAIM. UNDER NO CIRCUMSTANCES SHOULD THE MERCHANDISE BE RETURNED TO THE MANUFACTURER. NO RETURNS WILL BE ACCEPTED WITHOUT PRIOR AUTHORIZATION.**

**Horizon Scientific**  
125 Varnfield Drive  
Summerville, SC 29483  
Phone: 800-648-4041  
Fax: 843-821-8051

**Warranty:**  
Two-Year Parts and Labor  
5 Years Compressor Parts

**Revision Date**  
08/30/2012

## TABLE OF CONTENTS

RECEIVING .....	3
INSTALLATION INSTRUCTION .....	4
REFRIGERATOR OPERATION.....	8
CONTROL CENTER -- TEMPERATURE MONITOR SYSTEM.....	9
DIGITAL MICROPROCESSOR TEMPERATURE CONTROLLER .....	14
QUICK TROUBLESHOOTING GUIDE .....	17
MAINTENANCE AND CLEANING .....	19
PRODUCT WARRANTY.....	21

**BEFORE CALLING THE MANUFACTURER’S TECHNICAL SERVICE DEPARTMENT,** please have the unit’s model and serial number ready as well as the problem description. The model and serial number is located on the serial tag which can be found on the interior left upper wall of the unit.

For convenience, you may want to record the following information here for easy access in the future.

Model number: \_\_\_\_\_

Serial number: \_\_\_\_\_

Date of delivery: \_\_\_\_\_

## RECEIVING

Your unit was built, packaged, and inspected with extreme care. We shipped it to you using carriers we trust with a proven track record of careful handling, good customer service, and on time delivery. Unfortunately, regardless of all of these efforts sometimes accidents happen and occasionally those accidents result in shipping damage. When the carrier picked up the merchandise from us, they assumed responsibility for its condition en route to you. Thus, any claims for shipping damage must be filed with the carrier. Like anybody else, carriers don't like to pay out on insurance claims, so their claims procedures and requirements are very restrictive. You should consult the carrier's website for their specific claims procedures. You should also know that time is of the essence.

There are two general types of shipping damage. The first is **visible damage**. This type of damage includes visible loss, damage, shortage or any external evidence of loss or damage that is visible at time of delivery. **This type of damage must be noted in detail on your delivery receipt. Make sure the driver signs and dates the delivery receipt, acknowledging the damage.** This has to happen at the time of delivery or it won't happen at all. Keep a copy for your records and send another to the carrier's damage claims department along with a formal request for an inspection report. Follow up with a phone call. Their contact information can be found on the carrier's web site.

The second type of shipping damage is **concealed damage**. This type of damage will probably not be apparent at time of delivery and may not be discovered until unpacking and inspecting the unit. Remember, time is of the essence here. You should unpack and inspect the unit as soon as possible. Each day that passes reduces the likelihood that the carrier will pay the claim. **As soon as the concealed damage is discovered, stop unpacking and retain all packing materials. Contact the carrier by phone to report the claim.** Note the date and time and person you spoke with. Get a claim number. Follow up with a written letter referencing the claim number and including a formal request for an inspection. Again, consult the carrier's website for specific claim instructions and follow them precisely.

**AS STATED ABOVE, THE CARRIER IS YOUR SOLE SOURCE FOR SATISFACTION OF A DAMAGE CLAIM. UNDER NO CIRCUMSTANCES SHOULD THE MERCHANDISE BE RETURNED TO THE MANUFACTURER. NO RETURNS WILL BE ACCEPTED WITHOUT PRIOR AUTHORIZATION.**

## INSTALLATION INSTRUCTION

**REQUIRED TOOLS** – 9/16" socket or wrench, 3/4" open end wrench, Phillips head screwdriver, and level.

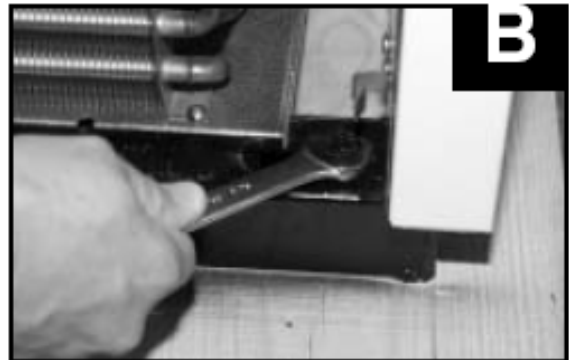
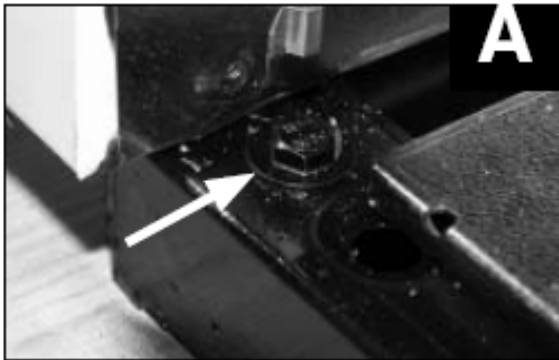
### UNCRATING –

Move your refrigerator as close to the final location as possible before removing the wooden skid. The location should be as close as possible to the power outlet, so the extend cord is not needed.

**PLEASE NOTE!** Your refrigerator or freezer is designed as INDOOR USE and should be operated at air conditioned room temperature between 65°F to 85°F.

Remove the lower grill assembly from the front of cabinet.

Skid bolts are located in each of 4 corners inside cabinet bottom. (See photo A). Remove skid bolts. (See photo B). Carefully lift cabinet off of skid. Replace the lower grill assembly back onto the refrigerator.



### For Swing Door(s) Model -

Remove door support bracket on interior bottom of the swing glass door and discard (see Image 1 & 2).



### For Sliding Doors Model –

Remove the styrofoam blocks on the top of the door tracks (see Image 3) and the plastic door stoppers (see Image 4, 5, and 6)



### CASTERS INSTALLATION –

It is important to ensure the casters are installed properly and securely in order to provide maximum strength and stability to the unit.



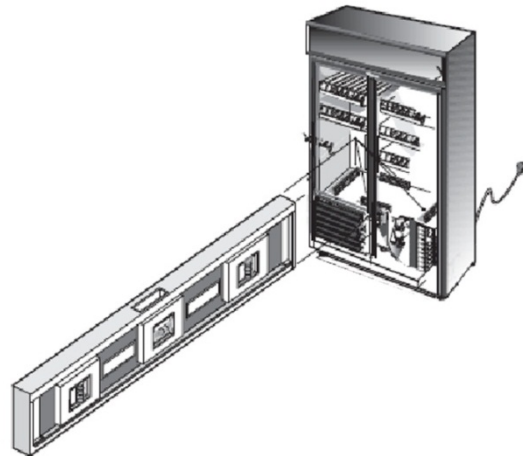
For leveling, insert the shim between the caster and frame rail.



Use 3/4 inch open-end wrench to tighten the anchoring bolt

### LEVELING –

Proper leveling of your refrigerator is critical to operating success. Condensate removal and door operation will be adversely affected by not leveling. The unit should be leveled front to back and side to side with a level. Ensure that the drain hose or hoses are positioned in the pan.



**Never plug in more than one unit per electrical outlet.**

**POWER SOURCE –** The supply circuit to this cabinet must conform to all National and Local Electrical Codes. Consult the cabinet Serial-Data plate for voltage, cycle, phase, and amp requirements before making connection. **VOLTAGE SHOULD NOT VARY MORE THAN 5% FROM SERIAL PLATE RATINGS.** A

separate circuit is recommended to prevent possible loss of product due to over-loading or failure of other equipment on the same circuit. **PROTECT THE CIRCUIT WITH A 20 AMP DELAY-TYPE FUSE OR CIRCUIT BREAKER.** Do not use an extension cord. Be sure your unit is properly grounded. Use the 3-prong plug provided into a 3-prong grounded outlet. (Only this method complies with national electrical codes, local codes and ordinances.) Unless the above grounding method is followed, you are not protected against severe or lethal shock in the event of a short circuit of an electrical component or wiring of the unit.

**STARTING –** There are no compressor shipping bolts to loosen or valves to open. All that is necessary after the unit has been properly leveled is to plug the service cord into an electrical outlet. When starting this new appliance, allow the cabinet to operate a minimum of eight hours or until it has started cycling normally before placing product in the cabinet. The motor compressor may start and stop several times when the unit is first started or after defrosting, especially if the weather is very hot. This is only normal functioning of the motor overload protector. The motor compressor will cycle normally as soon as the excess heat has been removed.

**WARNING** Avoid fire hazard or electric shock. Do not use an extension cord or an adapter plug. Do not remove any prong from power cord.

Grounding type wall receptacle

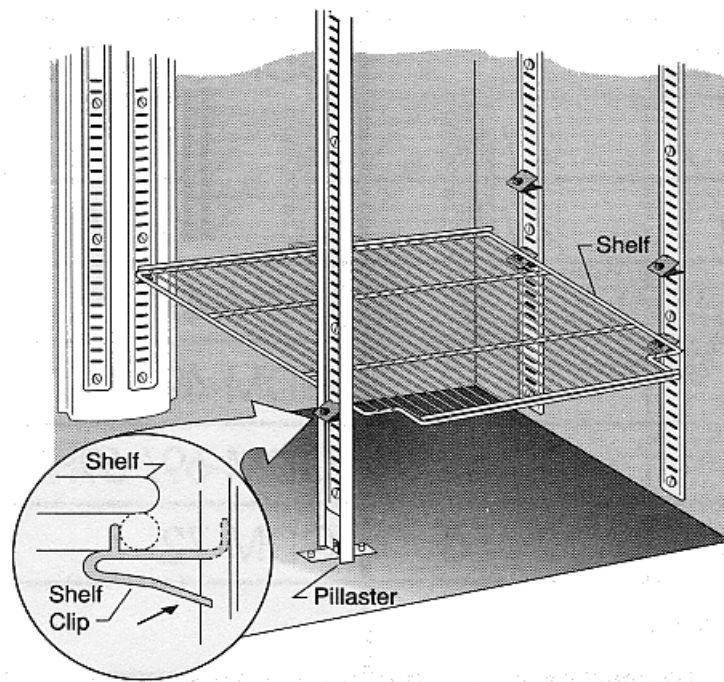
Do not under any circumstances cut, remove, or bypass the grounding prong from this plug.

Power supply cord with 3-prong grounding plug

## SHELF INSTALLATION

Hook shelf clip onto pilaster strips (See below). Position all four shelf clips equal in distance from the floor for flat shelves. Wire shelves are oriented so that cross support bars are facing down.

Place shelves on shelf clips making sure all corners are seated properly.



## TEMPERATURE CONTROL

**NOTE:** The controls are preset at the factory to provide the desired air and product temperatures inside of the units and require no further adjustment. Please contact the manufacturer's Technical Support Department before making any adjustment to make sure the adjustment is necessary and, if so, to ensure it is performed properly.

The Digital Microprocessor Temperature Controller is located inside the top of the refrigerator. The operation of this controller is explained in the section starting on page 14 of this manual.

## INTERIOR LIGHT

The interior light is controlled by a rocker switch located on the top right in the interior of the refrigerator.

## REFRIGERATOR OPERATION

After the unit is properly installed and power is applied, it will take some time before the system is cooled down to temperature and cycling normally. You should wait 8 hours on the first startup before beginning to add product to the unit. This ensures that the unit is installed and operating properly before being put into service. On subsequent startups (after cleanings, for example), this wait time can be reduced to about 3 hours. After this wait time, the unit should be cycling in the desired temperature band. The units are calibrated before leaving the factory, so no adjustment should be necessary.

Loading the units will again cause temperature to rise as the warmer product is introduced into the compartment. If a large amount of product is to be introduced, it is a good idea to do it in stages, allowing several hours between stages to allow temperature to stabilize again before introducing additional warm product. This will minimize the temperature transient while loading. Other tips for successful loading include:

- Leave about 2-3 inches of free space along the back and sides of the unit to allow for proper air flow and, therefore, more even cooling of the product.
- When loading the top shelf, avoid blocking the evaporator fan(s) (if installed). There should be at least 4 inches of clearance below the fan(s) to allow proper air flow.
- Do not overload the unit. Maximum suggested load is about 75% of chamber capacity. Additionally, the load should be distributed evenly from top to bottom and side to side for best results.
- Minimize the time the door is open. On top of letting the cold air out, you are also letting warm, moist air in which can result in more condensation and/or frost in the unit.

Remember that the units are calibrated to the desired temperature band before leaving the factory. We also do extensive testing to ensure that these temperatures will result in product temperatures in the desired band. There should be no need to adjust the temperature control on these units, but if it is necessary, they can be adjusted using the manual thermostat on the inside of the unit.

**It is STRONGLY RECOMMENDED that you contact the manufacturer's Technical Support Department prior to performing any temperature adjustments to ensure the adjustment is necessary and, if so, it is performed correctly.**

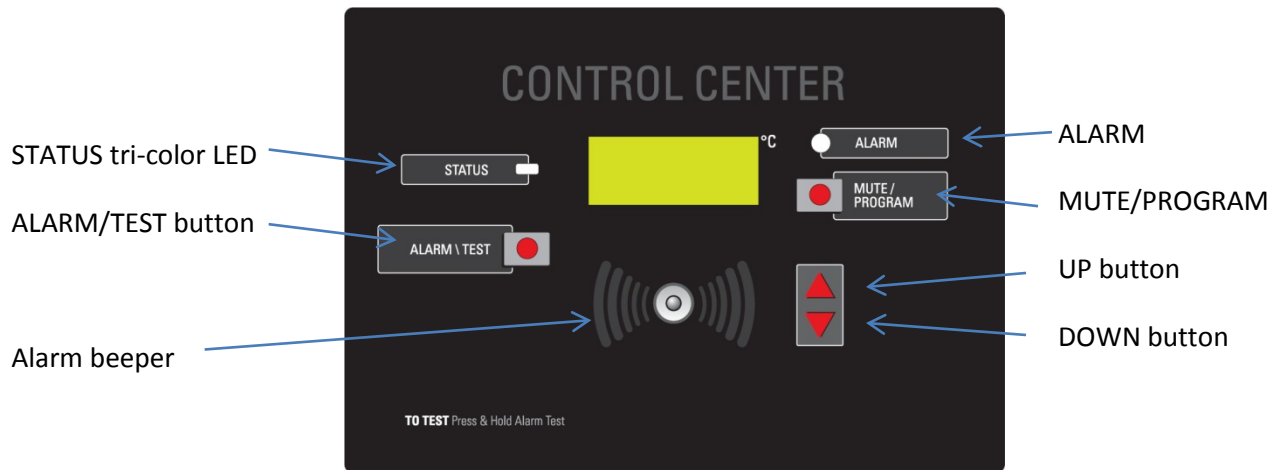


## CONTROL CENTER -- TEMPERATURE MONITOR SYSTEM

The temperature control center (monitor) system on the front of the unit provides the following functions-

- to provide an indication of the sample temperature inside of the compartment
- to provide a local alarm at the unit in the event an out of range temperature exists
- to provide the ability to connect remote systems to provide remote alarms or notifications in the event of an out of range temperature.
- to provide the ability to adjust set points, as well as program and test other parameters associated with the alarm system (i.e. delay times, system status).
- a battery backup, which will maintain the alarm system for several hours after a power failure to allow for continued alarm and notification functions.

**The temperature monitor system does NOT control the temperature of the unit.** That function is performed by the Microprocessor Digital Temperature Control, which is preset at the factory and should not need to be adjusted by the user.



### CONTROL CENTER PANEL

The LCD Display shows the temperature in °C

- In the event of a loss of power, the display shows a BAT message to indicate that the monitor is running on the battery. If the battery is low, the BAT message will blink.

The STATUS tricolor LED shows the status of the unit.

Green = normal run mode

Amber = program mode

Red = temperature is out of range (The light blinks off briefly each second to show the unit is active)

The ALARM/TEST push-button interrupts line power, to allow testing of the battery and the alarm relay.

The bright red ALARM LED shows alarm conditions.

- In alarm mode, it flashes every half-second.
- In alarm mute mode, it gives a short blink every second.
- In battery mode, it gives a short blink every two seconds.

The BEEPER shows alarm conditions and user activity.

- In alarm mode, it gives a long beep.
- In alarm mute mode, it gives a short chirp.
- It gives an audible tick to indicate a button has been pressed.

The MUTE/PROGRAM button has three functions.

- In Normal Run mode, if the unit is beeping, pressing the button will mute the beeper for a preset time. Each time the button is pressed the mute time resets.
- Holding the button down for two seconds takes the unit out of Normal Run mode and into Programming mode. At the same time, it mutes the beeper.
- When in Programming mode, pressing the button steps the unit through the various programming parameters.

The UP button has a different function for each operating mode.

- In Normal Run mode, pressing the button causes the high temperature set point to be displayed.
- In Programming mode, pressing the button increases the displayed parameter value.

The DOWN button has a different function for each operating mode.

- In Normal Run mode, pressing the button displays the low temperature set point.
- In Programming mode, pressing the button decreases the displayed parameter value.

## **BASIC OPERATION**

The Control Center Monitor has two modes: NORMAL RUN MODE and PROGRAMMING MODE.

In Normal Run mode, the display shows the temperature that the probe is reading to the lowest whole number, i.e., if it shows a value of 10.0°, the actual temperature can range from 10.0 to 10.9.

Press the UP button to cause the display to show the high temperature set point.

Press the DOWN button to cause the display to show the low temperature set point.

The Control Center compares the probe's temperature reading to HIGH and LOW temperature set points. The STATUS LED glows green when the probe reads an in-range temperature (between the two set points) and red when the temperature is out of range (equal to or outside the set points).

The Control Center will not declare an alarm until the out-of-range state has continued for a specified time (the "alarm delay"). This alarm delay time is designed to prevent transient, nuisance alarms.

When an alarm condition is declared, the BEEPER and ALARM LED will both activate. Press the MUTE/PROGRAM button to stop the beeper for a specified time, changing the sound to short 'chirps'. When the temperature goes back within range, and there are no out-of-range readings for thirty seconds, the chirping stops and the MUTE/PROGRAM button resets. If another out-of-range condition then occurs, the beeper will again start at full volume.

After the user-programmable "SILENCE" parameter times out, if the alarm condition still exists, the beeper will annunciate again at full volume until MUTE/PROGRAM is pushed.

### **Battery Back-Up (B)**

The Control Center has a battery back-up option. It ships with the battery in place and connected. Remove the white nylon screw located on the lower left side of the module to activate the battery option.

When line power is present, all of the normal features of The Control Center are operating. When line power is lost, the battery provides power to maintain two important functions:

- Operate the audio and visual alarms. They flash/beep less frequently than usual, in order to avoid draining the battery.
- Continue to display the temperature of the area being monitored. The display will flash, to save power.

### **Testing the battery:**

The battery recharges when the unit is plugged into line power. To test the battery, push the ALARM/TEST button on the front panel. The following should happen:

- The ALARM LED will flash red.
- The beeper alarm will begin to chirp.
- The remote alarm relay will switch.

### **PROGRAMMING**

#### **To program The Control Center Monitor:**

1. Hold the MUTE button for two seconds to bring the unit into Programming mode.
2. The display will show the first parameter that can be programmed (high temperature limit). The name of the parameter will flash, then the current value of that parameter.
3. To change the value of a parameter, press the UP or DOWN buttons. Pressing either button will change the parameter value by one count.
4. Holding either button for half a second will change the parameter value by 10 counts. It will continue to step by 10 for each push, so long as the pushes occur within a short period.
5. Once the Monitor is in Programming mode, each time the Mute button is pressed, the display steps to the next parameter. As the display steps to the next parameter, the value of the previous parameter is saved. Once the final parameter is reached, pressing the MUTE button returns the monitor to Normal Run mode, saving the final parameter.

#### **Description of Parameters for Control Center:**

##### **Hi (High Limit)**

In Normal Run mode, the alarm will trigger if the probe reads a temperature equal to or above the high temperature limit. The high temperature limit cannot be set above the operating temperature range of the unit.

##### **Lo (Low Limit)**

When in Normal Run mode, the alarm will trigger if the probe reads a temperature equal to or below the low temperature limit. The low temperature limit cannot be set below the operating temperature range of the unit.

##### **Ad (Alarm Delay)**

The Control Center will not declare an alarm until the out-of-range state has continued for a specified time (the "alarm delay"). This alarm delay time will prevent transient nuisance alarms. The alarm delay time can be set for 0 to 30 minutes.

### rd (Relay Delay)

If there is an alarm condition, the relay contacts will switch. The relay delay parameter allows the user to set the amount of time delay from the start of the alarm condition to the time the relay contact switches. This keeps the relay from switching during short “nuisance alarms”. The operator may set the relay delay time for 0 to 30 minutes.

### SIL (Alarm Silence, or Alarm Mute Time)

This parameter sets the number of minutes the beeper will “chirp” when the mute button is pressed during an alarm condition. After the Silence Time elapses, if the alarm condition still exists, the beeper will begin to sound at full volume again. This parameter can be set from 5 to 120 minutes.

### Remote Alarm Contacts

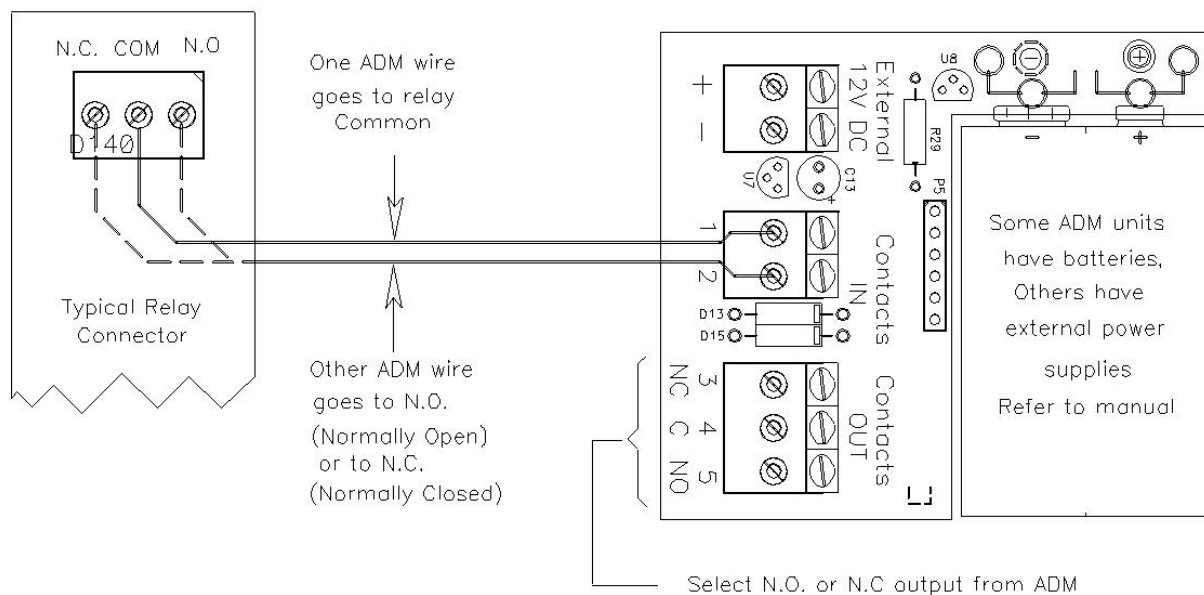
The Remote Alarm Relay is a single-pole double-throw (SPDT) relay that changes state (switches) with the loss of line power or with the presence of an alarm condition.

NOTE: The relay is rated for pilot duty operation only. Do NOT use it for control switching. The relay contacts and connections are rated at 30v/1A.

In normal applications, the relay signals remote alarms or central monitoring systems that an alarm condition has occurred at the unit being monitored.

The relay will “pull-in” when line power is present. If an alarm condition lasts for a designated time (the “relay delay”), the relay will “drop out”, causing the relay contacts to switch. If the alarm condition does not last long enough for the relay delay to time out, the relay will not go into its alarm position. The relay will also “drop out” if power to the alarm is lost, acting as a power loss detector.

The diagram below is an example of hooking up our external relay output to a remote alarm.



## DIGITAL MICROPROCESSOR TEMPERATURE CONTROLLER

### Product Description

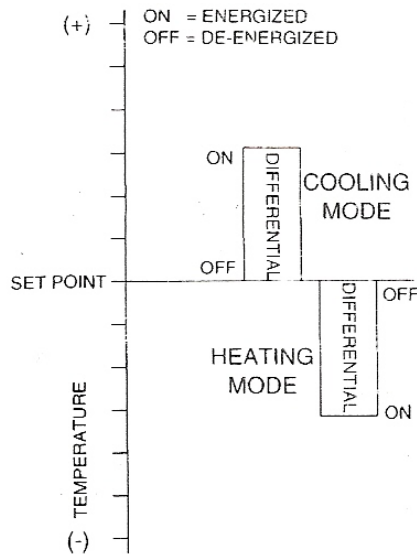
The digital microprocessor temperature controller is designed to provide on/off control of refrigerators or freezers. The controller also provides a constant readout of the air temperature inside of the unit. A touch keypad allows the user to easily select the display units, set point, differential set point, and heating or cooling mode.

**Please Note: The digital temperature controller has been factory set and tested to allow your unit to operate at its desired temperature cycle. Adjusting the settings on the controller will alter these factory settings. WE STRONGLY RECOMMEND YOU CONTACT THE MANUFACTURER'S TECHNICAL SUPPORT DEPARTMENT BEFORE MAKING ANY ADJUSTMENTS TO THIS CONTROLLER.**



**Programming**

Procedure	Display	Description	Display
To start programming, press the <b>SET</b> key once to access the Fahrenheit / Celsius mode. The display shows the current status, <b>F</b> for Fahrenheit or <b>C</b> for Celsius. Press up or down arrow to toggle between the <b>F</b> or <b>C</b> .	<b>F</b> or <b>C</b>	Fahrenheit or Celsius Scale	
Press <b>SET</b> key again to access the set point mode. The LCD will display the current set point and S1 will be blinking. Press the up and down keys to adjust to the desired setting.	<b>S1</b> (blinking)	Setpoint Temperature	
Press <b>SET</b> key again to access the differential mode. The LCD will display the current differential and <b>DIF1</b> will be blinking. Press the up and down keys to adjust to the desired setting.	<b>DIF 1</b> (blinking)	Differential Temperature	
Press <b>SET</b> key again to access the cooling or heating mode. The LCD displays the current mode, <b>C1</b> for cooling or <b>H1</b> for heating. Press up or down key to toggle between <b>C1</b> and <b>H1</b> . Press the <b>SET</b> key again. Programming is complete.	<b>C1</b> / <b>H1</b>	Cooling or Heating mode	



**Figure 1: Setpoint and Differential Settings.** Diagram indicates relay on and off points in either the heating or cooling modes.

**Error Messages**

Display	Messages	Corrective Action
E1	Appears when either the up or down key is pressed when not in the programming mode	If the E1 message appears even when no keys are being pressed, replace control.
E2	Appears if the control settings are not properly stored in memory.	Check all settings and correct if necessary.
EP	Appears when the probe is open, shorted or sensing a temperature that is out of range.	Check to see if the sensed temperature is out of range. If not, check for probe damage by comparing it to a known ambient temperature between -30°F and 220°F. Replace the probe if necessary.
EE	Appears if the EPROM data has been corrupted.	This condition cannot be field repaired. Replace the control.
CL	Appears if calibration mode has been entered.	Remove power to the control for at least five seconds. Reapply power. If the CL message still appeared, replace the control.



## QUICK TROUBLESHOOTING GUIDE

Check these items before calling for service

PROBLEM:	POSSIBLE CAUSE / SOLUTIONS:
Unit does not run	<ul style="list-style-type: none"> <li>• Electrical circuit is not 110-120V 60Hz.</li> <li>• The power cord is not plugged in.</li> <li>• No power at electrical outlet. Check to make sure breaker is not tripped or fuse is not blown. Additionally, make sure unit is not plugged into a Ground Fault Circuit Interrupter (GFCI) type of outlet.</li> </ul>
Unit does not maintain at the proper temperature	<ul style="list-style-type: none"> <li>• Check the room temperature. We recommend the refrigerator or freezer should be placed in the air conditioned room between 65°F to 85°F. If the room temp is too warm, the refrigerator or freezer may not be able to maintain the interior temp at proper range.</li> <li>• Door is not closed properly.</li> <li>• Amount of stored product is overloaded.</li> <li>• Product replacements are pushed against rear wall or interrupted the proper refrigerator air circulation. For the proper air circulation, place the products evenly on each shelf. Do not push against the refrigerator's rear or side walls.</li> <li>• Evaporator is blocked by frost or ice. Remove the products, unplug the refrigerator or freezer power, and allow the unit to defrost. If the problem still exists, call for service.</li> <li>• 3<sup>rd</sup> party thermometer is placed incorrectly. For proper temperature monitoring, the thermometer should be place in the middle of refrigerator.</li> </ul> <p><b>PLEASE NOTE!</b> Prior to shipment, each refrigerator and freezer has been calibrated and tested at proper temperature range.</p>
Appliance runs too long	<ul style="list-style-type: none"> <li>• Prolong door openings.</li> <li>• Control set too cold.</li> <li>• Room temperature is high which will make the unit work harder to keep cool.</li> </ul>
Temperature of external wall surface is warm	<ul style="list-style-type: none"> <li>• The exterior walls can be as much as 30 degrees warmer than room temperature due to the embedded condenser coils. This is normal when the unit is operating.</li> </ul>

PROBLEM:	POSSIBLE CAUSE / SOLUTIONS:
Compressor noises	<ul style="list-style-type: none"> <li>• Compressor may be overheated. Please check the room temp and ensure the range is within 65°F to 85°F. If the problem still exists, call for service.</li> </ul>
Moisture collects inside	<ul style="list-style-type: none"> <li>• Door gasket is not sealing properly. Check for debris, cracks, and items passing through door at the gasket.</li> <li>• The refrigerator or freezer is facing a doorway or is underneath of air conditioning vent. Relocate the unit or redirect air vent.</li> <li>• Too many door openings. Minimize time door is open.</li> <li>• Hot, humid weather increases condensation.</li> <li>• Make sure there is a water trap (U-shaped loop) in the drain tube near the compressor. This will “trap” a small amount of water in the loop and prevent air from entering the chamber through the tube.</li> </ul>
Moisture collects on outside surface	<ul style="list-style-type: none"> <li>• Hot, humid weather increases condensation.</li> <li>• As humidity decreases, moisture will disappear.</li> </ul>
Odor inside the unit	<ul style="list-style-type: none"> <li>• Interior needs to be cleaned. See section on maintenance and cleaning in this manual.</li> <li>• Make sure product containers are tightly sealed to prevent leakage</li> </ul>
Door will not close	<ul style="list-style-type: none"> <li>• The unit is not level. Refer to the Leveling section at the beginning of this manual</li> <li>• Check for dirt and debris or items passing through the door seal.</li> </ul>

**MOISTURE DURING THE SUMMER SEASON**

The amount of moisture, condensation, or high humidity related issues increase during the summer and, in most cases, will self-resolve when the weather cools down. Please note a refrigeration system will NOT generate moisture or water but simply condenses the moisture that is already in the chamber. Keeping the unit in an air conditioned, low humidity space will resolve many issues.

Other things you should check

1. Location of the refrigerator (See Quick Troubleshooting Guide above)
2. Door sealing and frequency of door opening event (See Quick Troubleshooting Guide above)
3. Make sure there is a water trap (U-shaped loop) in the drain tube near the end. This will “trap” a small amount of water in the loop and prevent air from entering the chamber through the tube.

**BEFORE CALLING THE MANUFACTURER’S TECHNICAL SUPPORT DEPARTMENT,** please have the unit’s model and serial number ready as well as the problem description. The model and serial number is located on the serial tag which can be found on the interior left upper wall of the unit.

## MAINTENANCE AND CLEANING

### CLEANING

PART	CLEANING AGENTS	TIPS AND PRECAUTIONS
Interior and Door Liners	Soap and water Baking soda and water	Use 2 tablespoons of baking soda in 1 quart of warm water Be sure to wring excess water out of sponge or cloth before cleaning around controls, light bulb or any electrical parts.
Door Gaskets	Soap and water	Wipe gaskets and their seating surfaces with a clean soft cloth
Shelves	Soap and water	Do not wash removable shelves in dishwasher
Exterior and Handles	Soap and water Non Abrasive Glass Cleaner	Do not use commercial household cleaners, ammonia, or alcohol to clean handles Use a soft cloth to clean smooth handles Do not use a dry cloth to clean smooth handles

Clean the glass with a mild detergent and water on a soft cloth or sponge. Rinse with water and wipe dry.

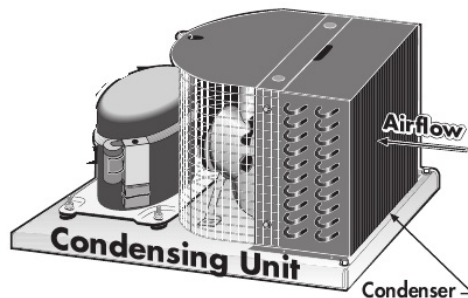
For Sliding door units, dust and debris can begin to build up in the door track. To clean the door track the doors should be removed and the track cleaned with mild detergent and water on a soft cloth or sponge. Rinse with clean water and wipe dry. Contact technical support if you have difficulty removing the doors.

For Swinging door units, pay particular attention to the gasket and its seating surfaces. Any debris buildup on these can cause air leaks into the compartment resulting in condensation as well as reduced efficiency.

## CONDENSER MAINTENANCE

### ***IMPORTANT WARRANTY INFORMATION***

- Air is pulled through the condenser continuously during operation. Along with this air come impurities like dust, lint, grease, etc.
- These impurities accumulate in the condenser. Dirty condensers result in inefficient operation, compressor failure and potential product loss ***which are not covered by warranty.***
- If you keep the condenser clean, you will minimize your service expense and lower your electrical costs. **The condenser requires scheduled cleaning every 30 day** (or more frequently in dirty environments).
- Proper cleaning involves removing dust from the condenser. This can be accomplished using a soft brush, by vacuuming, and by blowing through the condenser coils with pressurized air, CO<sub>2</sub>, or nitrogen.
- **REMEMBER, THE CLEANING OF THE CONDENSER IS NOT COVERED BY THE WARRANTY AND IS YOUR RESPONSIBILITY. ANY DAMAGE CAUSED BY FAILURE TO KEEP THE CONDENSER CLEAN IS ALSO NOT COVERED BY THE WARRANTY.**



## CLEANING THE CONDENSER

1. Disconnect the electrical power to the unit
2. Removed the louvered grill at the base of the unit. Locate the condensing unit.
3. **CAUTION: Use eye protection while performing the steps 4-6 to avoid eye injury.**
4. Vacuum the dirt from the condenser coil fins. Use a soft brush to help dislodge the dirt from the coil fins and around the coil ends.
5. When properly cleaned, you should be able to see through the condenser unit (try shining a flashlight through to the other side).
6. If necessary, use compressed air, CO<sub>2</sub> or Nitrogen to blow through the coils. Limit air pressure to approx. 30 psi.
7. When finished, be sure to replace the louvered grill as it provides protection for the condenser.
8. Reconnect the electrical power to the unit.

## **HORIZON SCIENTIFIC, INC. PRODUCT WARRANTY**

Horizon Scientific, Inc. warrants to the original purchaser every new Horizon Scientific, Inc. refrigerated unit, the cabinet and all parts thereof, to be free from defects in material or workmanship, when such unit is installed, used, and maintained in accordance with provided instructions, for a period of two (2) years. The warranty period starts two weeks from the date of shipment from Horizon Scientific, Inc. This two week period allows ample shipping time so that the warranty will go into effect at approximately the same time your equipment is delivered. Unless subject to prior written agreement with Horizon Scientific, Inc., this warranty does not allow for any warranty start deferment greater than two weeks from date of shipment due to a delayed installation and/or start-up. By purchasing any product from Horizon Scientific, Inc., you and any entity for which you are purchasing acknowledge and agree to each and every provision contained herein, and all other Notices and Terms provided to Purchaser by Horizon Scientific, Inc., which are hereby incorporated.

Under this warranty, Horizon Scientific, Inc., through its authorized service organizations, will repair, or at its option, replace any part found to contain a manufacturing defect in material or workmanship without charge to the owner for parts and service labor. Replacement or repaired parts will be warranted for only the unexpired portion of the original warranty. Horizon Scientific, Inc. will not assume any shipping or cartage costs for parts under warranty. These costs shall be paid by the customer.

### **ADDITIONAL THREE YEAR COMPRESSOR WARRANTY**

In addition to the two (2) year warranty stated above, Horizon Scientific, Inc. warrants its hermetically and semi-hermetically sealed compressors to be free from defects in both material and workmanship under normal use and service for a period of three (3) additional years from the end of the initial two (2) year warranty period, but not to exceed five (5) years after shipment from Horizon Scientific, Inc.

Compressors determined by Horizon Scientific, Inc. to have been defective within this extended time period will, at Horizon Scientific, Inc.'s option, be either repaired or replaced with a compressor or compressor parts of similar design and capacity.

The three (3) year extended compressor warranty applies only to hermetically and semi-hermetically sealed parts of the compressor and does not apply to any other parts or components, including, but not limited to, cabinet, paint finish, temperature control, refrigerant, metering device, driers, motor starting equipment, fan assembly or any other electrical components.

Horizon Scientific, Inc.'s sole obligation under this warranty is limited to either repair or replacement of parts, subject to the additional limitations below. This warranty neither assumes nor authorizes any person to assume obligations other than expressly covered by this warranty.

**NO CONSEQUENTIAL DAMAGES.** Horizon Scientific, Inc. is not responsible for economic loss; profit loss; or special, indirect or consequential damages, including without limitation, losses or damages arising from contents spoilage claims whether or not on account of refrigeration failure, electrical failure, power failure, or compressor failure. HORIZON SCIENTIFIC, INC.'S MAXIMUM CUMULATIVE LIABILITY RELATIVE TO ALL CLAIMS AND LIABILITIES, INCLUDING OBLIGATIONS UNDER ANY INDEMNITY, WHETHER OR NOT INSURED, SHALL NOT EXCEED THE COST OF THE PRODUCT(S) GIVING RISE TO THE CLAIM OR LIABILITY.

**WARRANTY IS NOT TRANSFERABLE.** This warranty is not assignable and applies only in favor of the original purchaser/user to whom delivered. Any such assignment or transfer shall void the warranties herein made and shall void all warranties, express or implied, including any warranty of merchantability or fitness for a particular purpose.

**NO IMPLIED WARRANTY OF MERCHANTABILITY OR FITNESS FOR A PARTICULAR PURPOSE.** There are no other warranties, express, implied, or statutory, except the two (2) year warranty and the additional three (3) year compressor warranty as described above. These warranties are exclusive and in lieu of all other warranties, including implied warranty and merchantability or fitness for a particular purpose. There are no warranties which extend beyond the description on the face hereof, whether based on contract, warranty, tort (including negligence), strict liability, indemnity, or any other legal theory, and whether arising out of warranties, representations, instructions, installations, or non-conformities from any cause. Purchaser further acknowledges that the purchase price of the Product reflects these warranty terms and remedies.

**ALTERATION, NEGLIGENCE, ABUSE, MISUSE, ACCIDENT, DAMAGE DURING TRANSIT OR INSTALLATION, FIRE, FLOOD OR OTHER EXTERNAL CAUSES.**

Horizon Scientific, Inc. is not responsible for the repair or replacement of any parts that Horizon Scientific, Inc. determines have been subjected after the date of manufacture to alteration, neglect, abuse, misuse, accident, damage during transit or installation, fire, flood or other external causes. It does not apply to defects resulting from failure to properly install, operate or maintain the product in accordance with the printed instructions provided, or damage caused by the storage of any corrosive material that comes in contact with the interior or exterior portions of the cabinet, or the use of spark producing equipment or containers (such as galvanized or carbonized steel containers) that come in contact with any interior portion of the cabinet.

**OUTSIDE U.S./CANADA.** This warranty does not apply to, and Horizon Scientific, Inc. is not responsible for, any warranty claims made on products sold or used outside the United States and Canada.

**CHOICE OF LAW/VENUE.** The laws of the State of South Carolina shall govern the validity, interpretation and enforcement of this warranty, regardless of conflicts of law principles. Purchaser agrees that proper venue for any action to enforce the terms of this warranty shall be the Dorchester County District Courts, South Carolina. Purchaser submits the jurisdiction of such courts over the Purchaser and the subject matter of any such action. Any action for breach of these warranty provisions must be commenced within one (1) year after that cause of action has accrued.

**WARRANTY CLAIMS.** To obtain prompt warranty service, simply contact the manufacturer at 800-648-4041. Horizon Scientific, Inc.'s shipping records showing date of shipment shall be conclusive in establishing the warranty period. All claims should include: model number of the refrigerator, the serial number of the cabinet, proof of purchase, date of installation, and all pertinent information supporting the existence of the alleged defect. Any repairs must be authorized by Horizon in order for the warranty to be honored.