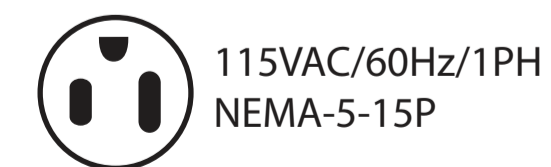
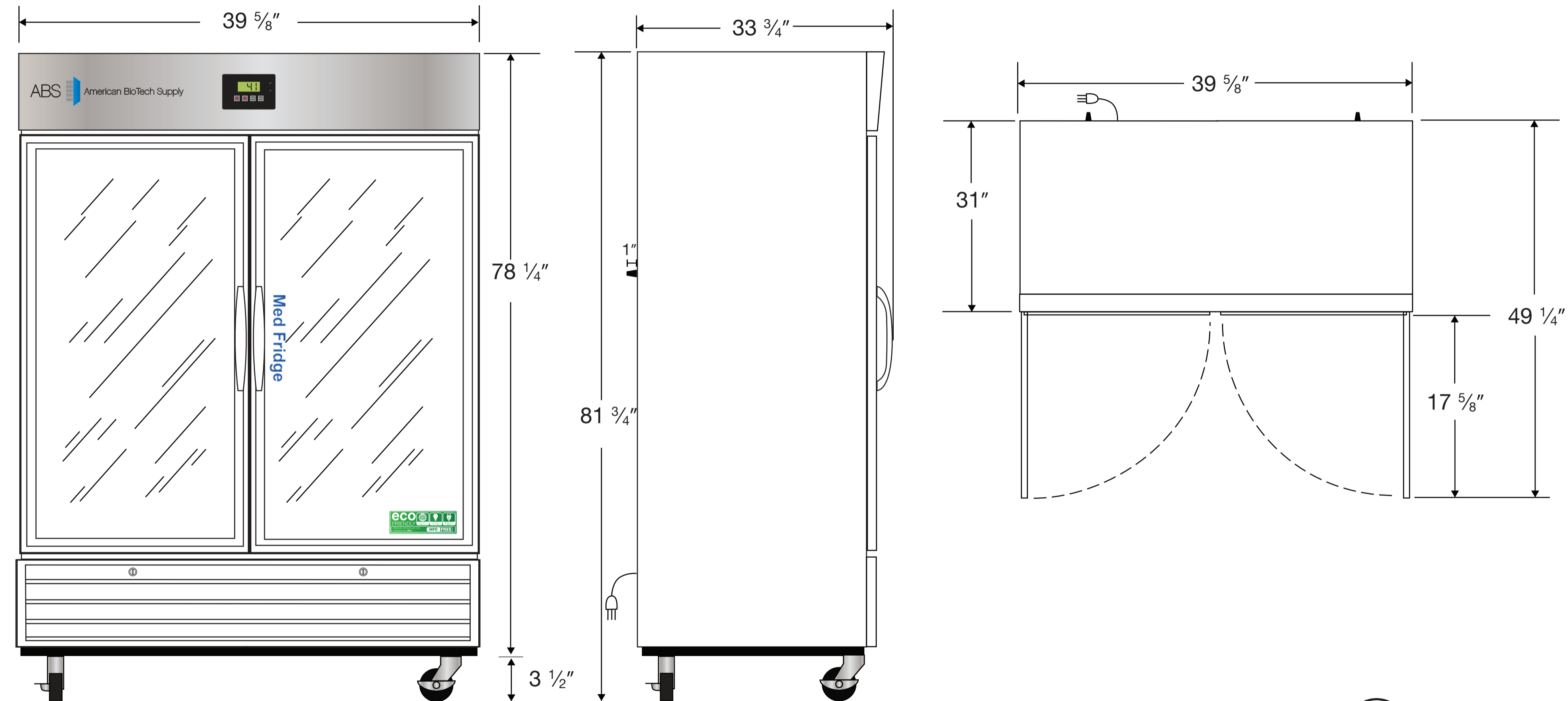


**Exterior  
PH-ABT-HC-36G**

**Front View**

**Side View**

**Top View**



Cu. Ft	Defrost	Door	Int Door	Shelves	W"	D"	H"	Refrigerant	H.P.	Amps	Weight
36	Cycle	2 Glass	0	12 Adj	39 5/8	34 3/4	81 3/4	R290	1/4	4.5	355 lbs.