

SPECIFICATIONS

Nominal ventilation airflow (CFM)	150 CFM
Capacity ⁽¹⁾ pints/day	100 ppd
Energy factor ⁽¹⁾	2.6 L/kW-h (5.5 pints/kW-h)
Airflow @ varying E.S.P. (external static pressure - dry coil)	
0.0" w.c.	280 CFM
0.2" w.c.	245 CFM
0.4" w.c.	210 CFM
Voltage, phase, frequency	120VAC, 1 phase, 60 Hz
Current draw ⁽¹⁾	6.9 Amps
Noise-Fan Only	52.8 dBA (ducted)
Noise-Compressor and Fan	55.0 dBA (ducted)
Dimensions: (combined cabinets)⁽²⁾	
	Width: 14½"
	Height: 23½" w/o adjustable feet
	Length: 48¼"
Weight	
-E100V Unit Weight:	64 lbs.
-E100V Shipping Weight:	82 lbs.
-8190FF Unit Weight:	13.7 lbs.
-8190FF Shipping Weight:	16.8 lbs.
Inlet air operating conditions during	
-Dehumidification:	50°F-104°F, 40°F dew point min.
-Ventilation:	40°F-140°F, 0%-99% RH

⁽¹⁾Rated capacity, energy factor and current draw measured at 80°F/60% RH inlet air at 0.0 ESP.
⁽²⁾Height does not include adjustable feet. Length includes the duct collars, and width includes the filter doors.

FEATURES

Control	Built-in digital control with display
Cabinet insulation	1/2" EPS
Air discharge orientation	Top
Inlet/Outlet duct collars	10" round
Backflow damper at outlet	Included
Air filter	Washable MERV 8
Refrigeration	R-410A
Coil type	Corrosion-resistant aluminum
8' Power cord type	Plug type
Drain connection ⁽³⁾	3/4" PVC adapters
Warranty	5 Years

⁽³⁾Thread adapter and barbed fitting for clear drain tubing included.



MODELS

- + Model E100V - Dehumidifier (requires 8190FF)
- + Model 8190FF - Ventilation Plenum for Aprilaire Dehumidifier

FEATURES

- + E100V Dehumidifier is wired specifically for use with the 8190FF Ventilation Plenum
- + Patent-pending ventilation design
- + Removes moisture from outdoor air before it enters the living space
- + Unit is designed, when properly installed, to achieve ASHRAE Standard 62.2
- + Integral moisture and ventilation control
- + Optional ventilation control via thermostat (see below)
- + High and low temperature limit lock-outs
- + Simple plug-in installation
- + Installation temperature range up to 140°

RECOMMENDED CONTROLS

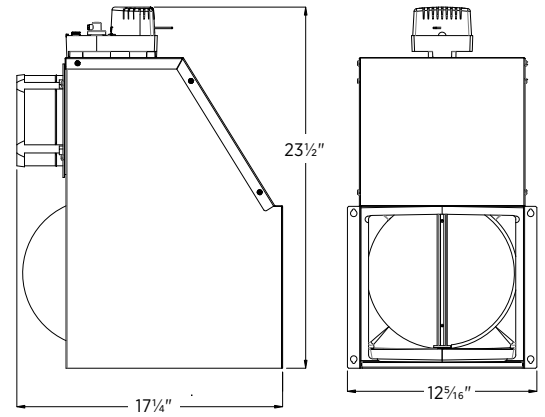
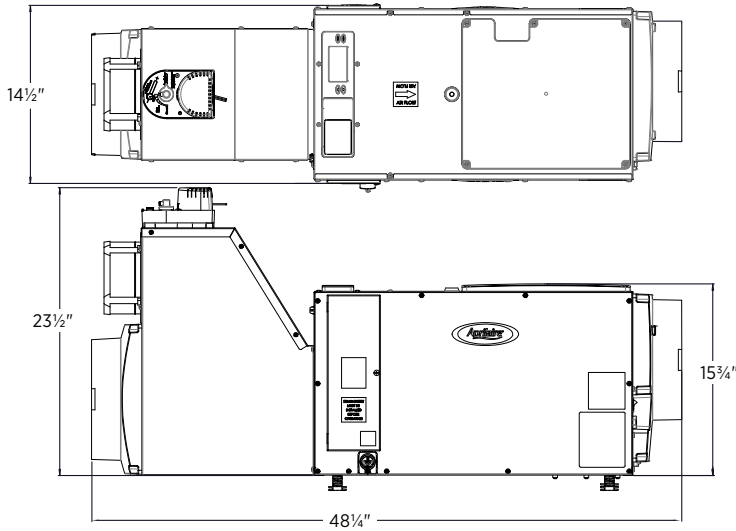
- + Aprilaire Thermostat Models
-8620, 8620W -8910, 8910W -8920W
- + Aprilaire Communicating Thermostat Models
-8820 -8830 -8840
- + Zone Control Systems
-6010 -6015 -6020 -6025
-6030 -6035 -6040 -6045

BENEFITS

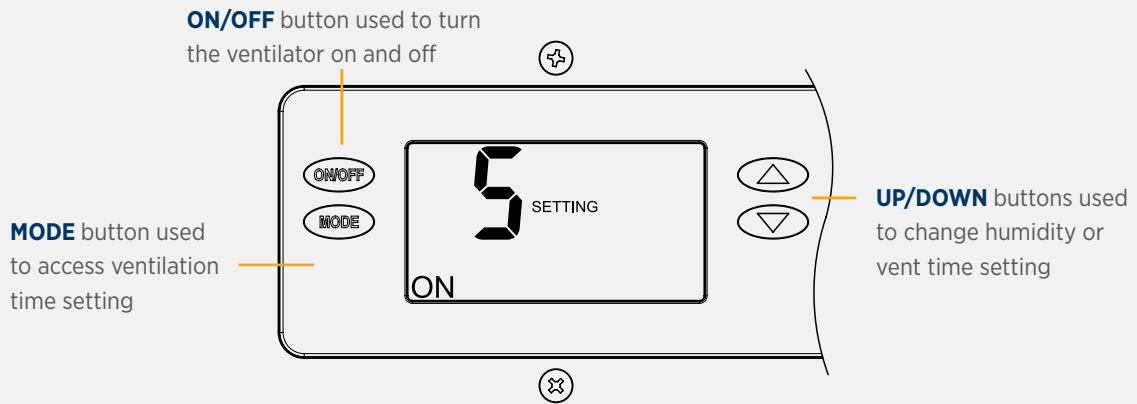
- + Helps control RH in the home during periods when the air conditioning system does not run long enough to remove sufficient moisture. If air conditioner can satisfy RH requirements, the Aprilaire unit's compressor shuts off
- + Optimize energy savings by locking out ventilation during hottest/coldest times of the day
- + Improves indoor air quality
- + Installation labor reduced, requires only a power outlet and 24 volt wiring to HVAC system

When properly installed and set, the Aprilaire Ventilating Dehumidifier will meet the mechanical ventilation requirements of:

- + ASHRAE 62.2
- + Energy Star Certified Homes
- + EPA Indoor airPLUS
- + International Residential Code (IRC)

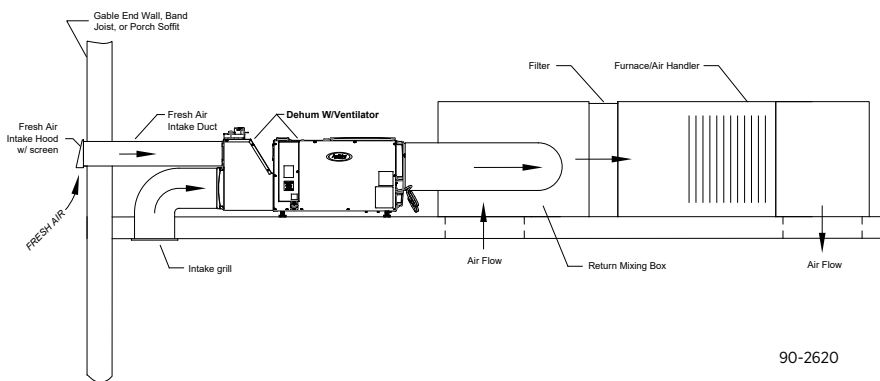


90-2064



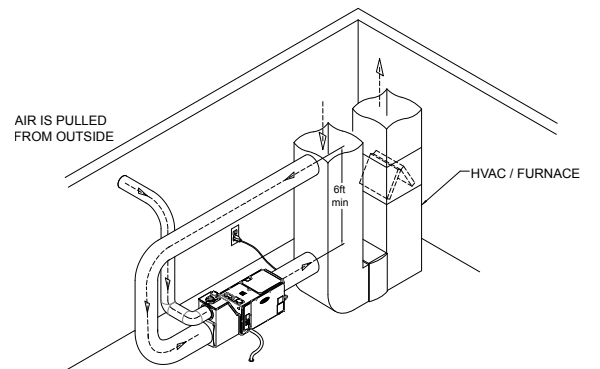
Ducting the Ventilating Dehumidifier

ATTIC INSTALLATION



90-2620

BASEMENT INSTALLATION



90-2621

P.O. Box 1467
 Madison, WI 53701-1467
 800.334.6011 F: 608.257.4357

AprilairePartners.com
 Form No. 3065 • 307140 2.21
 ©2021 Aprilaire - Division of Research Products Corporation

APRILAIRE RESERVES THE RIGHT TO CHANGE SPECIFICATIONS WITHOUT NOTICE.

