

COOL-SPACE® 200

Powerful cooling comes in a convenient, portable package with Cool-Space 200. When maximum cooling is needed and floor space is at a premium, its stackable design allows multiple units to work in tandem, ensuring workers stay productive and guests stay comfortable.



KEY FEATURES

- ▶ Quickly cool indoor and outdoor spaces by up to 33 °F (18 °C)
- ▶ Best suited for spot-cooling, workstations, and patios
- ▶ Ultra quiet, high-velocity motor
- ▶ 4-inch (10-centimeter) resin-treated cooling media
- ▶ Dual 10-inch (25-centimeter) fan diameter
- ▶ 8-gallon (30-liter) reservoir lasts up to 3 hours without hose connection

COVERAGE AREA

UP TO 800 SQUARE FEET
(75 SQUARE METERS)

AIRFLOW

UP TO 1,800 CFM

CONTROL

VARIABLE SPEED

VOLTAGE

110 VAC



BIG ASS FANS®

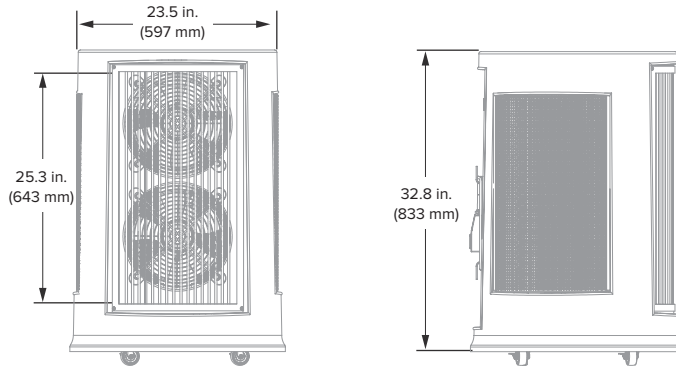
**EXCEPTIONALLY
ENGINEERED**

DISCOVER MORE ABOUT COOL-SPACE

Learn more at bigassfans.com/evaporative-coolers
or call **877.BIG.FANS** for a free custom quote.

COOL-SPACE® 200

DELIVER COOLER CONDITIONS AT A MOMENT'S NOTICE



Technical Specifications

Model	Motor	Ordering Information	Weight	Water Capacity	Inlet Water Supply Pressure	Input power and required breaker	Environment ¹	Amperage ²	Airflow and Coverage	Sound Level ³	Operating Temperature
Cool-Space 200	0.32 hp	F-EV1-1001S75V60	51 lb (23.1 kg)	8 gal (30.3 L)	120 PSI maximum	120 VAC, 60 Hz, 1Φ, 15 A	Well-ventilated indoor or outdoor space	2.7 A	900–1,800 cfm 800 sq ft	75 dBA	0 to 104 °F (-18 to 40 °C)

Construction

Housing	Motor	Power Supply	Water Supply	Cooling Media	Maintenance
Low-profile design UV-resistant roto-molded polyethylene housing Locking swivel casters	Variable speed high-efficiency, totally enclosed	10 ft (3 m) ground fault protected power cord plugs into standard electrical outlet Cord wrap for easy storage	Accepts standard garden hose or portable supply tank Water regulated by float valve Built-in reservoir for extended use	Made from 4 in. (102 mm) thick cross-corrugated, angle-fluted formulated cellulose	Convenient reservoir cap for easy water treatment access Drain plug for water removal



¹ Not suitable for salt air environments.

² Maximum amperage includes both the fan and pump maximum amperage ratings.

³ Fans are sound tested in a laboratory environment. Actual results in field conditions may vary due to sound reflecting surfaces and environmental conditions.

Lead times may vary. See full warranty for coverage information.



USA
BIGASSFANS.COM
877-244-3267

CANADA
BIGASSFANS.COM
844-924-4277

AUSTRALIA
BIGASSFANS.COM/AU
1300 244 277

SINGAPORE
BIGASSFANS.COM/SG
65 6709 8500

MALAYSIA
BIGASSFANS.COM/SG
603 5565 0888