

**READ AND SAVE THESE INSTRUCTIONS**

**LISEZ ET CONSERVEZ CES INSTRUCTIONS**

**LEA Y GUARDE ESTAS INSTRUCCIONES**



**EXCEPTIONALLY  
ENGINEERED**

# **COOL-SPACE<sup>®</sup> 300**

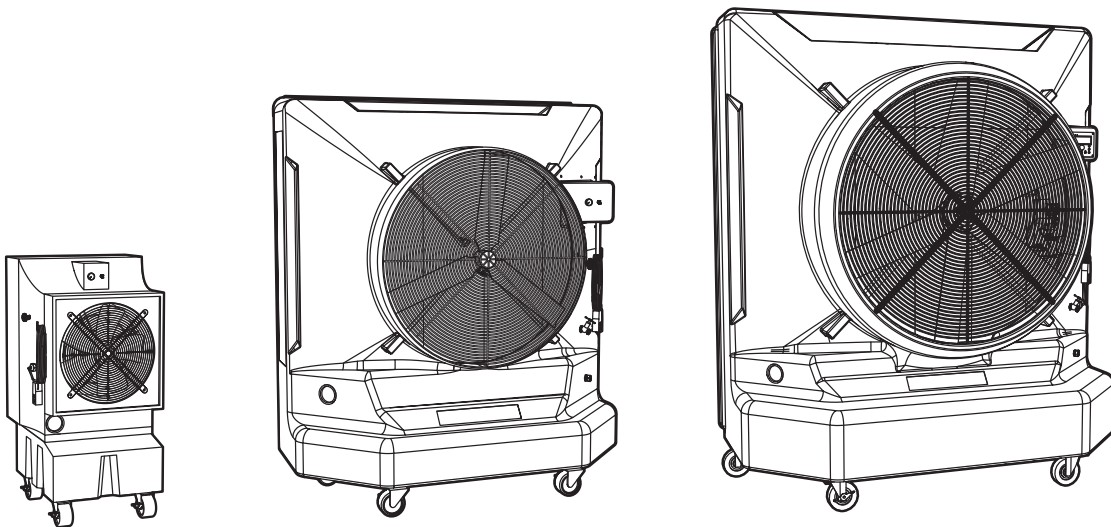
# **COOL-SPACE<sup>®</sup> 400**

# **COOL-SPACE<sup>®</sup> 500**

Operation and Maintenance Manual

Manuel de fonctionnement et d'entretien

Manual de operación y mantenimiento



F-EV1-1801  
F-EV1-1802  
F-EV1-3601  
F-EV1-3602  
F-EV1-5001  
F-EV1-5002

# READ AND SAVE THESE INSTRUCTIONS



**WARNING: ELECTRICAL SHOCK HAZARD.** Disconnect the power supply before performing service or maintenance. Failure to do so may result in serious injury or death.

**CAUTION:** Use caution when troubleshooting or repairing electrical components. Ensure power is disconnected from the cooler before the pads or fan guard are removed to gain access to the fan.

**CAUTION:** Repairs should be performed by a qualified technician.

**CAUTION:** Prolonged use of hard water without proper water treatment will create mineral deposit buildup. This will cause the pump to fail and is **NOT COVERED BY WARRANTY**.

**DANGER:** Hazard to humans and domestic animals. Keep water treatment tablets out of reach of children. Causes severe eye and skin damage. Keep away from eyes, skin, and clothing. Harmful if swallowed.

**DANGER:** Wear face shield or goggles and rubber gloves when handling water treatment tablets. In case of contact, flush with water and seek medical attention.

**WARNING:** To avoid contamination, do not store water treatment tablets near drinking water, food, or feed. Do not reuse the empty container. Dispose of contents/container in accordance with local/regional/national/international regulations.

The appliance is not to be used by children or persons with reduced physical, sensory, or mental capabilities, or lack of experience and knowledge, unless they have been given supervision or instruction.

Children being supervised should be instructed not to play with the appliance.

Maximum altitude: < 1000 m



Installation Guide  
Rev. G  
04/06/2022



Original English Instructions

[www.bigassfans.com/support](http://www.bigassfans.com/support)

Improper installation, delivery, or maintenance, including, but not limited to, any of the following actions by the customer or agent of the customer will constitute a breach of and will void all warranties:

- Failure to follow the required installation procedures specified in this Installation Guide and in all other documentation supplied with the fans and related equipment including documentation provided by the manufacturers of the individual fan and control components;
- Failure to follow all relevant codes and ordinances, including, but not limited to, the National Electrical Code (United States), applicable national and local electrical codes, and state and local building codes;
- Failure to follow electrical engineering industry standards regarding the approved method of installing solid-state electrical equipment having the characteristics of the fans, the fan controls, and their related components, even if such standards are not specifically referenced in any instructions or literature supplied by Big Ass Fans or provided by manufacturers.

All trademarks used herein are the properties of their respective owners. No part of this document may be reproduced or translated into a different language without the prior written consent of Big Ass Fans. The information contained in this document is subject to change without notice. For the most up-to-date information, see the online printable installation guide at [www.bigassfans.com](http://www.bigassfans.com)

Patent: [www.bigassfans.com/patents](http://www.bigassfans.com/patents) • [www.bigassfans.com/product-warranties](http://www.bigassfans.com/product-warranties)

# OPERATION CHECKLIST

- ☑ Check all hose connections.
- ☑ Use a 12 gauge cord if the cord is shorter than 50 ft (15 m) or a 10 gauge cord if the cord is longer than 50 ft (15 m).
- ☑ Provide fresh air intake for the cooler and maintain a minimum clearance of 3 ft (0.9 m) behind the cooler. Do not operate the cooler in an enclosed space.
- ☑ Make sure the the water source does not exceed 120 PSI (8 bar/827 kPa) of water pressure.
- ☑ Make sure the cooler's reservoir is filled with water before turning on the pump. The pump automatically shuts off if the water level is too low.
- ☑ Flush new cooling media.
  1. Fill the cooler with water.
  2. Turn on the pump.
  3. Run the cooler without the fan running for 5 hours.
- ☑ Make sure the cooling media is evenly saturated by using the control valve to adjust the water flow. Do not completely open the control valve. This may flood the cooling media.
- ☑ Dry out the cooling media before shutting down the cooler. Turn off the pump and leave the fan running for 10 to 15 minutes.
- ☑ Drain and clean the cooler weekly. Remove the cooling media and rinse with a garden hose.
- ☑ To avoid scale and mineral buildup, use water treatment tablets periodically. Tablets are provided in the cooler's reservoir according to the table below. Every 3 months, add the specified number of tablets to the reservoir after cleaning. Additional tablets are available by calling 877-244-3267.

Model	Number of tablets
Cool-Space® 300	1
Cool-Space 400	2
Cool-Space 500	3

# ASSEMBLY AND SETUP

**⚠ CAUTION:** Do not connect to a water source where water pressure exceeds 120 PSI (8 bar/827 kPa). This will cause permanent damage to the cooler.

**⚠ CAUTION:** If using an extension cord, do not exceed the cord's amperage ratings. Undersized extension cords create excessive drops in voltage, causing the electric motor to generate excess heat. This results in inefficient motor operation and premature motor failure and will void the warranty.

## Installing the casters (Cool-Space® 300 only)

1. Locate the package of four (4) casters and sixteen (16) bolts and remove from box.
2. Lay box on its side and carefully open bottom of box. **Do not stand box upside down.**
3. Install the four casters using the bolts.
4. Stand cooler up on casters and remove box.

The cooler has been factory tested and is ready to use. Place the cooler on level ground with the casters locked to prevent inadvertent movement.

## Connecting the water supply

The cooler comes equipped with a garden hose water source connection. Use a standard garden hose (not provided) to connect the water supply to the cooler.

## Connecting the electrical supply

Plug the cooler into a fused or breaker-protected circuit. Refer to the tables below for circuit size and extension cord requirements. **Cool-Space 500 models cannot be connected to a GFCI outlet.**

### Amperage and Circuit Requirements

Model	Volts +/- 10%	Frequency	Min. Circuit Size	Running Amps
Cool-Space 300	120 V	60 Hz	15 A	4.1 A
	220/230 V	50/60 Hz	10 A	1.8 A
Cool-Space 400	120 V	60 Hz	15 A	8.0 A
	220/230 V	50/60 Hz	10 A	5.0 A
Cool-Space 500	120 V	60 Hz	25 A	16.5 A
	220/230 V	50/60 Hz	15 A	8.6 A

### Three-Conductor Heavy Duty Extension Cord Requirements (120 V)

Cord Length	Cord Size			
	16 GA	14 GA	12 GA	10 GA
0–50 ft (0–15 m)	13 A	18 A	25 A	30 A
50–100 ft (15–30 m)	10 A	13 A	18 A	25 A

## Three-Conductor Heavy Duty Extension Cord Requirements (220/230 V)

Cord Length	Cord Size			
	1.5 mm <sup>2</sup>	2.5 mm <sup>2</sup>	4 mm <sup>2</sup>	5 mm <sup>2</sup>
6 m	13 A	15 A	15 A	15 A
16 m	13 A	14 A	15 A	15 A
32 m	10 A	12 A	13 A	15 A

# HANDLE (OPTIONAL)

The handle accessory is available for Cool-Space® 400 and Cool-Space 500.

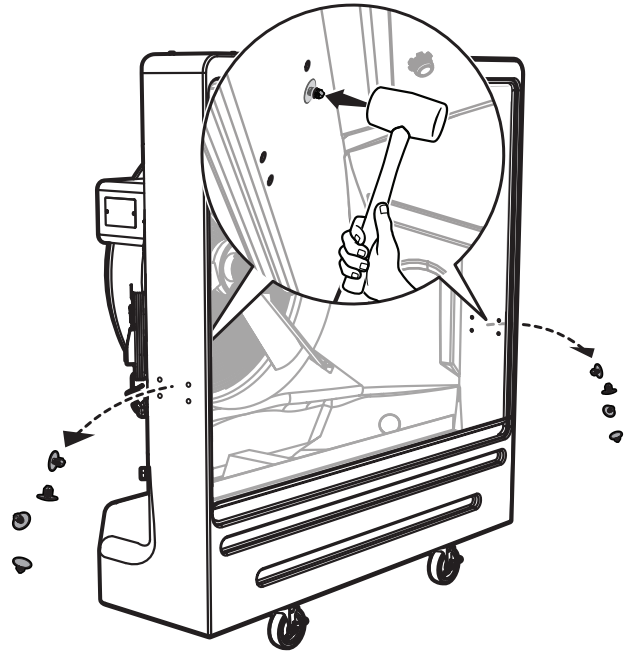
## 1. Remove media and knockouts

Remove the cooling media according to the Cooling Media Replacement instructions. Use a rubber mallet to remove the eight knockouts from the holes on the sides of the cooler.



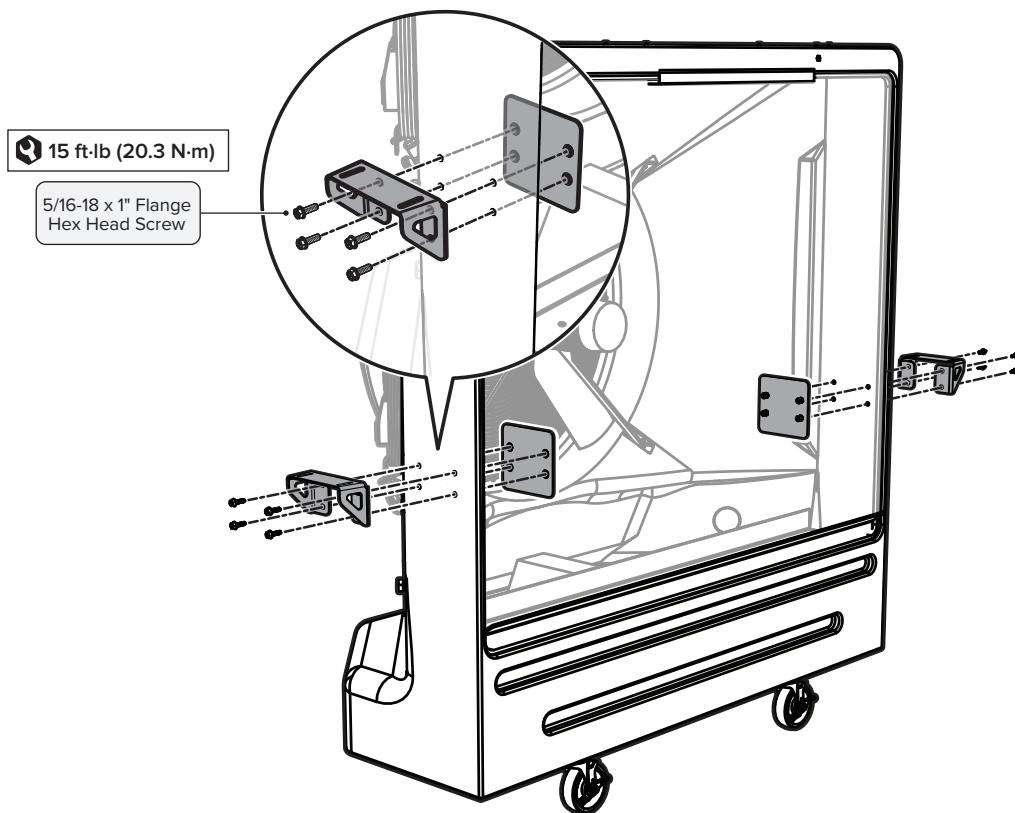
Cooling Media Replacement Instructions

[www.bigassfans.com/docs/evap-coolers/cool-space-media-replacement.pdf](http://www.bigassfans.com/docs/evap-coolers/cool-space-media-replacement.pdf)



## 2. Install handle brackets and plates

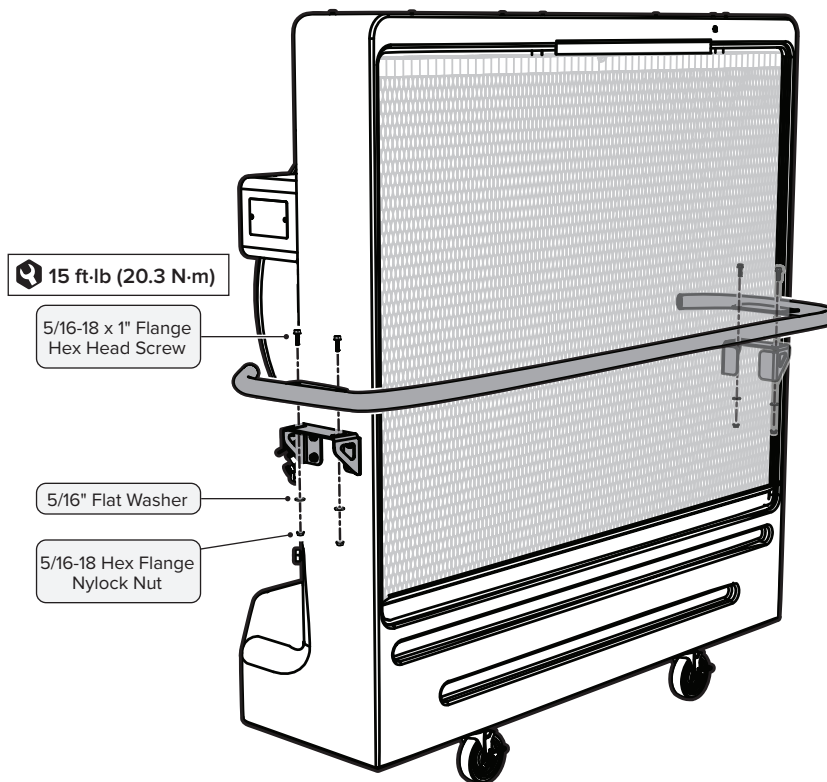
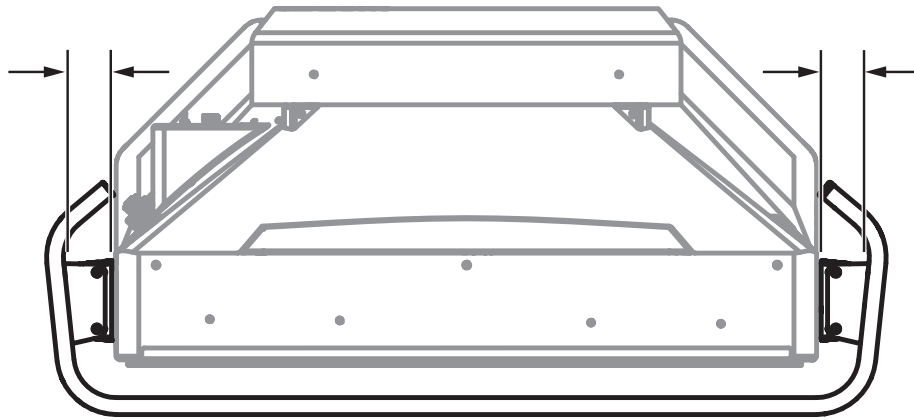
Attach the two handle brackets and support plates to the sides of the cooler.



### 3. Install media and handle

Reinstall the cooling media according to the replacement instructions on the previous page. Attach the handle to the handle brackets. **Before tightening the handle hardware, make sure the space between the cooler and the handle is even on both sides of the cooler.**

Top View



# OPERATION

The cooler must be placed on level ground to operate correctly. Evaporative coolers create an oval-shaped air pattern. Obstacles such as racks and workbenches may interfere with airflow. Position the cooler so that interruption of the air pattern is minimized. Multiple coolers may be required to cover larger areas.

There are three major factors to consider when determining where to place the cooler.

- 1. Fresh Air Supply.** The inlet side of the cooler (pad side) requires a constant, uninterrupted supply of fresh air for maximum performance. A distance of 3 ft (0.9 m) of clear space to any obstructions at the rear or inlet side of the cooler is recommended.
- 2. Discharge Airflow.** The cool air discharged from the cooler should be free from obstruction to promote air circulation in order to maximize the cooling zone.
- 3. Ventilation.** Adequate ventilation is needed ensure the cooler does not recirculate air that has already been through the evaporative cooling process.

## Operating the cooler

### 1. Fill the reservoir

After connecting the cooler to a water source, turn the water supply valve on to fill the cooler with water. The float valve will shut off the water flow when the sump is full.

### 2. Turn on the pump

When starting the cooler for the first time or after installing new cooling media, turn on the pump and flush the cooling media for 5 hours without the fan running and with the flow control valve fully opened. On initial startup, the cooling media will take a few hours to become fully saturated. During this time, the media may produce an odor. This odor will dissipate over time. For best results, change the water in the reservoir a few times.

### 3. Turn on the fan and adjust the water flow

Set the fan switch to the ON position and adjust the speed to your preferred setting. Adjust the water flow with the flow control valve until water streams over the pads. **Do not flood the pads with water.** You should see several 1" to 2" (25 to 51 mm) wide dry streaks on the face of the pads. If dry streaks grow wider, adjust flow to allow more water.

The pump automatically shuts off if the water level is too low. If the pump will not start or stops running, refill the cooler with water. **The pump may take up to five (5) minutes to reset after the cooler is refilled.**



# Operation (Cool-Space® 500)

## Power Indicator

Red light: Power connected

Green light: Power on

## Low Water Indicator

## Remote Sensor

REM

## Fan On/Off

Turns fan on and off in Manual mode.

## Pump On/Off

Turns pump on and off in Manual mode.

## Pad Dry

Puts cooler into shutdown mode.

- When pressed, the pump shuts off and the fan will continue to run for 15 minutes and then shut down.
- Works in Auto and Manual mode.

## Auto/Manual Mode

Switches cooler between Auto and Manual mode.

In Auto mode:

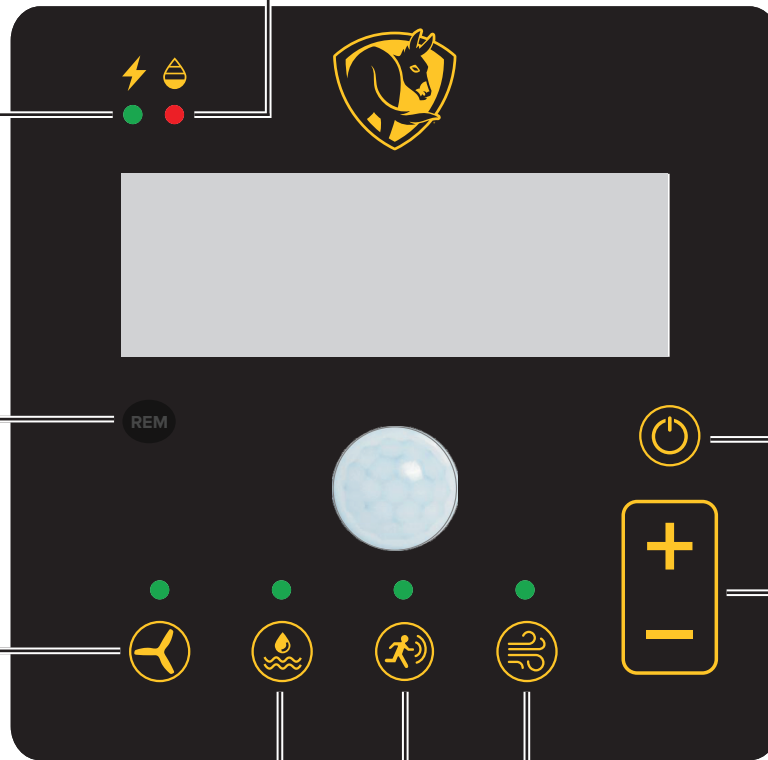
- Indicator light will be on.
- Cooler will run when motion is detected.
- When no motion is detected, cooler will run for 10 minutes and then shut down.

## Power On/Off

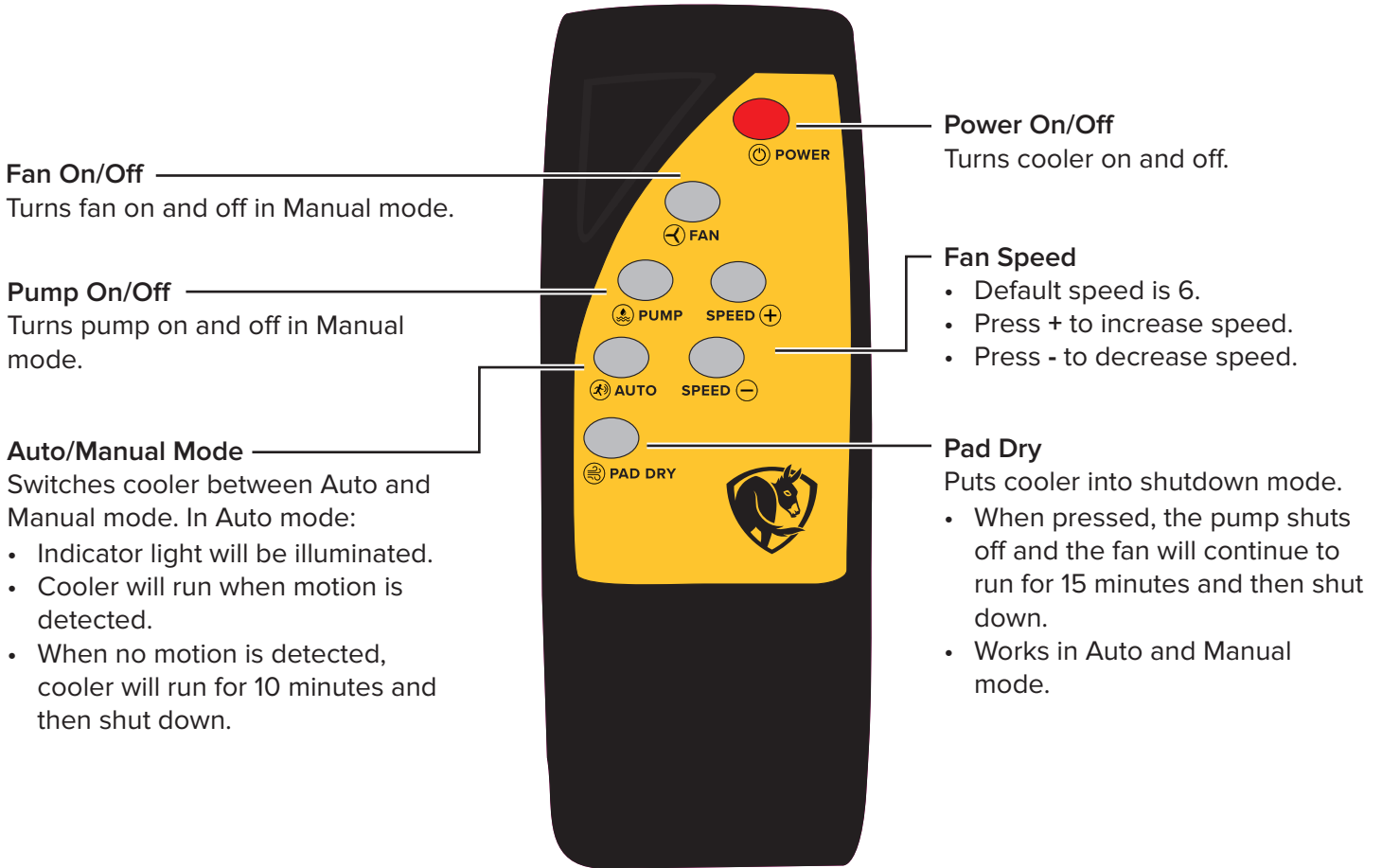
Turns cooler on and off.

## Fan Speed

- Default speed is 6.
- Press + to increase speed.
- Press - to decrease speed.



# Remote control operation (Cool-Space® 500)



# MAINTENANCE AND STORAGE

**⚠ WARNING: ELECTRICAL SHOCK HAZARD.** Disconnect the power supply before performing service or maintenance. Failure to do so may result in serious injury or death.

## Removing the cooling media

Remove the cooling pads to access the inside of the cooler.

1. Remove the bolts connecting the pad retainer bar (pad side) from the housing.
2. **Cool-Space® 400 and 500 models:** Remove top pads.
3. Starting with the center pad(s), tilt pads from the top and lift out of the cooler.

**NOTE:** Reinstall pads correctly according to the markings on the pads.

## Daily maintenance

After each use, turn off the pump about 15 minutes before turning the fan off to allow the pads to drain and dry out. This controls mildew and bacteria growth for a long and efficient pad life. Drain the water from the cooler if it will be unused for a prolonged period of time.

## Periodic maintenance

The cooling pads act as a filter to remove dust and other particles from the incoming air stream. The collected particles and any water impurities will flow into the sump and collect there. To keep the cooler operating at peak efficiency, keep the cooling media and sump clear of debris.

### Draining the water sump

Depending on how often you operate the cooler, drain the sump anywhere from every week for heavy use to monthly for light use.

1. Close water flow valve and open drain valve or remove drain plug located at bottom of reservoir.
2. Run pump until sump is dry, and then immediately shut off pump.
3. Turn cooler off and disconnect power supply.
4. Remove cooling pads.
5. Clean out reservoir with either a towel or wet/dry vacuum.
6. Remove the water spray bar and its plug. Ensure holes are free of debris.
7. Reinstall pads and pad retainer.

### Using water treatment tablets

To avoid scale and mineral buildup, use water treatment tablets periodically. Tablets are provided in the cooler's reservoir according to the table below. Every 3 months, add the specified number of tablets to the reservoir after cleaning. Additional tablets are available by calling 877-244-3267.

Model	Number of tablets
Cool-Space 300	1
Cool-Space 400	2
Cool-Space 500	3

## **Cleaning the cooling media**

Ensure the cooling pads are kept clean and dust-free. Dust and other particles have an adverse effect on the pads' ability to introduce water into the air stream. If the pad surface is dirty, clean with a soft brush and water. Never use bleach.

## **Storage**

1. Remove cooling pads and clean with a soft brush and water to remove dust and debris.
2. Drain sump and wipe dry.
3. Store cooler in a dry area and cover to prevent dust buildup.

# MAINTENANCE CHECKLIST

## Spring cleaning

- ☑ Remove the cooling media and clean out any debris in the water pan at the bottom of the cooler.
- ☑ Remove the distribution tube from the mounting clips. Remove the plug at the end of the tube and flush out. Clean the distribution holes with a small brush and flush with water to verify all holes are clear.
- ☑ If the cooling media is heavily stained with minerals or is damaged, replace the media. Replacement cooling media is available at [bigassfans.com](http://bigassfans.com). Verify the media is installed correctly with the arrows on the side.
- ☑ Connect the water line and turn on the water supply. Check the float valve and make sure it is operating properly. Verify that the float valve is shutting the water off before walking away.
- ☑ Switch on the fan motor and pump. Make sure the cooling media is evenly saturated with water by using the flow control valve to adjust the water flow. Small dry streaks are acceptable.

## Mid-summer checkup

- ☑ Make sure the float valve is working properly. If the valve sticks, the water will run continuously and flood the reservoir. If this occurs, install a new float valve or contact Customer Service.
- ☑ Check all other working parts for cracks or damage, including the pump, fan motor, and fan belt.
- ☑ Check the condition of the cooling media. The cooler runs most efficiently when the media is clean. If the media has a heavy accumulation of mineral deposits, replace it.
- ☑ Use the drain valve to empty the reservoir. Remove any debris.

## Winterize

- ☑ Clean the minerals from the reservoir. Vinegar can be used to dissolve buildup. Flush out the reservoir through the drain plug.
- ☑ Inspect the water distribution tube for clogged holes. Clean as necessary.
- ☑ To prevent freezing in the cooler's water line, disconnect the water supply, and then open both valves on the side of the cooler to dry out the reservoir.
- ☑ Use a storage cover to protect your cooler and keep it clean.

# TROUBLESHOOTING

**⚠ WARNING: ELECTRICAL SHOCK HAZARD.** Disconnect the power supply before performing service or maintenance. Failure to do so may result in serious injury or death.

**⚠ CAUTION:** Use caution when troubleshooting or repairing electrical components. Ensure power is disconnected from the cooler before the pads or fan guard are removed to gain access to the fan.

Contact Customer Service for assistance with troubleshooting and replacement.

## Tools needed

- Screwdrivers
- Pliers
- Adjustable wrenches
- Volt/Ohm meter (electrical troubleshooting)

*Additional tools may be required.*

## Pump troubleshooting

Issue	Solution(s)
Pump motor will not run when switch is turned on.	<p><b>Turn fan on to check for power.</b></p> <ul style="list-style-type: none"> <li>• If fan does not start, check breaker and make sure cord is plugged in.</li> <li>• If fan starts, check for power to and through pump switch (when turned on).</li> </ul> <p><b>Make sure cooler is filled with water. Pump automatically shuts off if water level is too low.</b> Fill water reservoir.</p>
Pump motor hums when switch is turned on but does not pump water.	<p><b>Obstruction in impeller.</b> Remove object(s).</p> <p><b>Pump motor failure.</b> Replace pump.</p>
Breaker trips or fuse blows when switch is turned on.	<p><b>Check power cord length and breaker rating.</b> Refer page 2 for cooler amperage draw and to determine required cord gauge and circuit size.</p> <p><b>Check for locked up pump.</b> Replace pump.</p>
Pump runs but does not pump water.	<p><b>Air lock in outlet side of pump.</b> Turn off and on to bleed.</p> <p><b>Ensure the impeller is turning in pump.</b> If not, replace pump.</p>

# Water distribution system troubleshooting

Issue	Solution(s)
Floor at side of cooler is wet.	<p><b>Water inlet hose is loose at supply hose or inlet hose is loose at bulkhead fitting.</b> Tighten connections and/or replace hose washers.</p>
Water overflows from reservoir or is spitting through fan.	<p><b>Float valve hose is loose at bulkhead fitting or at float valve.</b> Tighten connections and/or replace hose washers.</p> <p><b>Water pressure is too high to allow float valve to shut off (120 PSI/8 bar/827 kPa max).</b> Reduce water pressure by adding an inline reducer.</p> <p><b>Float valve is not properly seated.</b> Check all hoses for leaks.</p>
Water is spitting from the cooler.	<p><b>Check the hose and valve assembly.</b></p> <ul style="list-style-type: none"> <li>• Reduce flow control setting.</li> <li>• Replace cracked hose and valve assembly.</li> <li>• Tighten hose connections.</li> <li>• Adjust spray bar.</li> <li>• Ensure pads are installed correctly.</li> </ul>
Water is leaking from the drain valve.	<p><b>Check for worn washer or stem or open drain valve.</b></p> <ul style="list-style-type: none"> <li>• Replace washer.</li> <li>• Replace drain valve.</li> </ul>
There are too many dry streaks on the pads.	<p><b>Check for blocked holes in the spray bar or adjust water flow.</b></p> <ul style="list-style-type: none"> <li>• Remove spray bar and plug and clean the tube and holes.</li> <li>• Open water flow control valve.</li> </ul>
Scale and mineral buildup on cooling media.	<p><b>Drain and clean the cooler and cooling media.</b> Add water treatment tablets to the reservoir. Refer to the table on page 7 for the number of tablets to add for your cooler model.</p>

# Fan system troubleshooting

Issue	Solution(s)
Fan will not run and makes no sound.	<p><b>Check power cord, extension cord, switches, and circuit breaker.</b></p> <ul style="list-style-type: none"> <li>• Reconnect power or extension cord.</li> <li>• Reset breaker.</li> </ul>
Fan will not run and makes humming sound.	<p><b>Blade is in contact with shroud.</b> Re-center blade hub.</p> <p><b>Motor stall (will not turn by hand).</b> Replace motor.</p>
Breaker trips or fuse blows when fan starts.	<p><b>Motor stall.</b> Replace motor.</p> <p><b>Check power source. Refer to page 2 for electrical requirements.</b> Upgrade power supply.</p> <p><b>Extension cord gauge is too small.</b> Replace with heavier cord.</p>
Motor overheats, shuts off, and restarts several minutes later.	<p><b>Extension cord gauge is too small.</b> Replace with heavier cord.</p> <p><b>Inlet air is obstructed or too close to wall.</b> Provide minimum 3 ft (0.9 m) inlet clearance.</p> <p><b>Faulty motor.</b> Replace motor.</p>
Fan motor will not run and switch makes soft clicking sound.	<p><b>Ensure switch is making good contact.</b> Replace switch if needed.</p>
Fan blade does not turn and cooler makes squealing sound.	<p><b>Motor stall (will not turn by hand).</b> Replace motor.</p>
Fan will not reach speed but turns and makes humming sound.	<p><b>Check capacitor (where visible) and motor electrical connections.</b> Replace capacitor or motor.</p> <p><b>Extension cord gauge is too small.</b> Replace with heavier cord.</p>



## Error codes (Cool-Space® 500 only)

Error	Solution(s)
E1 - Voltage Self-Inspection Error	<ul style="list-style-type: none"> <li>• Try a different circuit.</li> <li>• Replace the panel.</li> </ul>
E2 - Overcurrent Protection	<p><b>Current draw is too high.</b></p> <ul style="list-style-type: none"> <li>• Check extension cord size.</li> <li>• Check that motor spins freely.</li> <li>• Check that airflow is not obstructed.</li> </ul>
E3 - Under Voltage Protection	<p><b>Supply voltage is too low (&lt; 100 V).</b></p> <ul style="list-style-type: none"> <li>• Try a different circuit.</li> <li>• Install a voltage regulator.</li> </ul>
E4 - Over Voltage Protection	<p><b>Supply voltage is too high (&gt; 130 V).</b></p> <ul style="list-style-type: none"> <li>• Try a different circuit.</li> <li>• Install a voltage regulator.</li> </ul>
E5 - Overload Protection	<p><b>Motor is running too hot.</b></p> <ul style="list-style-type: none"> <li>• Check that airflow is not obstructed.</li> <li>• Check extension cord size.</li> </ul>
E6 - Overheat Protection	<ul style="list-style-type: none"> <li>• Check that airflow is not obstructed.</li> <li>• Check for mineral buildup on the motor.</li> <li>• Check extension cord size.</li> </ul>
E7 - Panel with Motor Communication Error	<ul style="list-style-type: none"> <li>• Check for a broken or loose wire.</li> </ul>
E8 - Panel Internal Error	<ul style="list-style-type: none"> <li>• Replace the panel.</li> </ul>
E9 - Motor No Response	<ul style="list-style-type: none"> <li>• Check for a broken or loose wire.</li> <li>• Replace the motor.</li> </ul>
F6 - Panel Communication Error	<ul style="list-style-type: none"> <li>• Check for a broken or loose wire.</li> </ul>

# CONTACT US

**Customer Service**  
2348 Innovation Drive  
Lexington, KY 40511  
USA  
877-244-3267  
bigassfans.com

**Accessories and Replacement Parts**  
[www.bigassfans.com](http://www.bigassfans.com)



[www.bigassfans.com/support](http://www.bigassfans.com/support)

**FRANÇAIS**

# LISEZ ET CONSERVEZ CES INSTRUCTIONS



**AVERTISSEMENT : RISQUE DE DÉCHARGE ÉLECTRIQUE.** Coupez l'alimentation avant d'effectuer tout entretien ou maintenance. Si vous ne prenez pas cette précaution, cela pourrait entraîner une blessure grave, voire mortelle.

**ATTENTION :** Procédez avec prudence lors du dépannage ou de la réparation de composants électriques. Assurez-vous que toute alimentation du refroidisseur est coupée avant que les panneaux ou la grille protectrice du ventilateur soient enlevés pour accéder au ventilateur.

**ATTENTION :** Les réparations doivent être effectuées par un technicien qualifié.

**ATTENTION :** Une utilisation prolongée d'eau dure sans traitement adéquat créera une accumulation de dépôts minéraux. Cela entraînera une défaillance de la pompe qui n'est **PAS COUVERTE PAR LA GARANTIE.**

**DANGER :** Danger pour les humains et les animaux domestiques. Garder les pastilles de traitement de l'eau hors de portée des enfants. Peut causer des lésions sévères des yeux et de la peau. Tenir à l'écart des yeux, de la peau et des vêtements. Nocif en cas d'ingestion.

**DANGER :** Portez un écran facial ou des lunettes de protection et des gants en caoutchouc lors de la manipulation des pastilles de traitement des eaux. En cas de contact, rincez à l'eau et consultez un médecin.

**AVERTISSEMENT :** Pour éviter toute contamination, ne stockez pas les pastilles de traitement de l'eau à proximité d'eau potable, de nourriture ou d'aliments pour animaux. Ne réutilisez pas le récipient vide. Éliminez le contenu/récipient conformément aux réglementations locales, régionales, nationales et internationales.

L'appareil n'est pas destiné à une utilisation par des enfants ou par des personnes ayant des capacités physiques, sensorielles ou mentales réduites, ou un manque d'expérience ou de connaissances, à moins d'obtenir la supervision et les instructions nécessaires.

Il est important d'indiquer aux enfants supervisés de ne pas jouer autour de l'appareil.

Altitude maximale : < 1000 m



Guide d'installation  
Rév. G  
04/06/2022



Instructions originales en anglais

[www.bigassfans.com/support](http://www.bigassfans.com/support)

Une installation, une livraison ou un entretien non conforme, incluant, sans s'y limiter, l'une des actions suivantes par le client ou son agent constitue une violation de toutes les garanties et les rendra nulles :

- Le fait de ne pas suivre les procédures d'installation requises précisées dans ce guide d'installation et dans toute autre documentation fournie avec les ventilateurs et l'équipement connexe incluant la documentation fournie par le fabricant du ventilateur et des composants de commandes individuels;
- Le fait de ne pas suivre tous les codes et règlements applicables incluant, sans toutefois s'y limiter, le National Electrical Code (États-Unis), les codes de l'électricité nationaux ou locaux applicables et les codes du bâtiment de l'État ou locaux;
- Le fait de ne pas suivre les normes industrielles de l'électrotechnique sur la méthode approuvée de l'installation de l'équipement électrique ayant les caractéristiques des ventilateurs, des commandes du ventilateur et leurs composants connexes, même si ces normes ne sont pas mentionnées spécifiquement dans toutes les instructions ou toute la documentation fournie par Big Ass Fans ou par les fabricants.

Toutes les marques de commerce mentionnées ici appartiennent à leurs propriétaires respectifs. Aucune partie de ce document ne peut être reproduite ou traduite dans une autre langue sans l'accord préalable écrite de Big Ass Fans. Les renseignements contenus dans ce document peuvent être modifiés sans préavis. Pour obtenir les informations les plus récentes, veuillez consulter le guide d'installation imprimable au [www.bigassfans.com](http://www.bigassfans.com)

Brevet : [www.bigassfans.com/patents](http://www.bigassfans.com/patents) • [www.bigassfans.com/product-warranties](http://www.bigassfans.com/product-warranties)

# LISTE DE VÉRIFICATION DES OPÉRATIONS

- ☑ Vérifier tous les raccords.
- ☑ Utiliser un cordon de calibre 12 si le cordon est inférieur à 15 m (50 pi) ou un cordon de calibre 10 si le cordon est supérieur à 15 m (50 pi).
- ☑ Fournir de l'air pur au refroidisseur et maintenir un dégagement minimum de 0,9 m (3 pi) derrière le refroidisseur. Ne pas utiliser le refroidisseur dans un espace clos.
- ☑ Veiller à ce que la pression de la source d'eau ne dépasse pas 120 PSI (8 bars/827 kPa).
- ☑ Veiller à ce que le réservoir du refroidisseur soit rempli d'eau avant d'allumer la pompe. La pompe s'arrête automatiquement si le niveau d'eau est trop bas.
- ☑ Vidanger le nouveau tampon de refroidissement.
  1. Remplir le refroidisseur d'eau.
  2. Mettre la pompe en marche.
  3. Laisser fonctionner le refroidisseur sans le ventilateur durant 5 heures.
- ☑ S'assurer que le tampon de refroidissement est saturé uniformément en utilisant une soupape de contrôle pour ajuster le débit d'eau. Ne pas ouvrir complètement la soupape de contrôle. Cela peut noyer le tampon de refroidissement.
- ☑ Assécher le tampon de refroidissement avant d'éteindre le refroidisseur. Éteindre la pompe et laisser fonctionner le ventilateur entre 10 et 15 minutes.
- ☑ Vider et nettoyer le tampon de refroidissement chaque semaine. Retirer le tampon de refroidissement et nettoyer avec un tuyau d'arrosage.
- ☑ Pour éviter l'accumulation de tartre et de minéraux, utilisez régulièrement des pastilles de traitement de l'eau. Les pastilles sont fournies dans le réservoir du refroidisseur selon le tableau ci-dessous. Tous les trois mois, ajoutez le nombre de pastilles indiqué dans le réservoir après l'avoir nettoyé. Des pastilles supplémentaires sont disponibles en appelant au 877 244-3267.

Modèle	Nombre de pastilles
Cool-Space® 300	1
Cool-Space 400	2
Cool-Space 500	3

# ASSEMBLAGE ET PRÉPARATION

- ⚠ **ATTENTION** : Ne pas connecter à une source d'eau ayant une pression supérieure à 120 PSI (8 bars/827 kPa). Le refroidisseur sera endommagé de façon permanente.
- ⚠ **ATTENTION** : Si vous utilisez une rallonge, ne dépassez pas l'ampérage maximal de la rallonge. Des rallonges trop petites provoquent des chutes de tension importantes, entraînant un échauffement excessif du moteur électrique. Cela occasionne un fonctionnement inefficace et une défaillance prématurée du moteur et annulera la garantie.

## Installation des roulettes (Cool-Space® 300 uniquement)

1. Localisez le paquet de quatre (4) roulettes et de seize (16) boulons et retirez-le de la boîte.
2. Posez la boîte sur le côté et ouvrez soigneusement le fond de la boîte. **Ne posez pas la boîte à l'envers.**
3. Installez les quatre roulettes à l'aide des boulons.
4. Posez l'appareil sur les roulettes et retirez la boîte.

Le refroidisseur a été testé en usine et est prêt à être utilisé. Placer le refroidisseur sur un sol plat avec les roulettes verrouillées pour empêcher tout mouvement accidentel.

## Connexion de l'alimentation en eau

Le refroidisseur est équipé d'un raccord de boyau d'arrosage. Utiliser un boyau d'arrosage standard (non fourni) pour raccorder l'alimentation en eau au refroidisseur.

## Connexion de l'alimentation électrique

Branchez le refroidisseur à un circuit à fusibles ou protégé par disjoncteur. Consultez les tableaux ci-dessous pour connaître la taille du circuit et les exigences relatives aux dimensions du circuit. **Les modèles Cool-Space 500 ne peuvent pas être branchés à une prise DDFT.**

### Exigences d'intensité de courant électrique et de circuit

Modèle	Volts +/- 10 %	Fréquence	Taille min. du circuit	Ampères
Cool-Space 300	120 V	60 Hz	15 A	4,1 A
	220/230 V	50/60 Hz	10 A	1,8 A
Cool-Space 400	120 V	60 Hz	15 A	8,0 A
	220/230 V	50/60 Hz	10 A	5,0 A
Cool-Space 500	120 V	60 Hz	25 A	16,5 A
	220/230 V	50/60 Hz	15 A	8,6 A

### Exigences pour les rallonges robustes à trois conducteurs (120 V)

Longueur du cordon	Taille de la rallonge			
	Calibre 16	Calibre 14	Calibre 12	Calibre 10
0–50 pi (0–15 m)	13 A	18 A	25 A	30 A
50–100 pi (15–30 m)	10 A	13 A	18 A	25 A

## Exigences pour les rallonges robustes à trois conducteurs (220/230 V)

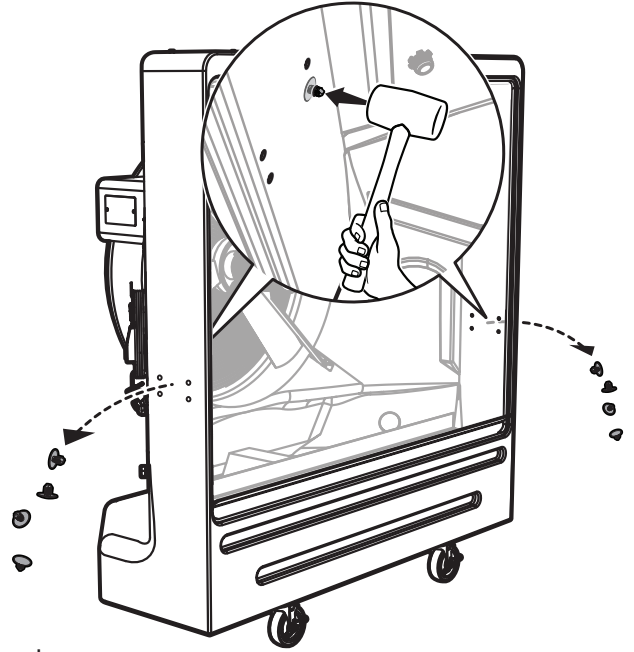
Longueur du cordon	Taille de la rallonge			
	1,5 mm <sup>2</sup>	2,5 mm <sup>2</sup>	4 mm <sup>2</sup>	5 mm <sup>2</sup>
6 m	13 A	15 A	15 A	15 A
16 m	13 A	14 A	15 A	15 A
32 m	10 A	12 A	13 A	15 A

# POIGNÉE (EN OPTION)

L'accessoire de poignée est offert pour le Cool-Space® 400 et le Cool-Space 500.

## 1. Retirez le média et les entrées défonçables

Retirez le tampon de refroidissement conformément aux instructions de remplacement du tampon de refroidissement. Utilisez un maillet en caoutchouc pour retirer les huit entrées défonçables des trous sur les côtés du refroidisseur.



Instructions de remplacement du tampon de refroidissement

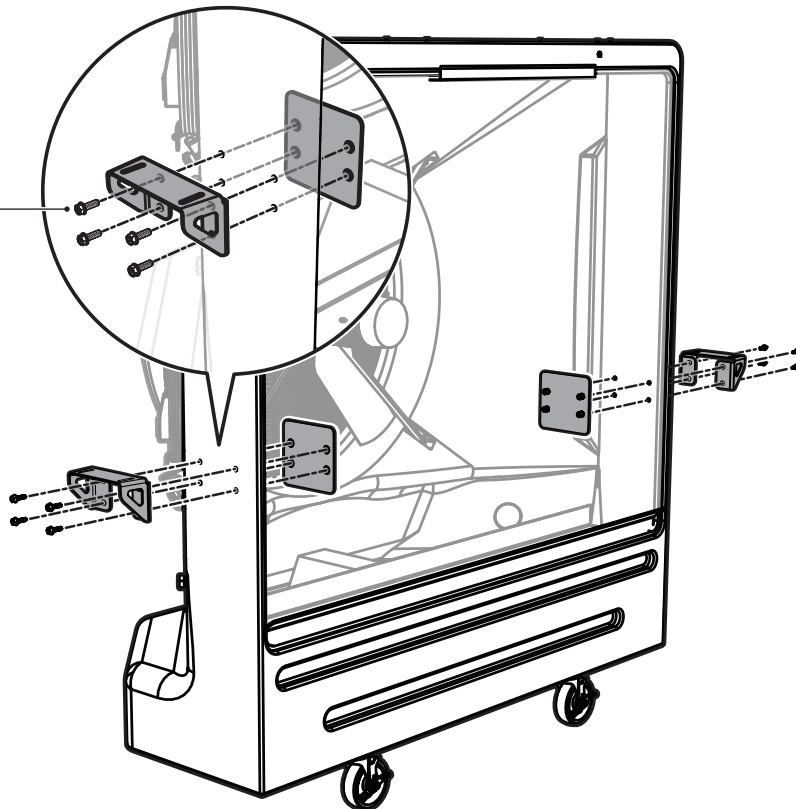
[www.bigassfans.com/docs/evap-coolers/cool-space-media-replacement.pdf](http://www.bigassfans.com/docs/evap-coolers/cool-space-media-replacement.pdf)

## 2. Installez les supports et les plaques de la poignée

Fixez les deux supports de poignée et les plaques de support sur les côtés du refroidisseur.

20,3 N·m (15 pi-lb)

Vis à tête hexagonale à bride de 5/16-18 x 1 po

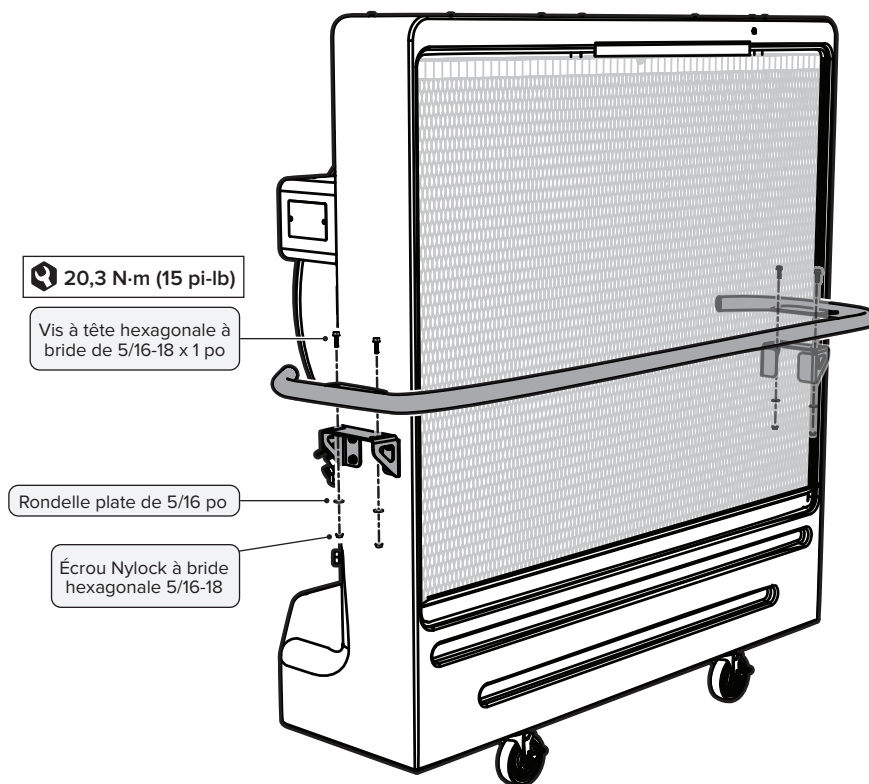
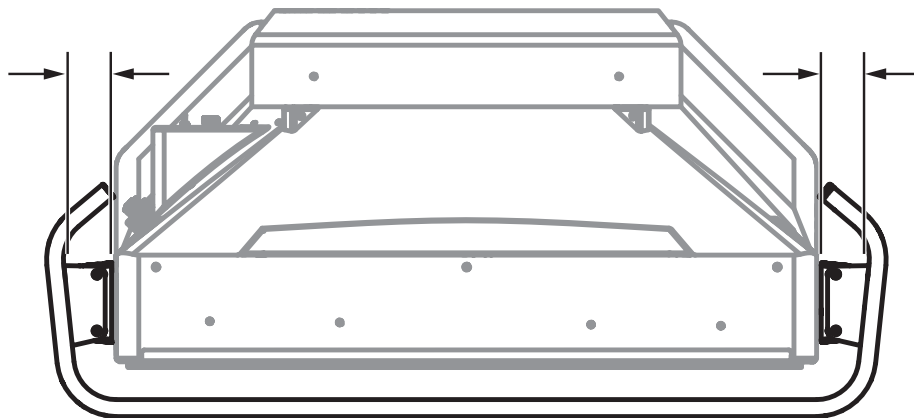




### 3. Installez le support et la poignée

Réinstallez le tampon de refroidissement conformément aux instructions de remplacement de la page précédente. Fixez la poignée aux supports de poignée. **Avant de serrer la quincaillerie de la poignée, assurez-vous que l'espace entre le refroidisseur et la poignée est égal des deux côtés du refroidisseur.**

Vue du dessus



# FONCTIONNEMENT

Le refroidisseur doit être placé sur un sol plat pour fonctionner correctement. Les refroidisseurs évaporatifs créent un déplacement d'air de forme ovale. Des obstacles comme les supports ou les établis peuvent interférer avec le débit d'air. Positionner le refroidisseur de façon à minimiser l'interruption du déplacement d'air. Plusieurs refroidisseurs peuvent être requis pour couvrir de grandes surfaces.

Il y a trois facteurs principaux à considérer au moment de déterminer l'emplacement du refroidisseur.

- 1. Alimentation en air pur.** Le côté entrée (côté panneau) requiert une alimentation constante et sans interruption en air pur pour un performance maximale. Une zone sans obstacles de 3 pi (0,9 m) à l'arrière et du côté de l'entrée du refroidisseur est recommandée.
- 2. Débit d'air de sortie.** L'air frais évacué du refroidisseur ne doit pas être obstrué pour favoriser la circulation d'air afin de maximiser la zone de refroidissement.
- 3. Ventilation.** Une ventilation adéquate est requise pour s'assurer que le refroidisseur ne recycle pas l'air ayant déjà subi le processus de refroidissement par évaporation.

## Utilisation du refroidisseur

### 1. Remplir le réservoir

Après avoir raccordé le refroidisseur à une source d'eau, ouvrez la soupape d'alimentation pour remplir le refroidisseur d'eau. La soupape à flotteur coupe le débit d'eau lorsque le carter est plein.

### 2. Allumer la pompe

Lorsque vous démarrez le refroidisseur pour la première fois ou après avoir installé un nouveau fluide de refroidissement, allumez la pompe et vidangez le fluide de refroidissement sans que le ventilateur fonctionne pendant 5 heures, avec la soupape de contrôle du débit ouverte au maximum. Au démarrage initial, le tampon de refroidissement de votre nouveau refroidisseur prendra quelques heures pour devenir complètement saturé. Durant ce temps, le tampon peut produire une odeur. Cette odeur se dissipera avec le temps. Pour des résultats optimaux, changez l'eau du réservoir à plusieurs reprises.

### 3. Mettre le ventilateur en marche et régler le débit d'eau

Mettez l'interrupteur de ventilateur à la position ON (marche) et ajustez la vitesse à votre réglage favori. Ajustez le débit d'eau avec la soupape de contrôle du débit jusqu'à ce que l'eau s'écoule sur les panneaux. **Ne noyez pas les panneaux d'eau.** Vous devriez voir plusieurs larges bandes sèches de 1 po à 2 po (25 à 51 mm) sur la face des panneaux. Si les bandes deviennent plus larges, ajustez le débit pour obtenir plus d'eau.

La pompe s'arrête automatiquement si le niveau d'eau est trop bas. Si la pompe ne démarre pas ou ne s'arrête pas, remplissez le refroidisseur d'eau. **La pompe pourrait prendre jusqu'à cinq (5) minutes pour se réinitialiser après le remplissage du refroidisseur.**

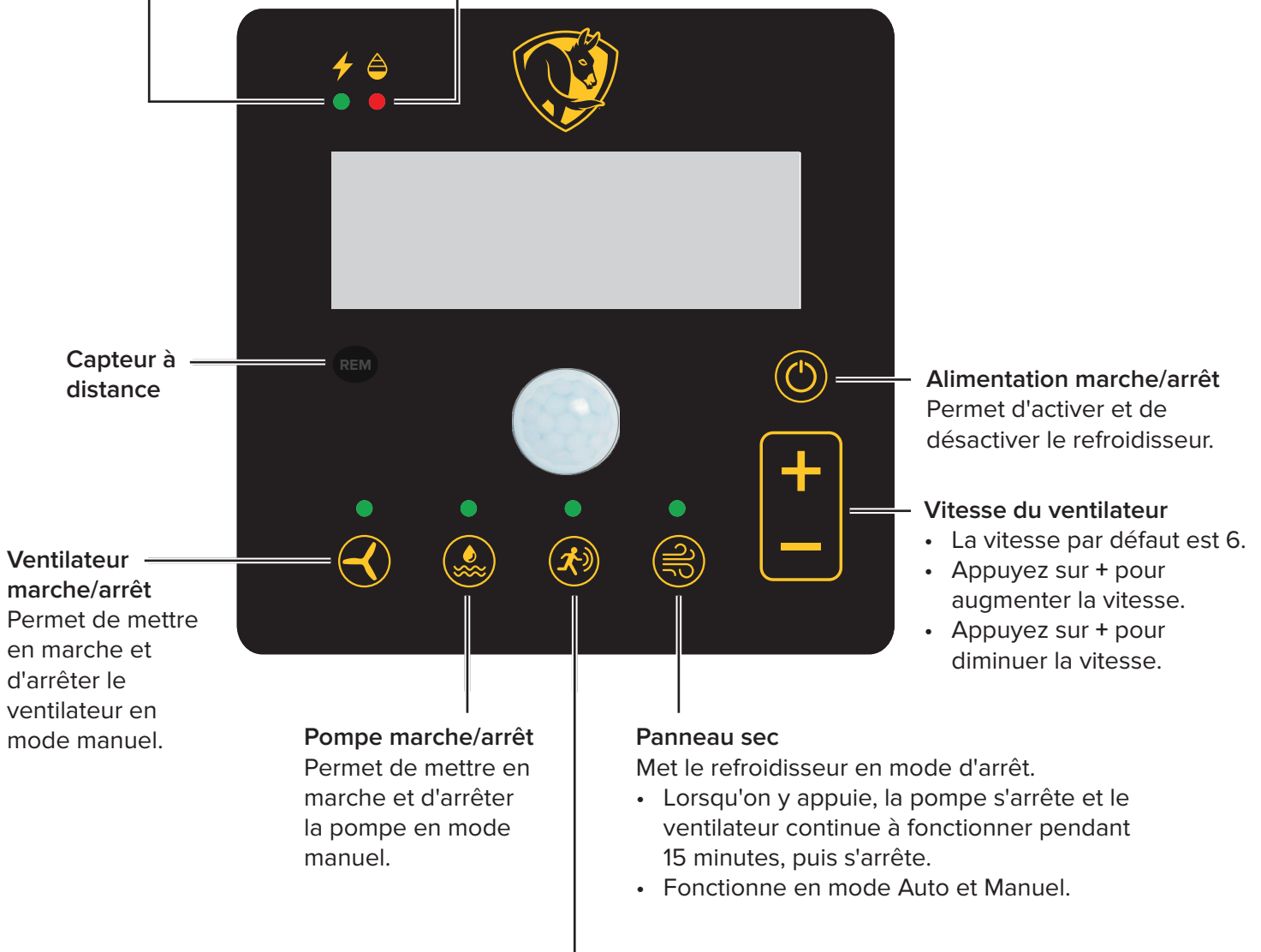
# Fonctionnement (Cool-Space® 500)

## Indicateur d'alimentation

Lumière rouge : alimentation connectée

Lumière verte : alimentation sous tension

## Indicateur de bas niveau d'eau



Capteur à distance

**Ventilateur marche/arrêt**  
Permet de mettre en marche et d'arrêter le ventilateur en mode manuel.

**Pompe marche/arrêt**  
Permet de mettre en marche et d'arrêter la pompe en mode manuel.

## Panneau sec

Met le refroidisseur en mode d'arrêt.

- Lorsqu'on y appuie, la pompe s'arrête et le ventilateur continue à fonctionner pendant 15 minutes, puis s'arrête.
- Fonctionne en mode Auto et Manuel.

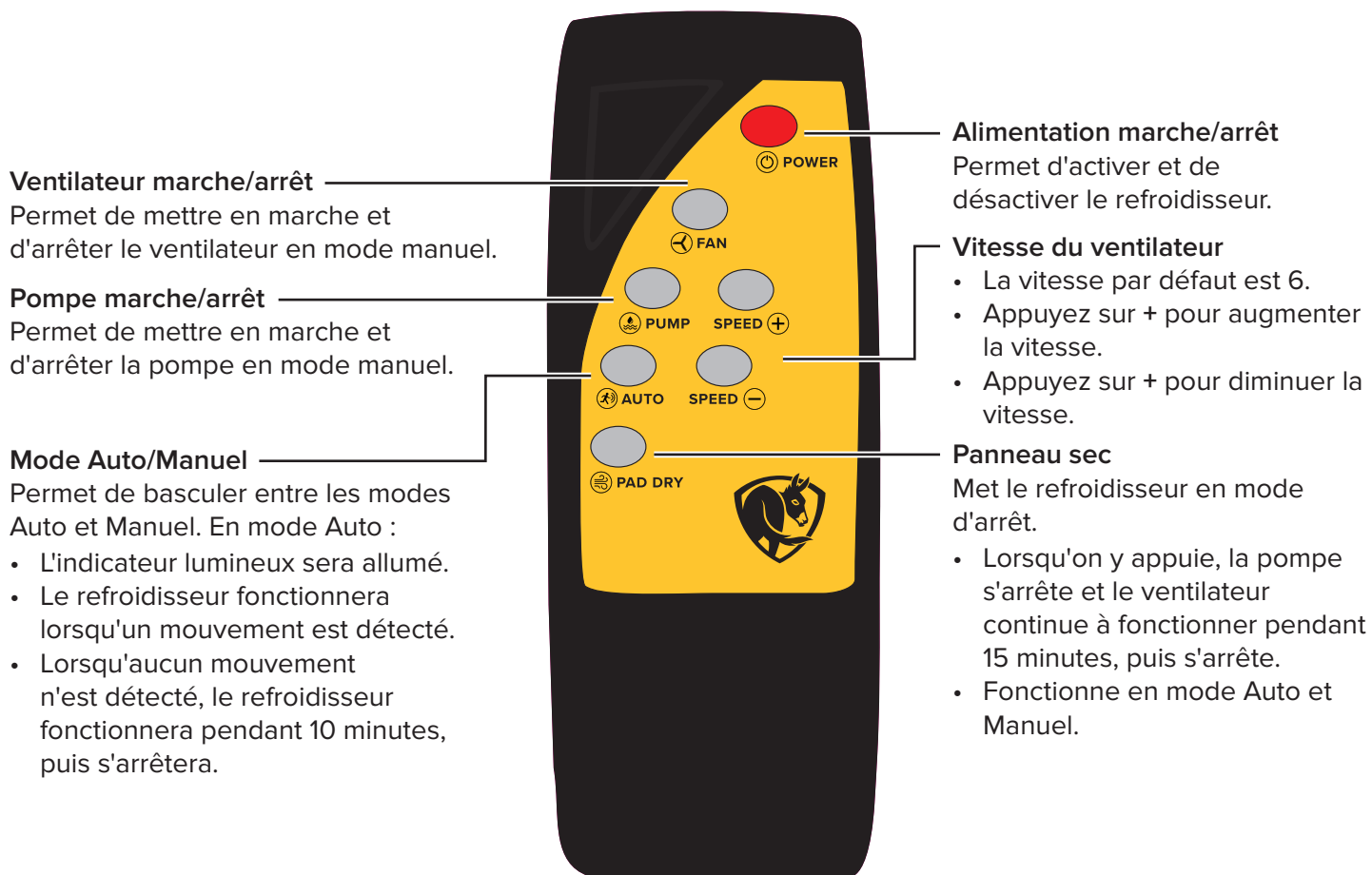
## Mode Auto/Manuel

Permet de basculer entre les modes Auto et Manuel.

En mode Auto :

- L'indicateur lumineux sera allumé.
- Le refroidisseur fonctionnera lorsqu'un mouvement est détecté.
- Lorsqu'aucun mouvement n'est détecté, le refroidisseur fonctionnera pendant 10 minutes, puis s'arrêtera.

# Fonctionnement de la télécommande (Cool-Space® 500)



# ENTRETIEN ET ENTREPOSAGE

**⚠ AVERTISSEMENT : RISQUE DE DÉCHARGE ÉLECTRIQUE** Coupez l'alimentation avant d'effectuer tout entretien ou maintenance. Ne pas prendre cette précaution peut entraîner une blessure grave ou mortelle.

## Retrait du tampon de refroidissement

Enlever les panneaux de refroidissement pour accéder à l'intérieur du refroidisseur.

1. Retirez les boulons raccordant la barre de retenue de panneau (côté panneau) du boîtier.
2. **Modèles Cool-Space® 400 et 500** : Retirer les panneaux supérieurs.
3. En commençant par le(s) panneau(x) centrau(x), inclinez les panneaux de la partie supérieure et soulevez-le(s) du refroidisseur.

**REMARQUE** : réinstallez les panneaux correctement conformément aux marques sur les panneaux.

## Entretien quotidien

Après chaque utilisation, éteignez la pompe environ 15 minutes avant d'éteindre le ventilateur pour permettre aux panneaux de se drainer et de sécher. Cela limite la croissance de moisissures et de bactéries, ce qui permet une durée de vie longue et efficace du panneau. Drainez l'eau du refroidisseur s'il n'est pas utilisé pendant une durée prolongée.

## Entretien régulier

Les panneaux de refroidissement agissent comme des filtres pour enlever la poussière et d'autres particules de l'air entrant. Les particules et les impuretés dans l'eau récoltées s'accumuleront dans le carter. Pour que le refroidisseur fonctionne avec une efficacité maximale, le tampon de refroidissement et du carter ne doit pas avoir de débris.

### Drainage du carter

Dépendamment de la fréquence d'utilisation du refroidisseur, drainer le carter chaque semaine pour les grandes utilisations ou chaque mois pour les faibles utilisations.

1. Fermez la soupape de débit d'eau et ouvrez la soupape de vidange ou retirez le bouchon de vidange se trouvant à la base du réservoir.
2. Faites fonctionner la pompe jusqu'à ce que le carter soit sec et arrêtez immédiatement la pompe.
3. Éteindre le refroidisseur et débrancher l'alimentation.
4. Enlever les panneaux de refroidissement.
5. Nettoyer le réservoir avec une serviette ou un aspirateur à eau/sec.
6. Retirez la barre de vaporisation et son bouchon. Assurez-vous que les trous sont exempts de débris.
7. Réinstallez les panneaux et le dispositif de retenue de panneau.

### Utilisation de pastilles de traitement de l'eau

Pour éviter l'accumulation de tartre et de minéraux, utilisez régulièrement des pastilles de traitement de l'eau. Les pastilles sont fournies dans le réservoir du refroidisseur selon le tableau ci-dessous. Tous les trois mois, ajoutez le nombre de pastilles indiqué dans le réservoir après l'avoir nettoyé. Des pastilles supplémentaires sont disponibles en appelant au 877 244-3267.

Modèle	Nombre de pastilles
Cool-Space 300	1
Cool-Space 400	2
Cool-Space 500	3

## **Nettoyage du tampon de refroidissement**

S'assurer que les panneaux de refroidissement sont toujours propres et sans poussière. La poussière et autres particules nuisent à la capacité des panneaux d'introduire de l'eau dans l'air. Si la surface est sale, nettoyer avec une brosse douce et de l'eau. Ne jamais utiliser de l'eau de javel.

## **Entreposage**

1. Enlever les panneaux de refroidissement et nettoyer avec une brosse douce et de l'eau pour retirer la poussière et les débris.
2. Vider le carter et essuyer.
3. Entreposer le refroidisseur dans un endroit sec et le couvrir pour empêcher l'accumulation de poussière.

# LISTE DE VÉRIFICATION DE L'ENTRETIEN

## Nettoyage du printemps

- ☑ Retirez le tampon de refroidissement et enlevez les débris du réservoir d'eau en bas du refroidisseur.
- ☑ Enlever le tube de distribution des clips de fixation. Enlever le bouchon à l'extrémité du tube et vidanger. Nettoyer les trous de distribution avec une petite brosse et rincer avec de l'eau pour vérifier le dégagement de tous les trous.
- ☑ Si le tampon de refroidissement contient beaucoup de minéraux ou est endommagé, remplacez-le. Le tampon de refroidissement de rechange est offert sur [bigassfans.com](http://bigassfans.com). Assurez-vous que le support est correctement installé avec les flèches sur le côté.
- ☑ Connecter la ligne d'eau et démarrer l'alimentation d'eau. Vérifier la soupape à flotteur et s'assurer qu'elle fonctionne correctement. S'assurer que la soupape à flotteur ferme l'eau avant de vous éloigner.
- ☑ Activer le moteur du ventilateur et la pompe. Assurez-vous que le tampon de refroidissement est saturé d'eau uniformément en utilisant une soupape de contrôle de débit pour ajuster le débit d'eau. De petites bandes sèches sont acceptables.

## Examen de mi-été

- ☑ S'assurer que la soupape à flotteur fonctionne correctement. Si la valve colle, l'eau s'écoulera en continu et inondera le réservoir. Si cela se produit, installer une nouvelle soupape à flotteur ou contacter le service à la clientèle.
- ☑ Vérifier toutes les autres pièces pour des fissures ou des dommages, y compris la pompe, le moteur du ventilateur et la courroie du ventilateur.
- ☑ Vérifiez l'état du tampon de refroidissement. Le refroidisseur fonctionne plus efficacement lorsque le support est propre. Si le support contient une forte accumulation de dépôts minéraux, remplacez-le.
- ☑ Utiliser la soupape de vidange pour vider le réservoir. Enlever tous les débris.

## Se préparer pour l'hiver

- ☑ Nettoyer les minéraux dans le réservoir. Vous pouvez utiliser du vinaigre pour dissoudre l'accumulation. Rincer le réservoir par le bouchon de vidange.
- ☑ Inspecter le tube de distribution d'eau pour des trous bouchés. Nettoyer au besoin.
- ☑ Pour éviter le gel dans la ligne d'eau du refroidisseur, débranchez l'alimentation en eau, puis ouvrir les deux soupapes sur le côté du refroidisseur pour sécher le réservoir.
- ☑ Utiliser un couverture d'entreposage pour protéger votre refroidisseur et le garder propre.

# DÉPANNAGE

**⚠ AVERTISSEMENT : RISQUE DE DÉCHARGE ÉLECTRIQUE** Coupez l'alimentation avant d'effectuer tout entretien ou maintenance. Ne pas prendre cette précaution peut entraîner une blessure grave ou mortelle.

**⚠ ATTENTION : Procédez avec prudence** lors du dépannage ou de la réparation de composants électriques. Assurez-vous que toute alimentation du refroidisseur est coupée avant que les panneaux ou la grille protectrice du ventilateur soient enlevés pour accéder au ventilateur.

Contactez le service à la clientèle pour obtenir de l'aide concernant le dépannage et le remplacement.

## Outils requis

- Tournevis
- Pincés
- Clés à molette
- Voltmètre/Ohmmètre (dépannage électrique)

*Des outils additionnels peuvent être requis.*

## Dépannage de la pompe

Problème	Solution(s)
Le moteur de la pompe ne fonctionne pas lorsque l'interrupteur est activé.	<b>Activer le ventilateur et vérifier l'alimentation.</b> <ul style="list-style-type: none"><li>• Si le ventilateur ne démarre pas, vérifier le disjoncteur et s'assurer que le câble est branché.</li><li>• Si le ventilateur démarre, vérifier l'alimentation vers ou à travers l'interrupteur de la pompe (lorsque activé).</li></ul> <b>Veiller à ce que le réservoir du refroidisseur soit rempli d'eau. La pompe s'éteint automatiquement si le niveau d'eau est trop bas.</b> Remplir le réservoir d'eau.
Le moteur de la pompe ronronne lorsque l'interrupteur est activé, mais ne pompe pas l'eau.	<b>Obstruction dans la pompe.</b> Retirer le ou les objets. <b>Défaillance du moteur de la pompe.</b> Remplacer la pompe.
Le disjoncteur se déclenche ou le fusible saute lorsque l'interrupteur est activé.	<b>Vérifier la longueur du câble d'alimentation et le calibre du fusible.</b> Reportez-vous à la page 2 pour le débit des ampères utilisé par le refroidisseur et pour déterminer le calibre du câble requis et les dimensions du circuit. <b>Vérifier si la pompe est bloquée.</b> Remplacer la pompe.
La pompe fonctionne mais ne pompe pas d'eau.	<b>Poche d'air dans le côté de la sortie de la pompe.</b> Démarrer et éteindre pour purger. <b>S'assurer que la turbine de la pompe tourne.</b> Sinon, remplacer la pompe.



# Dépannage du système de distribution d'eau

Problème	Solution(s)
Le plancher sur le côté du refroidisseur est mouillé.	<p><b>Le boyau d'entrée d'eau est desserré au niveau du boyau d'alimentation ou du raccord étanche.</b> Serrer les connexions et/ou remplacez les rondelles du boyau.</p>
L'eau déborde du réservoir ou est projetée à travers le ventilateur.	<p><b>Le boyau de la soupape à flotteur est desserré au niveau de la soupape ou du raccord étanche.</b> Serrer les connexions et/ou remplacez les rondelles du boyau.</p> <p><b>La pression d'eau est trop élevée pour permettre à la soupape à flotteur (120 PSI/8 bar/827 kPa max.) de se fermer.</b> Réduire la pression d'eau en ajoutant un réducteur.</p> <p><b>La soupape à flotteur n'est pas correctement installée.</b> Vérifier l'étanchéité de tous les boyaux.</p>
Le refroidisseur projette de l'eau.	<p><b>Vérifier l'assemblage du boyau et de la soupape.</b></p> <ul style="list-style-type: none"> <li>• Réduire le débit.</li> <li>• Remplacer l'assemblage fissuré du boyau et de la soupape.</li> <li>• Serrer les raccords.</li> <li>• Ajustez la barre de vaporisation.</li> <li>• Assurez-vous que les panneaux sont correctement installés.</li> </ul>
L'eau s'écoule de la soupape de vidange.	<p><b>Vérifiez s'il existe une rondelle ou une tige usée, ou une soupape de vidange ouverte.</b></p> <ul style="list-style-type: none"> <li>• Remplacez la rondelle.</li> <li>• Remplacez la soupape de vidange.</li> </ul>
Il y a trop de bandes sèches sur les panneaux.	<p><b>Vérifiez si des trous sont bouchés dans la barre de vaporisation ou ajustez le débit d'eau.</b></p> <ul style="list-style-type: none"> <li>• Retirez la barre de vaporisation et bouchez et nettoyez le tube et les trous.</li> <li>• Ouvrir la soupape de contrôle du débit.</li> </ul>
Accumulation de tartre et de minéraux sur le tampon de refroidissement.	<p><b>Vider et nettoyer le tampon et le liquide de refroidissement.</b> Mettre les pastilles de traitement de l'eau dans le réservoir. Reportez-vous au tableau de la page 7 pour connaître le nombre de tablettes à ajouter à votre modèle de refroidisseur.</p>

# Dépannage du système de ventilation

Problème	Solution(s)
Le ventilateur ne fonctionne pas et ne fait pas de bruit.	<p><b>Vérifier le câble d'alimentation, la rallonge, les interrupteurs et le disjoncteur.</b></p> <ul style="list-style-type: none"> <li>• Rebrancher l'alimentation ou la rallonge.</li> <li>• Réinitialiser le disjoncteur.</li> </ul>
Le ventilateur ne fonctionne pas et fait un bourdonnement.	<p><b>La pale est en contact avec le capot.</b> Recentrer le moyeu des pales.</p> <p><b>Le moteur bloque (ne tourne pas manuellement).</b> Remplacer le moteur.</p>
Le disjoncteur se déclenche ou le fusible saute lorsque le ventilateur est activé.	<p><b>Le moteur bloque.</b> Remplacez le moteur.</p> <p><b>Vérifier la soude d'alimentation. Se reporter à la page 2 pour les exigences électriques.</b> Mettre à jour l'alimentation électrique.</p> <p><b>Le calibre de la rallonge est trop petit.</b> Utiliser un rallonge de plus gros calibre.</p>
Le moteur surchauffe, s'éteint et redémarre quelques minutes plus tard.	<p><b>Le calibre de la rallonge est trop petit.</b> Utiliser un rallonge de plus gros calibre.</p> <p><b>L'air entrant est obstrué ou trop près du mur.</b> Laisser un dégagement minimum à l'entrée de 3 pi (0,9 m).</p> <p><b>Moteur défectueux.</b> Remplacer le moteur.</p>
Le moteur ne fonctionne pas et l'interrupteur émet un léger cliquetis.	<p><b>S'assurer que l'interrupteur est bien en contact.</b> Remplacer l'interrupteur au besoin.</p>
Les pales du ventilateur ne tournent pas et le refroidisseur émet un bruit aigü.	<p><b>Le moteur bloque (ne tourne pas manuellement).</b> Remplacer le moteur.</p>
Le ventilateur n'atteint pas sa pleine vitesse et produit un bourdonnement.	<p><b>Vérifier le condensateur (s'il est visible) et les connexions électriques du moteur.</b> Remplacer le condensateur ou le moteur.</p> <p><b>Le calibre de la rallonge est trop petit.</b> Utiliser un rallonge de plus gros calibre.</p>

## Codes d'erreur (Cool-Space® 500 uniquement)

Erreur	Solution(s)
E1 - Erreur d'auto-inspection de la tension	<ul style="list-style-type: none"> <li>• Essayez un circuit distinct.</li> <li>• Remplacer le panneau</li> </ul>
E2 - Protection contre la surtension	<p><b>L'appel de courant est trop élevé.</b></p> <ul style="list-style-type: none"> <li>• Vérifiez la dimension de la rallonge.</li> <li>• Assurez-vous que le moteur tourne librement.</li> <li>• Assurez-vous que le débit d'air n'est pas obstrué.</li> </ul>
E3 - Protection contre la basse tension	<p><b>La tension d'alimentation est trop basse (&lt; 100 V).</b></p> <ul style="list-style-type: none"> <li>• Essayez un circuit distinct.</li> <li>• Installez un régulateur de tension.</li> </ul>
E4 - Protection contre la surtension	<p><b>La tension d'alimentation est trop élevée (&gt; 130 V).</b></p> <ul style="list-style-type: none"> <li>• Essayez un circuit distinct.</li> <li>• Installez un régulateur de tension.</li> </ul>
E5 - Protection contre les surcharges	<p><b>Le moteur est trop chaud.</b></p> <ul style="list-style-type: none"> <li>• Assurez-vous que le débit d'air n'est pas obstrué.</li> <li>• Vérifiez la dimension de la rallonge.</li> </ul>
E6 - Protection contre la surchauffe	<ul style="list-style-type: none"> <li>• Assurez-vous que le débit d'air n'est pas obstrué.</li> <li>• Vérifier la présence d'une accumulation minérale sur le moteur.</li> <li>• Vérifiez la dimension de la rallonge.</li> </ul>
E7 - Panneau avec erreur de communication du moteur	<ul style="list-style-type: none"> <li>• Vérifier la présence d'un fil brisé ou desserré.</li> </ul>
E8 - Erreur interne de panneau	<ul style="list-style-type: none"> <li>• Remplacer le panneau</li> </ul>
E9 - Aucune réponse du moteur	<ul style="list-style-type: none"> <li>• Vérifier la présence d'un fil brisé ou desserré.</li> <li>• Remplacer le moteur.</li> </ul>
F6 - Erreur de communication de panneau	<ul style="list-style-type: none"> <li>• Vérifier la présence d'un fil brisé ou desserré.</li> </ul>

# NOUS JOINDRE

**Service à la clientèle**  
2348 Innovation Drive  
Lexington, KY 40511  
ÉTATS-UNIS  
1 877 244-3267  
bigassfans.com

**Accessoires et pièces de rechange**  
[www.bigassfans.com](http://www.bigassfans.com)



[www.bigassfans.com/support](http://www.bigassfans.com/support)

**ESPAÑOL**

# LEA Y GUARDE ESTAS INSTRUCCIONES



**ADVERTENCIA: PELIGRO DE DESCARGA ELÉCTRICA.** Desconecte la fuente de alimentación antes de realizar cualquier servicio o mantenimiento. De lo contrario, pueden producirse lesiones graves o la muerte.

**PRECAUCIÓN:** tenga cuidado al solucionar problemas o reparar todos los componentes eléctricos. Asegúrese de que la energía esté desconectada del enfriador antes de quitar las almohadillas o la protección del ventilador para obtener acceso al ventilador.

**PRECAUCIÓN:** solo un técnico calificado debe realizar las reparaciones.

**PRECAUCIÓN:** el uso prolongado de agua dura sin un tratamiento adecuado creará una acumulación de depósitos minerales. Esto hará que la bomba falle y **NO ESTÁ CUBIERTA POR LA GARANTÍA.**

**PELIGRO:** es peligroso para humanos y animales domésticos. Mantenga las tabletas de tratamiento de agua fuera del alcance de los niños. Provocan daños graves en los ojos y en la piel. Mantenga alejado de los ojos, la piel y la ropa. Es nocivo si se ingiere.

**PELIGRO:** use protector facial o lentes protectores y guantes de goma al manipular las tabletas de tratamiento de agua. En caso de contacto, enjuague con agua y acuda a su médico.

**ADVERTENCIA:** para evitar la contaminación, no almacene las tabletas de tratamiento de agua cerca de agua potable, alimentos o piensos. No reutilice el contenedor vacío. Deseche el contenido y el contenedor de acuerdo con las normativas locales, regionales, nacionales o internacionales.

El aparato no debe ser utilizado por niños o personas con capacidades físicas, sensoriales o mentales reducidas, o falta de experiencia y conocimiento, a menos que hayan recibido supervisión o instrucción.

Se debe indicar a los niños supervisados que no jueguen con el aparato.

Altitud máxima: <1,000 m



Guía de instalación  
Rev. G  
04/06/2022



Instrucciones originales en inglés

[www.bigassfans.com/support](http://www.bigassfans.com/support)

La instalación, entrega o mantenimiento inadecuados, que incluyen, entre otros, cualquiera de las siguientes acciones por parte del cliente o su representante constituirá una infracción y anulará todas las garantías:

- No seguir los procedimientos de instalación requeridos especificados en esta Guía de instalación y en el resto de la documentación suministrada con los ventiladores y el equipo relacionado, incluida la documentación proporcionada por los fabricantes de los componentes de control y ventilador individuales;
- El incumplimiento de todos los códigos y ordenanzas pertinentes, incluidos, entre otros, el Código Eléctrico Nacional (Estados Unidos), los códigos eléctricos locales y nacionales aplicables, y los códigos de construcción estatales y locales;
- El incumplimiento de los estándares de la industria de ingeniería eléctrica con respecto al método aprobado de instalación de equipos eléctricos de estado sólido que tienen las características de los ventiladores, los controles del ventilador y sus componentes relacionados, incluso si dichos estándares no se mencionan específicamente en las instrucciones o materiales suministrados por Big Ass Fans o los fabricantes.

Todas las marcas comerciales utilizadas en este documento son propiedad de sus respectivos dueños. Ninguna parte de este documento puede reproducirse o traducirse sin el consentimiento previo por escrito de Big Ass Fans. La información contenida en este documento está sujeta a cambios sin previo aviso. Para obtener la información más actualizada, consulte la guía de instalación que está disponible en línea para su impresión en [www.bigassfans.com](http://www.bigassfans.com).

Patente: [www.bigassfans.com/patents](http://www.bigassfans.com/patents) • [www.bigassfans.com/product-warranties](http://www.bigassfans.com/product-warranties)

# LISTA DE VERIFICACIÓN DE FUNCIONAMIENTO

- ☑ Verifique todas las conexiones de la manguera.
- ☑ Use un cable de calibre 12 si mide menos de 15 m (50 ft) o uno de calibre 10 si mide más de 15 m (50 ft).
- ☑ Proporcione una entrada de aire fresco para el enfriador y mantenga un espacio libre mínimo de 0.9 m (3 ft) detrás del enfriador. No opere el enfriador en un espacio cerrado.
- ☑ Asegúrese de que la fuente de agua no supere los 120 PSI (8 bar/827 kPa) de presión del agua.
- ☑ Asegúrese de que el depósito del enfriador esté lleno de agua antes de encender la bomba. La bomba se apaga automáticamente si el nivel de agua es muy bajo.
- ☑ Lave los nuevos medios de refrigeración.
  1. Llena el enfriador con agua.
  2. Encienda la bomba.
  3. Haga funcionar el enfriador sin que el ventilador funcione durante 5 horas.
- ☑ Verifique que los medios de refrigeración estén saturados de manera uniforme utilizando la válvula de control para ajustar el flujo de agua. No abra completamente la válvula de control. Esto puede inundar los medios de refrigeración.
- ☑ Seque los medios de enfriamiento antes de apagar el enfriador. Apague la bomba y deje el ventilador funcionando de 10 a 15 minutos.
- ☑ Drene y limpie el enfriador cada semana. Retire los medios de enfriamiento y enjuague con una manguera de jardín.
- ☑ Para evitar la acumulación de sarro y minerales, utilice periódicamente tabletas de tratamiento de agua. Las tabletas se incluyen en el depósito del enfriador de acuerdo con la siguiente tabla. Cada 3 meses, agregue la cantidad especificada de tabletas al depósito después de la limpieza. Obtenga tabletas adicionales llamando al 877-244-3267.

Modelo	Cantidad de tabletas
Cool-Space® 300	1
Cool-Space 400	2
Cool-Space 500	3

# MONTAJE Y CONFIGURACIÓN

- ⚠ **PRECAUCIÓN:** no lo conecte a una fuente de agua donde la presión del agua exceda 120 PSI (8 bar/827 kPa). Esto causará daños permanentes al enfriador.
- ⚠ **PRECAUCIÓN:** si utiliza un cable de extensión, no exceda los valores de amperaje de la extensión. Las extensiones de menor tamaño crean bajas excesivas de voltaje, lo que hace que el motor eléctrico genere un exceso de calor. Esto da como resultado un funcionamiento ineficiente y una falla prematura del motor, y anulará la garantía.

## Instalación de las ruedas (solo Cool-Space® 300)

1. Localice el paquete que contiene cuatro (4) ruedas y dieciséis (16) pernos, y retírelo de la caja.
2. Coloque la caja de lado y abra con cuidado la parte inferior. **No coloque la caja boca abajo.**
3. Instale las cuatro ruedas utilizando los pernos.
4. Coloque el enfriador sobre las ruedas y quite la caja.

El enfriador ha sido probado en fábrica y está listo para usarse. Coloque el enfriador en un terreno nivelado con las ruedas bloqueadas para evitar movimientos involuntarios.

## Conexión del suministro de agua

El enfriador viene equipado con una conexión de fuente de agua de manguera de jardín. Use una manguera de jardín estándar (no incluida) para conectar el suministro de agua al enfriador.

## Conexión del suministro eléctrico

Conecte el enfriador en un circuito protegido por disyuntores. Consulte las tablas a continuación para conocer los requisitos de tamaño de circuito y cable de extensión. **Los modelos Cool-Space 500 no se pueden conectar a una toma GFCI.**

### Requisitos de amperaje y circuito

Modelo	Voltios +/- 10%	Frecuencia	Tamaño del circuito mín.	Amperios en funcionamiento
Cool-Space 300	120 V	60 Hz	15 A	4.1 A
	220/230 V	50/60 Hz	10 A	1.8 A
Cool-Space 400	120 V	60 Hz	15 A	8.0 A
	220/230 V	50/60 Hz	10 A	5.0 A
Cool-Space 500	120 V	60 Hz	25 A	16.5 A
	220/230 V	50/60 Hz	15 A	8.6 A

### Requisitos del cable de extensión de uso rudo de tres conductores (120 V)

Longitud del cable	Tamaño			
	16 GA	14 GA	12 GA	10 GA
0–15 m (0–50 ft)	13 A	18 A	25 A	30 A
15–30 m (50–100 ft)	10 A	13 A	18 A	25 A



## Requisitos del cable de extensión de uso rudo de tres conductores (220/230 V)

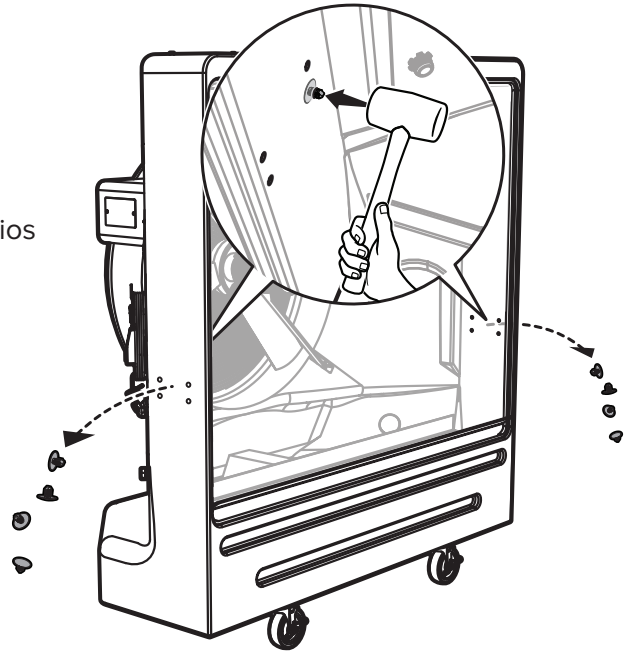
Longitud del cable	Tamaño			
	1.5 mm <sup>2</sup>	2.5 mm <sup>2</sup>	4 mm <sup>2</sup>	5 mm <sup>2</sup>
6 m	13 A	15 A	15 A	15 A
16 m	13 A	14 A	15 A	15 A
32 m	10 A	12 A	13 A	15 A

# MANIJA (OPCIONAL)

La manija está disponible para Cool-Space® 400 y Cool-Space 500.

## 1. Retire los medios y los orificios troquelados

Retire los medios de enfriamiento de acuerdo con las instrucciones de reemplazo correspondientes. Utilice un mazo de goma para quitar los ocho orificios troquelados de los orificios que se encuentran en los laterales del enfriador.



Instrucciones de reemplazo de los medios de enfriamiento

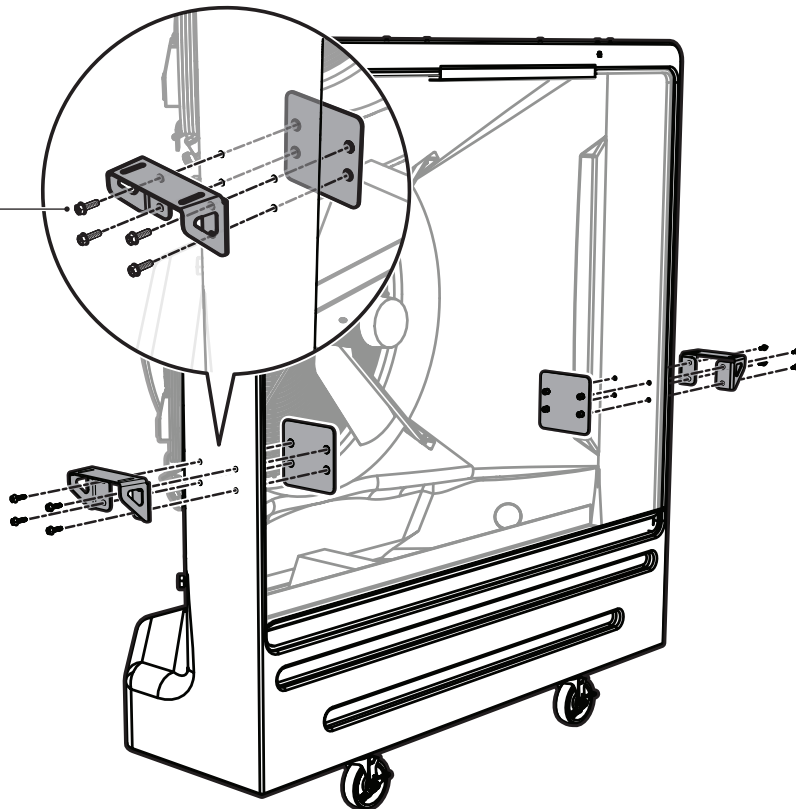
[www.bigassfans.com/docs/evap-coolers/cool-space-media-replacement.pdf](http://www.bigassfans.com/docs/evap-coolers/cool-space-media-replacement.pdf)

## 2. Instale los soportes y las placas para la manija

Conecte los dos soportes para la manija y las placas de soporte a los laterales del enfriador.

15 ft·lb (20.3 N·m)

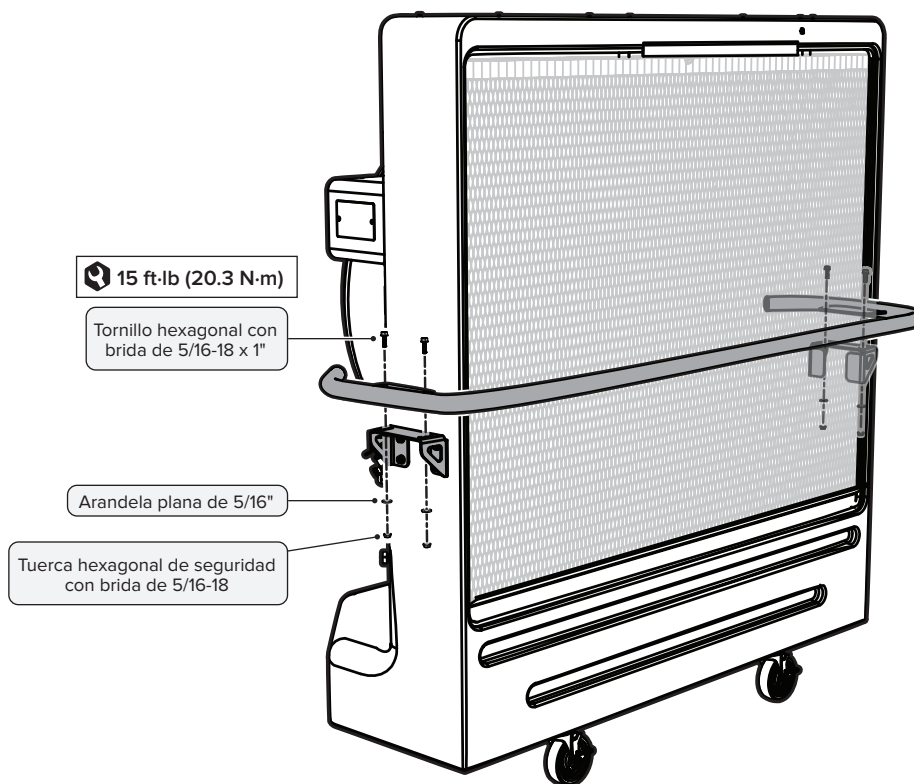
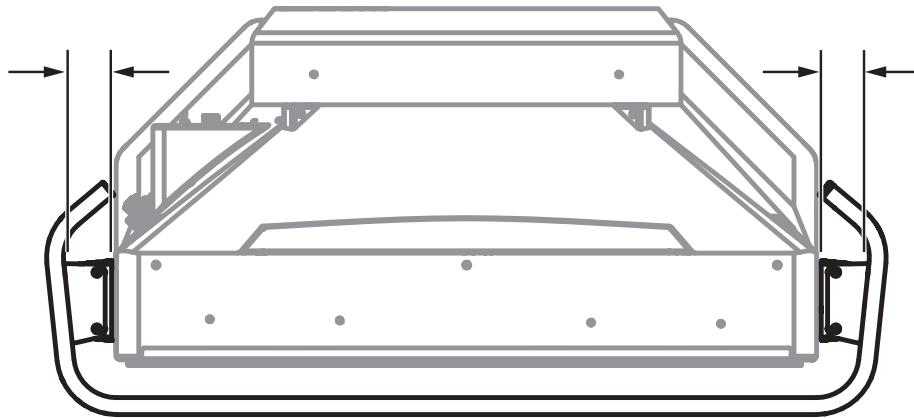
Tornillo hexagonal con brida de 5/16-18 x 1"



### 3. Instale los medios y la manija

Vuelva a instalar los medios de enfriamiento de acuerdo con las instrucciones de reemplazo de la página anterior. Fije la manija a los soportes para la manija. **Antes de ajustar las piezas de la manija, asegúrese de que el espacio entre el enfriador y la manija sea uniforme en ambos laterales del enfriador.**

Vista superior



# OPERACIÓN

El enfriador debe colocarse en un terreno nivelado para que funcione correctamente. Los enfriadores por evaporación crean un patrón de aire de forma ovalada. Los obstáculos, tales como bastidores y bancos de trabajo, pueden interferir con el flujo de aire. Coloque el enfriador de manera que se minimice la interrupción del patrón de aire. Se pueden requerir múltiples enfriadores para cubrir áreas más grandes.

Hay tres factores principales que debe considerar a fin de determinar dónde colocar el enfriador.

- 1. Suministro de aire fresco.** El lado de entrada del enfriador (lado de la almohadilla) requiere un suministro constante e ininterrumpido de aire fresco para obtener el máximo rendimiento. Se recomienda una distancia de 0.9 m (3 ft) de espacio libre para cualquier obstrucción en la parte trasera o lateral de entrada del enfriador.
- 2. Descarga de flujo de aire.** El aire frío descargado desde el enfriador debe estar libre de obstrucciones para promover la circulación de aire y maximizar la zona de enfriamiento.
- 3. Ventilación.** Se necesita ventilación adecuada para garantizar que el enfriador no recircule el aire que ya ha pasado por el proceso de enfriamiento por evaporación.

## Cómo utilizar el enfriador

### 1. Llene el depósito

Después de conectar el enfriador a una fuente de agua, abra la válvula de suministro para llenar el enfriador con agua. La válvula del flotador cerrará el flujo de agua cuando el sumidero esté lleno.

### 2. Encienda la bomba

Cuando encienda el enfriador por primera vez o después de instalar un medio de enfriamiento nuevo, encienda la bomba y lave los medios de refrigeración durante 5 horas sin el ventilador en funcionamiento con la válvula de control de flujo completamente abierta. En el arranque inicial, el medio de enfriamiento tardará algunas horas en saturarse por completo. Durante este tiempo, los medios pueden generar un olor, pero se disipará gradualmente. Para obtener mejores resultados, cambie el agua del depósito varias veces.

### 3. Encienda el ventilador y ajuste el flujo de agua

Coloque el interruptor del ventilador en la posición ON y ajuste la velocidad a su configuración preferida. Ajuste el flujo de agua con la válvula de control de flujo hasta que el agua fluya sobre las almohadillas. **No sumerja las almohadillas en agua.** Debería ver varias rayas secas de 25 a 51 mm (de 1" a 2") de ancho en la cara de las almohadillas. Si las rayas se ensanchan, ajuste el flujo para permitir más agua.

La bomba se apaga automáticamente si el nivel de agua es muy bajo. Si la bomba no arranca o deja de funcionar, vuelva a llenar el enfriador con agua. **La bomba puede tardar hasta cinco (5) minutos en reiniciarse después de que se haya llenado el enfriador .**

# Operación (Cool-Space® 500)

## Indicador de encendido

Luz roja: energía conectada

Luz verde: encendido

## Indicador de poca agua

## Sensor remoto

REM

## Ventilador encendido/apagado

Enciende y apaga el ventilador en modo manual.

## Bomba encendida/apagada

Enciende y apaga la bomba en modo Manual.

## Secado de almohadilla

Pone el enfriador en modo apagado.

- Cuando se presiona, la bomba se apaga y el ventilador continuará funcionando durante 15 minutos y luego se apagará.
- Funciona en modo automático y manual.

## Modo automático/manual

Cambia el enfriador entre el modo automático y manual.

En modo automático:

- La luz indicadora estará encendida.
- El enfriador funcionará cuando se detecte movimiento.
- Cuando no se detecta movimiento, el enfriador funcionará durante 10 minutos y luego se apagará.

## Encendido/Apagado

Enciende y apaga el refrigerador.

## Velocidad del ventilador

- La velocidad predeterminada es 6.
- Presione + para aumentar la velocidad.
- Presione - para disminuir la velocidad.

# Operación a control remoto (Cool-Space® 500)



# MANTENIMIENTO Y ALMACENAMIENTO

**⚠️ ADVERTENCIA: PELIGRO DE DESCARGA ELÉCTRICA.** Desconecte la fuente de alimentación antes de realizar el servicio o mantenimiento. De lo contrario, pueden producirse lesiones graves o la muerte.

## Retirar los medios de enfriamiento

Retire las almohadillas de enfriamiento para acceder al interior del enfriador.

1. Retire los pernos que conectan la barra de retención de la almohadilla (lado de la almohadilla) de la carcasa.
2. **Modelos Cool-Space® 400 y 500:** retire las almohadillas superiores.
3. Comenzando con las almohadillas centrales, incline las almohadillas desde la parte superior y sáquelas del enfriador.

**NOTA:** Vuelva a instalar las almohadillas correctamente de acuerdo con las marcas.

## Mantenimiento diario

Después de cada uso, apague la bomba unos 15 minutos antes de apagar el ventilador para permitir que las almohadillas se drenen y se sequen. Esto controla el crecimiento de hongos y bacterias para una vida útil prolongada y eficiente. Drene el agua del enfriador si no se utilizará durante un periodo prolongado.

## Mantenimiento periódico

Las almohadillas de enfriamiento actúan como un filtro para eliminar el polvo y otras partículas de la corriente de aire entrante. Las partículas recolectadas y las impurezas del agua fluirán hacia el sumidero y se acumularán allí. Para mantener el enfriador funcionando a la máxima eficiencia, mantenga los medios de enfriamiento y el sumidero libres de partículas.

### Drenaje del sumidero de agua

Dependiendo de la frecuencia con la que use el enfriador, drene el sumidero en cualquier lugar; si su uso es intensivo, drene cada semana; si es ligero, hágalo mensualmente.

1. Cierre la válvula de flujo de agua y abra la válvula de drenaje o retire el tapón de drenaje ubicado en la parte inferior del depósito.
2. Haga funcionar la bomba hasta que el sumidero esté seco y luego apague la bomba inmediatamente.
3. Apague el enfriador y desconecte la fuente de alimentación.
4. Retire las almohadillas de enfriamiento.
5. Limpie el depósito con una toalla o con una aspiradora para mojado/seco.
6. Retire la barra de rociado de agua y su tapón. Asegúrese de que los agujeros no tengan residuos.
7. Vuelva a instalar las almohadillas y el retenedor de estas.

### Cómo usar las tabletas de tratamiento de agua

Para evitar la acumulación de sarro y minerales, utilice periódicamente tabletas de tratamiento de agua. Las tabletas se incluyen en el depósito del enfriador de acuerdo con la siguiente tabla. Cada 3 meses, agregue la cantidad especificada de tabletas al depósito después de la limpieza. Obtenga tabletas adicionales llamando al 877-244-3267.

Modelo	Cantidad de tabletas
Cool-Space 300	1
Cool-Space 400	2
Cool-Space 500	3

## **Cómo limpiar los medios de enfriamiento**

Asegúrese de que las almohadillas de enfriamiento se mantengan limpias y sin polvo. El polvo y otras partículas tienen un efecto adverso sobre la capacidad de las almohadillas para introducir agua en la corriente de aire. Si la superficie de la almohadilla está sucia, límpiela con agua y un cepillo suave. Nunca use cloro.

## **Almacenamiento**

1. Retire las almohadillas de enfriamiento y límpielas con un cepillo suave y agua para eliminar el polvo y la suciedad.
2. Drene el sumidero y seque con un paño.
3. Almacene el enfriador en un área seca y cubra para evitar la acumulación de polvo.



# LISTA DE VERIFICACIÓN DE MANTENIMIENTO

## Limpieza profunda

- ☑ Retire los medios de enfriamiento y limpie cualquier residuo en la bandeja de agua de la parte inferior del enfriador.
- ☑ Retire el tubo de distribución de los sujetadores de montaje. Retire el tapón al final del tubo y enjuague. Limpie los orificios de distribución con un cepillo pequeño y enjuague con agua para verificar que todos los orificios estén limpios.
- ☑ Si los medios de enfriamiento están muy manchados con minerales o están dañados, reemplace. Los medios de enfriamiento de repuesto están disponibles en [bigassfans.com](http://bigassfans.com). Verifique que estén instalados correctamente con las flechas al costado.
- ☑ Conecte la línea de agua y encienda el suministro de agua. Verifique la válvula de flotador y asegúrese de que esté funcionando correctamente. Verifique que la válvula de flotador esté cerrando el agua antes de alejarse.
- ☑ Encienda el motor del ventilador y la bomba. Asegúrese de que los medios de refrigeración se estén saturando de manera uniforme utilizando la válvula de control para ajustar el flujo de agua. Solo se aceptan pequeñas rayas secas.

## Revisión a mediados de verano

- ☑ Asegúrese de que la válvula de flotador funcione correctamente. Si la válvula se pega, el agua correrá continuamente e inundará el depósito. Si esto ocurre, instale una nueva válvula de flotador o comuníquese con el servicio al cliente.
- ☑ Revise todas las otras piezas de trabajo en busca de grietas o daños, como la bomba, el motor del ventilador y la correa del ventilador.
- ☑ Verifique el estado de los medios de enfriamiento. El enfriador funciona de manera más eficiente cuando están limpios. Si tienen mucha acumulación de depósitos minerales, reemplácelos.
- ☑ Use la válvula de drenaje para vaciar el depósito. Eliminar cualquier residuo.

## Preparar para el invierno

- ☑ Limpie los minerales del depósito. Puede usar vinagre para disolver la acumulación. Enjuague el depósito a través del tapón de drenaje.
- ☑ Inspeccione el tubo de distribución de agua en busca de agujeros obstruidos. Limpie según sea necesario.
- ☑ Para evitar el congelamiento en la línea de agua del enfriador, desconecte el suministro de agua y luego abra ambas válvulas en el costado del enfriador para secar el depósito.
- ☑ Use una cubierta de almacenamiento para proteger su enfriador y mantenerlo limpio.

# RESOLUCIÓN DE PROBLEMAS

- ⚠️ ADVERTENCIA: PELIGRO DE DESCARGA ELÉCTRICA.** Desconecte la fuente de alimentación antes de realizar el servicio o mantenimiento. De lo contrario, pueden producirse lesiones graves o la muerte.
- ⚠️ PRECAUCIÓN:** tenga cuidado al solucionar problemas o reparar todos los componentes eléctricos. Asegúrese de que la energía esté desconectada del enfriador antes de quitar las almohadillas o la protección del ventilador para obtener acceso al ventilador.

Póngase en contacto con el Servicio al cliente para obtener ayuda con la solución de problemas y los reemplazos.

## Herramientas necesarias

- Destornilladores
- Alicates
- Llaves ajustables
- Medidor de voltios/ohmios (solución de problemas eléctricos)

*Se pueden requerir herramientas adicionales.*

## Solución de problemas de la bomba

Problema	Solución(es)
El motor de la bomba no funcionará cuando se encienda el interruptor.	<b>Encienda el ventilador para verificar si hay energía.</b> <ul style="list-style-type: none"><li>• Si el ventilador no arranca, revise el disyuntor y asegúrese de que el cable esté enchufado.</li><li>• Si el ventilador arranca, verifique la alimentación hacia y a través del interruptor de la bomba (cuando está encendido).</li></ul> <b>Asegúrese de que el enfriador esté lleno de agua. La bomba se apaga automáticamente si el nivel de agua es muy bajo.</b> Llene el depósito de agua.
El motor de la bomba hace un zumbido cuando se enciende el interruptor, pero no bombea agua.	<b>Obstrucción en el impulsor.</b> Elimine el(los) objeto(s). <b>Falla del motor de la bomba.</b> Reemplace la bomba.
El disyuntor se activa o el fusible se funde cuando se enciende el interruptor.	<b>Verifique la longitud del cable de alimentación y la clasificación del disyuntor.</b> Consulte la página 2 para conocer el consumo de amperaje del enfriador y determinar el calibre del cable y el tamaño del circuito requeridos. <b>Verifique si la bomba está bloqueada.</b> Reemplace la bomba.
La bomba funciona, pero no bombea agua.	<b>Bloqueo de aire en el lado de salida de la bomba.</b> Apague y encienda para descargar. <b>Asegúrese de que el impulsor esté girando en la bomba.</b> Si no, reemplace la bomba.

# Solución de problemas del sistema de distribución de agua.

Problema	Solución(es)
El piso al costado del enfriador está mojado.	<p>La manguera de entrada de agua está suelta en la manguera de suministro o en la conexión de mamparo.</p> <p>Apriete las conexiones y/o reemplace las arandelas de la manguera.</p>
El agua se desborda del depósito o se sale a través del ventilador.	<p>La manguera de la válvula de flotador está suelta en la conexión de mamparo o en la válvula de flotador.</p> <p>Apriete las conexiones y/o reemplace las arandelas de la manguera.</p> <p>La presión del agua es demasiado alta para permitir que la válvula de flotador se cierre (120 PSI/8 bar/827 kPa max).</p> <p>Reduzca la presión del agua agregando un reductor en línea.</p> <p>La válvula de flotador no está asentada correctamente.</p> <p>Revise todas las mangueras en busca de fugas.</p>
El agua está brotando del enfriador.	<p><b>Verifique el conjunto de la manguera y la válvula.</b></p> <ul style="list-style-type: none"> <li>• Reduzca la configuración de control de flujo.</li> <li>• Reemplace la manguera agrietada y el conjunto de la válvula.</li> <li>• Apriete las conexiones de la manguera.</li> <li>• Ajuste la barra de rociado.</li> <li>• Asegúrese de que las almohadillas estén instaladas correctamente.</li> </ul>
El agua se está fugando de la válvula de drenaje.	<p><b>Verifique si la arandela o el vástago está desgastado o si la válvula de drenaje está abierta.</b></p> <ul style="list-style-type: none"> <li>• Reemplace la arandela.</li> <li>• Reemplace la válvula de drenaje.</li> </ul>
Hay demasiadas rayas secas en las almohadillas.	<p><b>Verifique que no haya agujeros bloqueados en la barra de rociado o ajuste el flujo de agua.</b></p> <ul style="list-style-type: none"> <li>• Retire la barra y el tapón, y limpie el tubo y los agujeros.</li> <li>• Abra la válvula de control de flujo de agua.</li> </ul>
Acumulación de sarro y minerales en los medios de enfriamiento.	<p><b>Seque y limpie el refrigerador y los medios de enfriamiento.</b></p> <p>Agregue tabletas de tratamiento de agua al depósito. Consulte la tabla de la página 7 para conocer la cantidad de tabletas que debe agregar para su modelo de enfriador.</p>

# Solución de problemas del sistema de ventiladores

Problema	Solución(es)
El ventilador no funciona y no emite ningún sonido.	<p>Verifique el cable de alimentación, el cable de extensión, los interruptores y el disyuntor.</p> <ul style="list-style-type: none"> <li>• Vuelva a conectar el cable de alimentación o de extensión.</li> <li>• Vuelva a colocar el disyuntor.</li> </ul>
El ventilador no funciona y emite un zumbido.	<p><b>El aspa está en contacto con la cubierta.</b> Vuelva a centrar el cubo del aspa.</p> <p><b>Detenimiento del motor (no girará manualmente).</b> Reemplace el motor.</p>
El disyuntor se activa o el fusible se funde cuando el ventilador arranca.	<p><b>Detenimiento de motor.</b> Reemplace el motor.</p> <p><b>Verifique la fuente de energía. Consulte la página 2 para conocer los requisitos eléctricos.</b> Actualización de la fuente de alimentación.</p> <p><b>El calibrador del cable de extensión es demasiado pequeño.</b> Reemplace con un cable más pesado.</p>
El motor se sobrecalienta, se apaga y se reinicia varios minutos después.	<p><b>El calibrador del cable de extensión es demasiado pequeño.</b> Reemplace con un cable más pesado.</p> <p><b>El aire de entrada está obstruido o demasiado cerca de la pared.</b> Proporcione un espacio libre de entrada mínimo de 0.9 m (3 ft).</p> <p><b>Motor defectuoso.</b> Reemplace el motor.</p>
El motor del ventilador no funciona y el interruptor emite un chasquido suave.	<p><b>Asegúrese de que el interruptor esté haciendo buen contacto.</b> Reemplace el interruptor si es necesario.</p>
El aspa del ventilador no gira y el enfriador emite un chirrido.	<p><b>Detenimiento del motor (no girará manualmente).</b> Reemplace el motor.</p>
El ventilador no alcanzará la velocidad, pero gira y hace un zumbido.	<p><b>Verifique el condensador (donde sea visible) y las conexiones eléctricas del motor.</b> Reemplace el condensador o motor.</p> <p><b>El calibrador del cable de extensión es demasiado pequeño.</b> Reemplace con un cable más pesado.</p>

## Códigos de error (solo Cool-Space® 500)

Error	Solución(es)
E1: Error de autoinspección de voltaje	<ul style="list-style-type: none"> <li>• Pruebe un circuito diferente.</li> <li>• Reemplace el panel.</li> </ul>
E2: Protección contra sobrecorriente	<p><b>El consumo de corriente es demasiado alto.</b></p> <ul style="list-style-type: none"> <li>• Verifique el tamaño del cable de extensión.</li> <li>• Verifique que el motor gire libremente.</li> <li>• Verifique que el flujo de aire no esté obstruido.</li> </ul>
E3: Protección contra baja tensión	<p><b>La tensión de alimentación es demasiado baja (&lt;100 V).</b></p> <ul style="list-style-type: none"> <li>• Pruebe un circuito diferente.</li> <li>• Instale un regulador de voltaje.</li> </ul>
E4: Protección contra sobretensión	<p><b>La tensión de alimentación es demasiado alta (&gt; 130 V).</b></p> <ul style="list-style-type: none"> <li>• Pruebe un circuito diferente.</li> <li>• Instale un regulador de voltaje.</li> </ul>
E5: Protección contra sobrecarga	<p><b>El motor se está calentando demasiado.</b></p> <ul style="list-style-type: none"> <li>• Verifique que el flujo de aire no esté obstruido.</li> <li>• Verifique el tamaño del cable de extensión.</li> </ul>
E6: Protección contra sobrecalentamiento	<ul style="list-style-type: none"> <li>• Verifique que el flujo de aire no esté obstruido.</li> <li>• Verifique si hay acumulación de minerales en el motor.</li> <li>• Verifique el tamaño del cable de extensión.</li> </ul>
E7: Error de comunicación entre el panel y el motor	<ul style="list-style-type: none"> <li>• Verifique si hay algún cable roto o suelto.</li> </ul>
E8: Error interno del panel	<ul style="list-style-type: none"> <li>• Reemplace el panel.</li> </ul>
E9: Motor sin respuesta	<ul style="list-style-type: none"> <li>• Verifique si hay algún cable roto o suelto.</li> <li>• Reemplace el motor.</li> </ul>
F6: Error de comunicación del panel	<ul style="list-style-type: none"> <li>• Verifique si hay algún cable roto o suelto.</li> </ul>

# CONTÁCTENOS

**Servicio al cliente**  
2348 Innovation Drive  
Lexington, KY 40511  
Estados Unidos  
877-244-3267  
bigassfans.com

**Accesorios y repuestos**  
[www.bigassfans.com](http://www.bigassfans.com)



[www.bigassfans.com/support](http://www.bigassfans.com/support)





EVA-INST-318-ENG-01

Rev. G

04/06/2022



2348 Innovation Drive, Lexington, KY 40511  
**1 (877) BIG-FANS | WWW.BIGASSFANS.COM**

