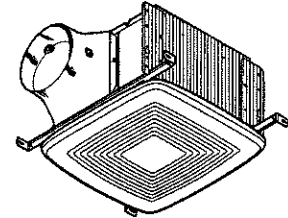


# MODEL QTXE110150DC QT DC SERIES FAN



### DESCRIPTION

#### BLOWER:

- Plug-in, permanently lubricated, brushless DC motor - engineered for continuous operation
- Dynamically balanced centrifugal blower wheel for quiet, efficient performance
- Low RPM for quiet operation
- Airflow-smoothing baffles reduce turbulence
- Selectable setting of 110, 130 or 150 CFM

#### HOUSING:

- Rugged, galvanized steel construction
- Metal, 6" round damper/duct connector with no metallic clatter
- 7-5/8" height allows for 2" x 8" ceiling installations
- Sturdy, easy, four-point mounting directly to joist
- Includes unique, patented spacer for mounting to engineered "I" joists
- Includes hanger bars to position housing anywhere between 16" to 24"-on-center joists
- Can be mounted in sloped ceilings (duct connector must point up)

#### GRILLE:

- Polymeric construction
- Innovative design - the result of extensive research with designers and consumers

U.L. Listed for use over bathtubs and showers when connected to a GFCI protected branch circuit (ceiling mount only).

3-Year Warranty

### TYPICAL SPECIFICATION

Fan shall be Broan Model QTXE110150DC.

Fan shall have corrosion resistant galvanized steel housing with four-point mounting capability. It shall be ducted to a roof or wall cap using 6" round ductwork.

Blower assembly shall be removable, have a centrifugal-type blower wheel and a permanently lubricated, brushless DC motor designed for continuous operation.

Metal, 6" round damper/duct connector shall be included.

Air delivery shall be no less than the CFM values and sound shall be no greater than the same values listed in the HVI Performance Ratings provided in this specification (see following chart). All air and sound ratings shall be certified by HVI.

Fan shall be ENERGY STAR® qualified and have an energy efficient brushless DC motor.

Fan shall be U.L. Listed for use over bathtubs and showers when connected to a GFCI protected branch circuit (ceiling mount only).



Broan Hartford, Wisconsin www.broan.com 800-558-1711  
Venmar Ventilation ULC Drummondville (Quebec), Canada www.broan.ca 877-896-1119

REFERENCE	QTY.	REMARKS	Project
			Location
			Architect
			Engineer
			Contractor
			Submitted by Date

# PERFORMANCE RATINGS

## MODEL QTXE110150DC QT DC SERIES FAN

### HVI PERFORMANCE

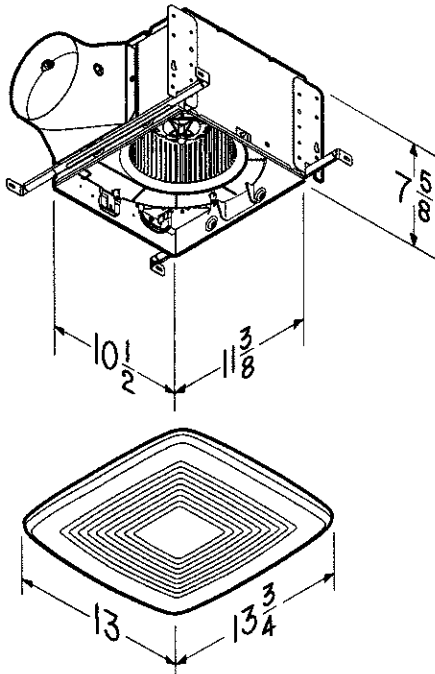
Speed Setting	Static Pressure (in. H <sub>2</sub> O)	Airflow (CFM)	Sound (Sones)	Power (Watts)	Efficacy (CFM/W)
110	0.1	110	< 0.3	8.3	13.8
	0.25	91	0.9	12.0	7.9
130	0.1	130	0.4	10.3	12.8
	0.25	130	1.2	17.7	7.4
150	0.1	150	0.7	13.9	11.0
	0.25	144	1.4	21.1	6.9



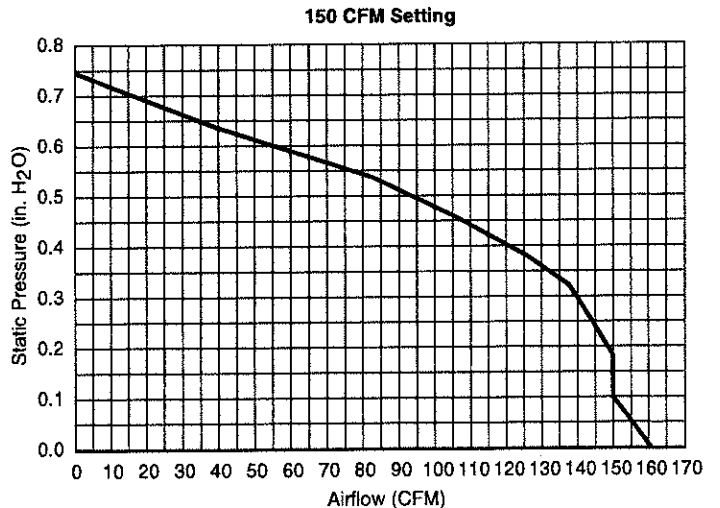
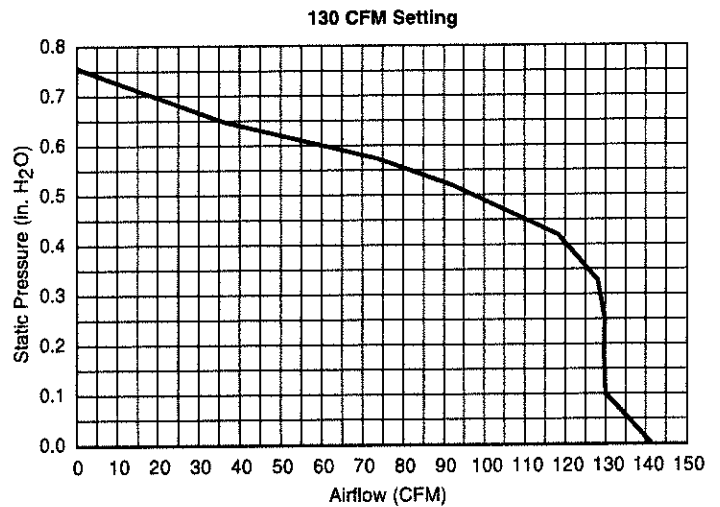
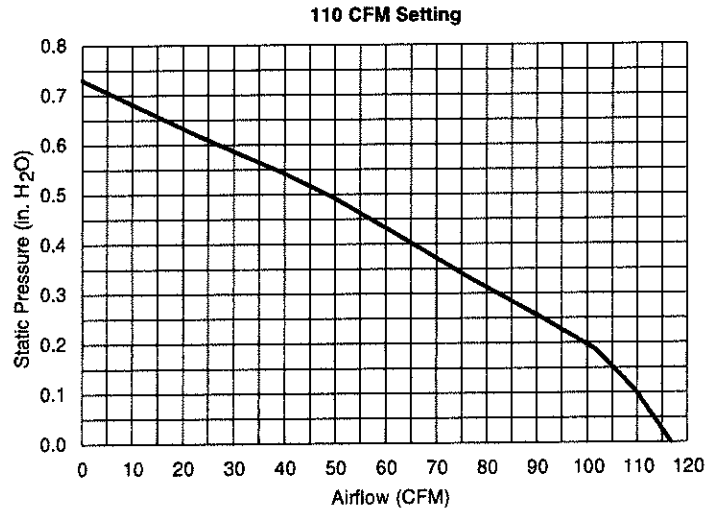
HVI-2100 CERTIFIED RATINGS comply with new testing technologies and procedures prescribed by the Home Ventilating Institute, for off-the-shelf products, as they are available to consumers. Product performance is rated at 0.1 in. static pressure, based on tests conducted in a state-of-the-art test laboratory. Sones are a measure of humanly-perceived loudness, based on laboratory measurements.

### ELECTRICAL & WEIGHT

Volts	Hz	Amps	Shipping Weight
120	60	0.4	12.1 lbs.



### AIR FLOW PERFORMANCE



Broan Hartford, Wisconsin [www.broan.com](http://www.broan.com) 800-558-1711  
 Venmar Ventilation ULC Drummondville (Quebec), Canada [www.broan.ca](http://www.broan.ca) 877-896-1119