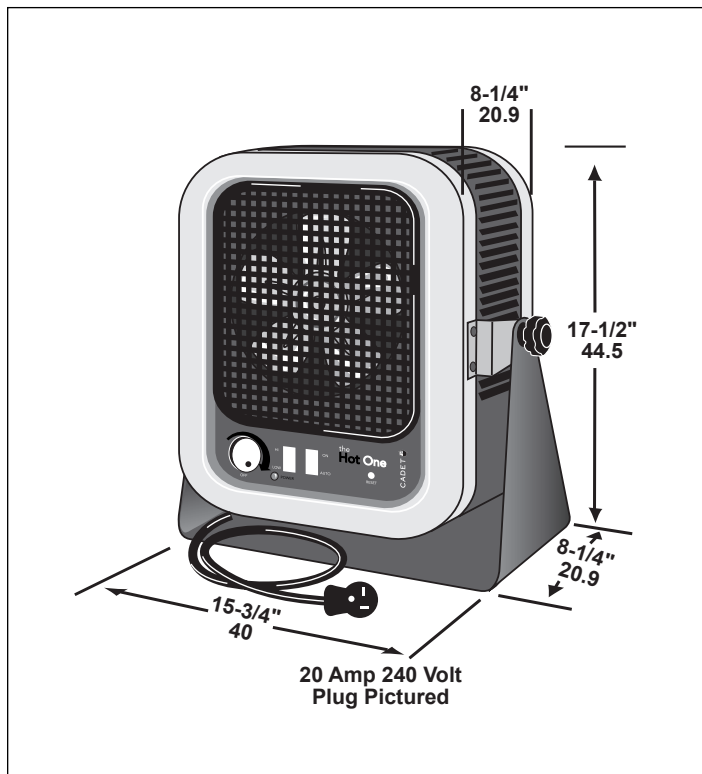


RCP Garage Heater Owner's Guide

<http://www.cadetheat.com/products/garage-heaters/RCP>

Benefits You Can Depend On

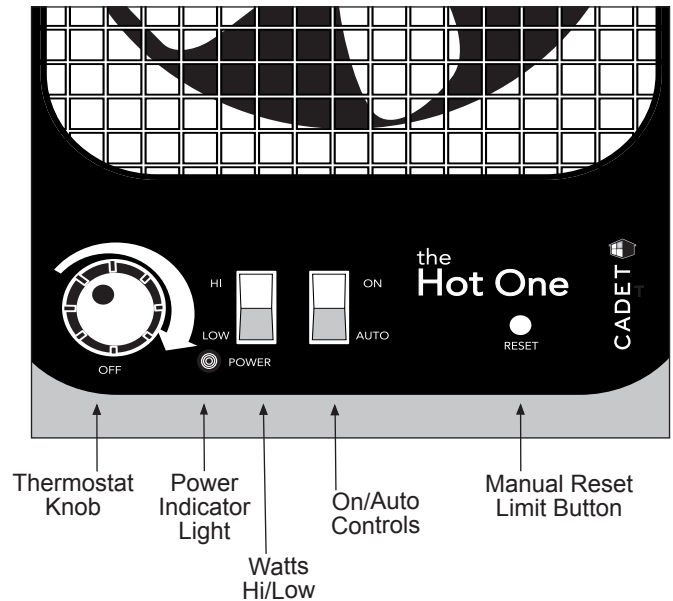
- Peace of mind with high temperature safety shut off feature
- High/low switch provides two options for heat output
- Use the fan by itself for air-only circulation
- Ultra-portable with six-foot cord and polarized plug (proper receptacle required)
- Includes bracket for wall mount or floor stand use
- Your Cadet heater has been thoroughly tested and is guaranteed with a **5 year limited warranty**



RCP Specification Table				
Volts	Model with thermostat	Watts high/low	Amps high/low	Plug Type
240	RCP502S	5000/3333	20.8/13.9	30 Amp
	RCP402S	4000/2667	16.7/11.1	20 Amp

Recommended for elevations under 7500 feet.

RCP Heater Controls:



SAVE THESE INSTRUCTIONS

IMPORTANT INSTRUCTIONS

When using electrical appliances, basic precautions should always be followed to reduce the risk of fire, electric shock, and injury to persons, including the following:

1. Read all instructions before using this heater.
 2. This heater is hot when in use. To avoid burns, do not let bare skin touch hot surfaces. If provided, use handles when moving this heater. Keep combustible materials, such as furniture, pillows, bedding, papers, clothes and curtains at least 3 feet (.9 m) from the front of the heater and keep them away from the sides and rear.
 3. Extreme caution is necessary when any heater is used by or near children or invalids and whenever the heater is left operating and unattended.
 4. Always unplug heater when not in use.
 5. Do not operate any heater with a damaged cord or plug, or after the heater malfunctions, has been dropped or damaged in any manner. Return heater to authorized service facility for examination, electrical or mechanical adjustment or repair.
 6. Do not use outdoors.
 7. This heater is not intended for use in bathrooms, laundry areas and similar indoor locations. Never locate heater where it may fall into a bathtub or other water container.
 8. Do not run cord under carpeting. Do not cover cord with throw rugs, runners, or similar coverings. Arrange cord away from traffic area and where it will not be tripped over.
 9. To disconnect heater, turn controls to off, then remove plug from receptacle.
 10. Connect to properly grounded receptacles only.
 11. Do not insert or allow foreign objects to enter any ventilation or exhaust opening as this may cause an electric shock or fire, or damage the heater.
 12. To prevent a possible fire, do not block air intakes or exhaust in any manner. Do not use on soft surfaces, like a bed, where openings may become blocked.
 13. A heater has hot and arcing or sparking parts inside. Do not use it in areas where gasoline, paint, or flammable vapors or liquids are used or stored.
 14. Use this heater only as described in this manual. Any other use not recommended by the manufacturer may cause fire, electrical shock, or injury to persons.
 15. Always plug heater directly into a wall receptacle. Never use with an extension cord or relocatable power tap (receptacle/power strip).
 16. CAUTION: Do not operate without stand attached.
- Save these instructions.

SAVE THESE INSTRUCTIONS

www.cadetheat.com Tel: 360-693-2505 PO Box 1675 Vancouver, WA 98668-1675

INSTALLATION INSTRUCTIONS

1. **WARNING:** Risk of fire. Do not use as a residential or household heater.
2. Do not use outdoors.
3. This heater is not intended for use in bathrooms, laundry areas, and similar indoor locations.
4. **CAUTION:** Do not operate without stand attached.
5. Heater must be kept clear of all obstructions: 3 foot minimum clearance from front, 6 inch minimum clearance from back and top, and 12 inch minimum clearance from sides. See Figure 3.
6. Always plug the heater directly into a 240 volt wall receptacle. Never use an extension cord.

The Hot One may sit on a floor surface or be mounted to the wall using the universal stand provided. If mounted on the wall, maintain 6 inch minimum clearance from the top of the unit to the ceiling. The Hot One is not recommended for ceiling mount. Recommended for elevations under 7500 feet.

STEP 1 Heater Inspection and Assembly

Thoroughly inspect your heater for any shipping or handling damage and remove any paper or packaging material found around the heater.

STEP 2 Grounding Plug and Receptacle Requirements

This heater is for use on 240 volts. The cord has a 20 amp or 30 amp plug as shown in Figure 1. No adapter is available for these blade configurations, and none should be used. The RCP requires a 240 volt grounded receptacle. When properly installed, it provides a ground connection through the cord to the heater to protect the operator from electric shock. Do not use an extension cord, power strip or any kind of adapter.

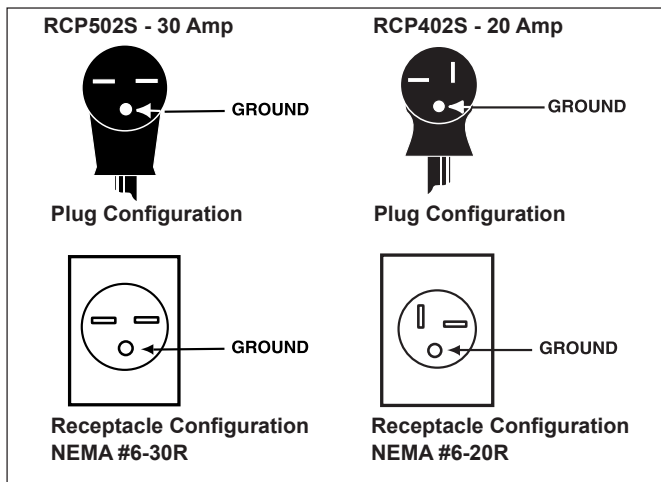


Figure 1

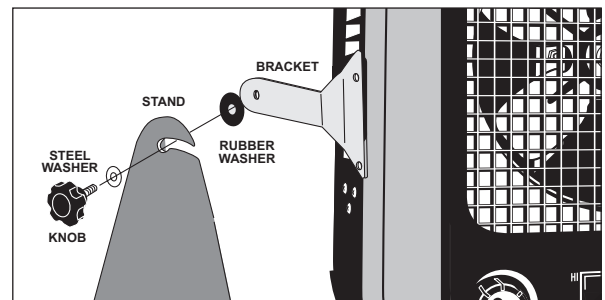


Figure 2

STEP 3 Assembly

The universal stand is assembled as follows:

Floor Stand Assembly

1. Place steel washer, then rubber washer on each knob shaft provided.
2. Screw each knob into the bracket found on both sides of the heater, but do not tighten.
3. With heater sitting on a firm surface, slide the stand onto each knob shaft between the steel and rubber washers (See Figure 2).
4. Tighten knobs.

Note: The heater must be operated with the stand attached to the heater.

Wall Mount Assembly

1. Place steel washer, then rubber washer on each knob shaft provided.
2. Screw each knob into the bracket found on both sides of the heater, but do not tighten.
3. Mount stand to wall. The wall and mounting hardware must be of adequate strength to support the heater. Note: A 240-volt receptacle must be within six feet of the heater.
4. Slide the stand onto each knob shaft between the steel and rubber washers (Figure 2).
5. Tighten knobs.

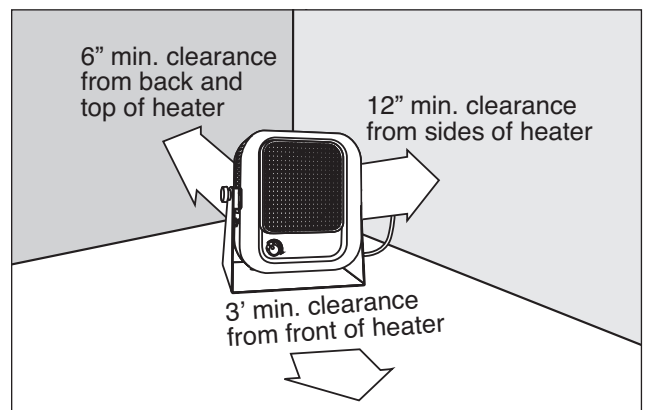


Figure 3

OPERATING INSTRUCTIONS

1. The heater must be properly installed before it is used. Be sure the plug fits tightly into the receptacle. The red light indicates the unit is plugged in.
2. Do not operate without the stand attached.
3. Do not use breaker panel or wall thermostat to control heater.
4. Always unplug heater when not in use.
5. Clean heater at least every six months or as required. See "Maintaining Your Heater".
6. CAUTION: Risk of electrical shock. Do not open. No user-serviceable parts inside. Any other service not detailed in this owner's guide should be performed by an authorized service representative.

How to Operate Your Heater

1. Select the "LOW" wattage setting. If your desired temperature is not reached, select the "HI" setting.

NOTE: The temperature of the air coming from the front of the heater will be approximately 40°F warmer than the room temperature, in the "HI" setting. With extremely cold environments, air from the heater may not feel hot. As the heater continues to operate, the heater air and surrounding air temperature will continue to increase.

2. Select 'AUTO' to operate the heater with the thermostat.
3. Turn the thermostat fully clockwise. The heater will start.

NOTE: The fan will operate approximately 20 seconds after startup. This allows the elements to heat before blowing air, eliminating cold startups. Fan operation will continue for approximately 90 seconds after elements shut off to disperse residual heat.

4. When the room reaches your comfort level, turn the thermostat knob counter clockwise until you hear a click sound. The heater will automatically cycle around this preset temperature.
5. To reduce the room temperature, turn the knob counter clockwise. To increase the room temperature, turn the knob clockwise.

"ON" SETTING

The fan can be operated continuously when set to the "ON" position. For cooling or air circulation (when no heat is desired), turn the thermostat to the 'OFF' position by rotating the thermostat knob counter clockwise.

NOTE: If the thermostat is turned to a setting above room temperature, the elements will turn on and heat the area until the temperature reaches that set point. Once the elements go off, the fan will continue to run. This cycle will continue.

Resetting the Manual Reset Limit Control

About the Manual Reset Temperature Limit Control

The heater is protected by a high temperature manual reset control, designed to open the heater circuit when excessive operating temperatures are detected.

Resetting the Manual Reset Temperature Limit Control

If the manual reset limit control has opened the heater circuit due to excessive operating temperatures, the heater will not work or may blow cold air until the limit reset button is pressed. After allowing the unit to cool for at least 10 minutes and resolving the problem causing the limit to trip (typically the heater is blocked or needs cleaning); use a narrow object such as a ball-point pen to access the reset button through the lower-right hole marked "RESET". Press FIRMLY. If the manual reset continues to trip, see Troubleshooting Chart.



Manual Reset Limit Button

Warranty

For more effective and safer operation and to prolong the life of the heater, read the Owner's Guide and follow the maintenance instructions. Failure to properly maintain the heater will void any warranty and may cause the heater to function improperly. Warranties are non transferable and apply to original consumer only. Warranty terms are set out below.

LIMITED FIVE-YEAR WARRANTY: Cadet will repair or replace any Hot One (RCP) heater found to be defective within five years after the date of purchase.

These warranties do not apply:

1. Damage occurs to the product through improper installation or incorrect supply voltage;
2. Damage occurs to the product through improper maintenance, misuse, abuse, accident, or alteration;
3. The product is serviced by anyone other than Cadet;
4. If the date of manufacture of the product cannot be determined;
5. If the product is damaged during shipping through no fault of Cadet.
6. CADET'S WARRANTY IS LIMITED TO REPAIR OR REPLACEMENT AS SET OUT HEREIN. CADET SHALL NOT BE LIABLE FOR DAMAGES SUCH AS PROPERTY DAMAGE OR FOR CONSEQUENTIAL DAMAGES AND/OR INCIDENTAL EXPENSES RESULTING FROM BREACH OF THESE WRITTEN WARRANTIES OR ANY EXPRESS OR IMPLIED WARRANTY.

7. IN THE EVENT CADET ELECTS TO REPLACE ANY PART OF YOUR CADET PRODUCT, THE REPLACEMENT PARTS ARE SUBJECT TO THE SAME WARRANTIES AS THE PRODUCT. THE INSTALLATION OF REPLACEMENT PARTS DOES NOT MODIFY OR EXTEND THE UNDERLYING WARRANTIES. REPLACEMENT OR REPAIR OF ANY CADET PRODUCT OR PART DOES NOT CREATE ANY NEW WARRANTIES.

8. These warranties give you specific legal rights, and you may also have other rights which vary from state to state. Cadet neither assumes, nor authorizes anyone to assume for it, any other obligation or liability in connection with its products other than as set out herein.

If you believe your Cadet product is defective, please contact Cadet Manufacturing Co. at 360-693-2505, during the warranty period, for instructions on how to have the repair or replacement processed. Warranty claims made after the warranty period has expired will be denied. Products returned without authorization will be refused.

Parts and Service

Visit cadetheat.com/parts-service for information on where to obtain parts and service.



Reduce-Reuse-Recycle

This product is made primarily of recyclable materials. You can reduce your carbon footprint by recycling this product at the end of its useful life. Contact your local recycling support center for further recycling instructions.

MAINTAINING YOUR HEATER

Maintenance As Needed, or every six months minimum.

⚠ WARNING: Any other service not detailed in this Owner's Guide should be performed by an authorized service representative.

1. Allow the heater to cool, then disconnect the power cord from power supply. To disconnect heater, turn control to "OFF", then remove plug from receptacle.
2. Remove front diffuser grill by removing the four screws (one from each corner).
3. Wash grill with hot soapy water and dry immediately, or use air compressor to blow debris from grill louvers.
4. While holding fan (to avoid damage or bending), use an air compressor, hair dryer or vacuum on blow cycle to blow debris through the outer cabinet louvers and finned elements.
5. Vacuum or blow air inside fan area without touching the elements.
6. Carefully wipe off the fan blade without damaging or bending it.
7. Replace diffuser grill and secure with screws.

Troubleshooting Chart

***CONSULT LOCAL ELECTRICAL CODES TO DETERMINE WHAT WORK MUST BE PERFORMED BY QUALIFIED ELECTRICAL SERVICE PERSONNEL.**

Symptom	Problem	Solution
The plug does not fit receptacle.	1. Heater is 240 volt requiring a 20 amp or 30 amp 240 volt receptacle (see Figure 1 in "User Instructions").	1. DO NOT alter cord. Install the proper 240 volt receptacle (see Figure 1 in "User Instructions") or return the heater in its original condition.*
Heater does not operate.	1. Heater is or has been blocked. 2. Thermostat set too low. 3. Circuit breaker not turned on. 4. Loose plug connection. 5. Defective manual reset limit.	1. Remove obstruction. Push manual reset button found in front lower panel. 2. Turn knob clockwise until a click sound is heard. 3. Turn circuit breaker on. 4. Check plug connection. 5. Replace manual reset limit.*
Elements heat, fan does not operate.	1. Defective fan delay relay. 2. Jammed fan blade. 3. Defective motor.	1. Replace the fan delay relay.* 2. Remove obstruction. 3. Replace fan motor.*
Heater fan operates, but does not discharge warm air.	1. Manual reset limit tripped. 2. Fan switch is "ON" and thermostat setting is below actual temperature. 3. Defective heater elements. 4. Wire loose from elements. 5. Temperature rise on heater is 40°F.	1. Allow heater to cool, then push reset. 2. Increase the thermostat setting; turn fan switch to "AUTO". 3. Replace elements.* 4. Check and correct loose wire. 5. Close doors or windows. Provide additional insulation and/or heaters. Wait for room to warm up.
Heater does not shut off.	1. Heat loss from area is greater than heater capacity. 2. Defective thermostat. 3. Fan switch in "ON" position. 4. Fan dispersing warm air after shutdown.	1. Close doors or windows. Provide additional insulation and/or heaters. 2. Replace thermostat.* 3. Change fan switch to "AUTO" setting. 4. Fan will shut off in approximately 90 seconds.
Heater discharges smoke.	1. Dust, dirt, and lint accumulated inside the heater. 2. Jammed fan blade.	1. Clean heater. (See "Maintaining Your Heater" section for instructions). Blow dirt accumulation off heater with compressed air (air compressor recommended). 2. Remove obstruction.
Manual reset limit trips repeatedly.	1. Overheating. 2. Overheating at shutdown. 3. Overheating from excessive dust or dirt particles. 4. Overheating due to elevation of location.	1. Check all clearance requirements. 6" minimum clearance required between top of heater and ceiling. Heater is not recommended for ceiling mount. 2. Discontinue use of breaker to control heater, or replace time delay switch.* 3. Clean heater (See "Maintaining Your Heater" section for instructions). 4. Location elevation exceeds recommended 7500 feet.

MAINTAINING YOUR HEATER (continued)

Parts List

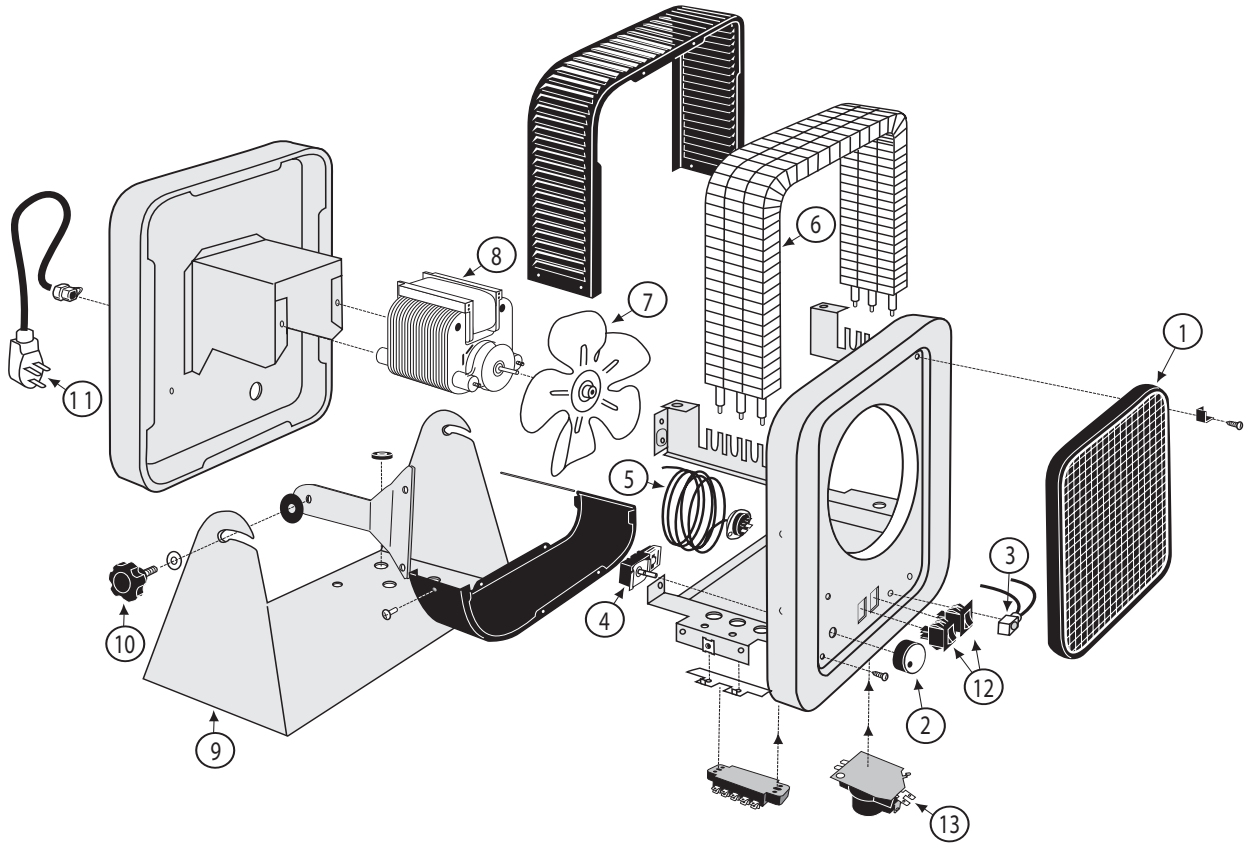


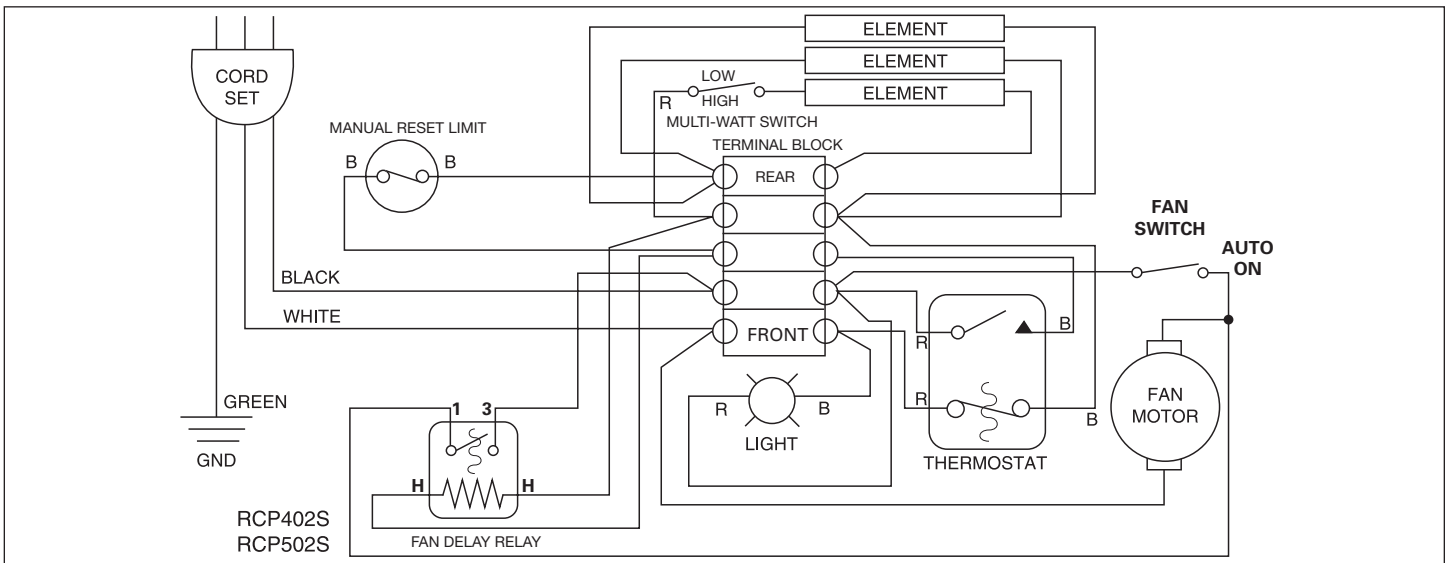
Figure 4

Note: Only the items listed below are available for purchase.

Parts List

- | | | | | | |
|----|--------|--------------------------------------|-----|--------|--------------------------|
| 1. | 410102 | Front Grill Assembly with clips | 7. | 001601 | Fan Blade |
| 2. | 040019 | Thermostat Knob | 8. | 051424 | Fan Motor |
| 3. | 050524 | Pilot Light | 9. | 400202 | Mounting Stand |
| 4. | 051226 | Thermostat | 10. | 040023 | Mounting Knob |
| 5. | 050327 | Temperature Limit Switch | 11. | 051901 | Cordset, RCP402S |
| 6. | 401723 | Element, RCP402S 1333/1000W (3 req.) | | 051903 | Cordset, RCP502S |
| | 401726 | Element, RCP502S 1667/1332W (3 req.) | 12. | 051707 | Rocker Switches (2 req.) |
| | | | 13. | 050520 | Fan Delay Relay |

Wiring Diagram

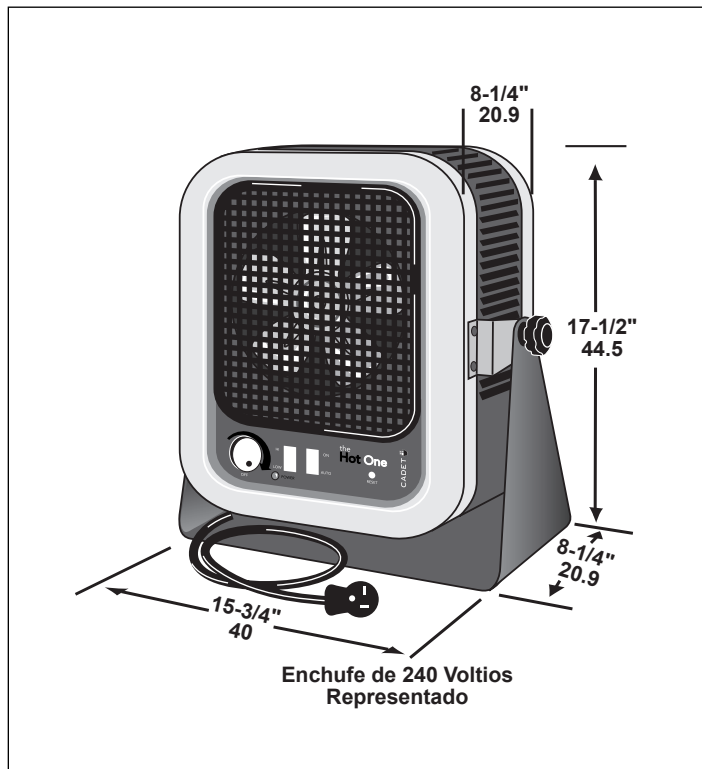


Beneficios En Las Que Puede Confiar

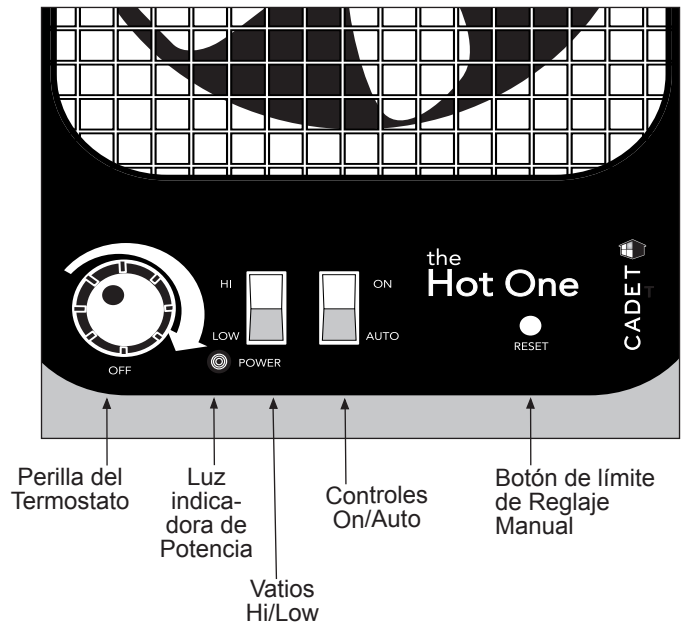
- Tranquilidad y seguridad gracias a la característica de corte automático por alta temperatura
- El interruptor High/Low ofrece dos opciones para la generación de calor
- Use el ventilador por sí solo para la circulación exclusiva de aire
- Ultraportátil con cable de seis pies y enchufe polarizado (se requiere el tomacorriente correcto)
- Incluye ménsula para montaje mural o uso en soporte de piso
- El calentador Cadet se ha probado completamente y cuenta con el respaldo de una **garantía limitada de 5 años**

RCP Tabla de Especificaciones				
Voltios	Modelo con Termostato	Vatios alta / baja	Amps alta / baja	Tipo de Enchufe
240	RCP502S	5000/3333	20.8/13.9	30 Amp
	RCP402S	4000/2667	16.7/11.1	20 Amp

Recomendado para elevaciones inferiores a 7500 pies.



Controles del calentador RCP:



CONSERVE ESTAS INSTRUCCIONES

INSTRUCCIONES IMPORTANTES

Al utilizar artefactos eléctricos, siempre se deben adoptar precauciones básicas para reducir el riesgo de incendios, electrocución y lesiones personales, incluyendo lo siguiente:

1. Lea todas las instrucciones antes de usar este calentador.
2. Este calentador se calienta cuando está en uso. Para evitar quemaduras, no lo toque con su piel descubierta. Use las manijas, si las hubiera, al mover este calentador. Mantenga los materiales combustibles tales como muebles, cojines, camas, papeles, ropas y cortinas a una distancia de por lo menos 3 pies (9 m) de la parte delantera, trasera y costados del calentador.
3. Tenga mucho cuidado cuando use el calentador en o cerca de niños o de personas inválidas, y cada vez que lo deje funcionando y sin vigilancia.
4. Siempre desenchufe el calentador cuando no lo esté usando.
5. No opere el calentador si el cable o enchufe están dañados, si se ha caído o sufrido algún tipo de daño. Devuelva el calentador a un centro de servicio autorizado para que lo revisen, le realicen ajustes eléctricos o mecánicos, o lo reparen.
6. No lo use a la intemperie.
7. Este calentador no está hecho para usarse en baños, zonas de lavandería ni otros lugares similares bajo techo. Nunca coloque el calentador donde pueda caer en una bañera o algún otro recipiente con agua.
8. No tienda el cable bajo las alfombras. No cubra el cable con alfombras, tapetes ni objetos similares. Disponga el cable lejos de zonas de tránsito, donde no produzca riesgo de tropiezo.
9. Para desconectar el calentador, ponga el control en "OFF" y luego quite el enchufe del tomacorriente.
10. Conecte la unidad sólo a tomacorrientes con una buena puesta a tierra.
11. No introduzca ni permita que ingresen objetos en las aberturas de la ventilación o escape, ya que ello puede causar electrocución o incendio, o bien dañar el calentador.
12. Para de aire ni el escape de manera alguna. No lo use en superficies blandas como una cama, donde las aberturas se puedan obstruir.
13. Todo calentador contiene piezas que se calientan y pueden producir arcos voltaicos o chispas. No lo use en áreas donde se utilice o almacene gasolina, pintura, o vapores o líquidos inflamables.
14. Use este calentador sólo como se describe en este manual. Todo otro uso no recomendado por el fabricante puede causar incendios, descargas eléctricas o lesiones personales.
15. Siempre enchufe el calentador directamente en un tomacorriente mural. Nunca lo use con un cable de extensión ni con una toma de alimentación reubicable (tomacorriente/regleta).
16. PRECAUCIÓN: No opere la unidad sin que tenga su soporte.

Conserve estas instrucciones.

CONSERVE ESTAS INSTRUCCIONES

www.cadetheat.com Tel: 360-693-2505 PO Box 1675 Vancouver, WA 98668-1675

INSTRUCCIONES PARA LA INSTALACIÓN

1. **ADVERTENCIA:** Riesgo de incendio. No lo use como calentador residencial o doméstico.
2. No lo use afuera o al aire libre.
3. Este calentador no está hecho para usarse en baños, zonas de lavandería ni otros lugares similares bajo techo.
4. **PRECAUCIÓN:** No opere la unidad sin que tenga su soporte.

5. El calentador debe mantenerse sin obstrucciones: Distancia mínima de 3 pies por delante, 6 pulgadas por detrás y por encima, y 12 pulgadas como mínimo por los costados. Vea la figura 3.
6. Siempre enchufe el calentador directamente en un tomacorriente mural de 240 voltios. Nunca lo use con un cable de extensión.

El modelo Hot One se puede colocar en el piso o bien instalar en la pared usando el soporte universal suministrado. Si se monta en la pared, mantenga un espacio mínimo de 6 pulgadas desde la parte superior de la unidad hasta el cielo raso. El modelo Hot One no se recomienda para montaje en cielo raso. Recomendado para elevaciones inferiores a 7500 pies.

PASO 1 Inspeccion y Armado del Calentador

Inspeccionar cuidadosamente su calentador para verificar que el mismo no ha sido dañado durante el envío o manejo y quitar todo el material de embalaje o papeles que se encuentren alrededor del calentador.

PASO 2 Requisitos de enchufes y tomacorrientes

PRECAUCION: Éste es un calentador de 240 voltios y requiere un tomacorriente de régimen similar. Consulte las configuraciones de enchufe (figura 1) a continuación.

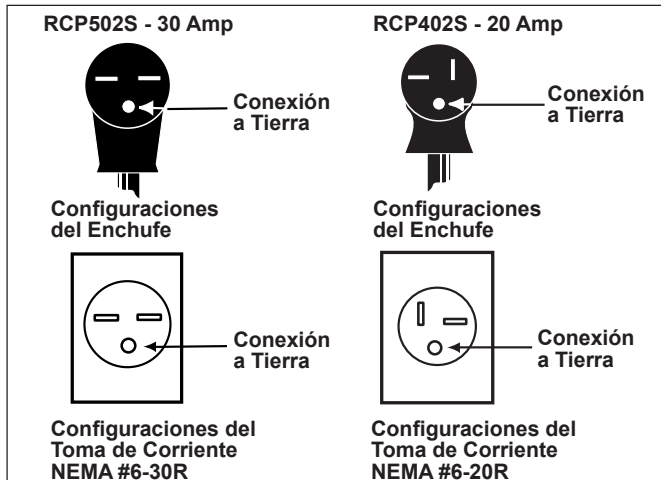


Figura 1

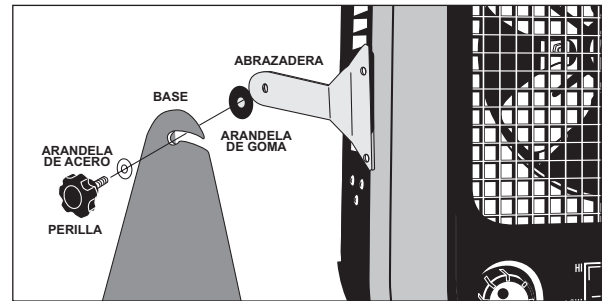


Figura 2

PASO 3 Montaje

El soporte universal se monta de la siguiente forma:

Montaje con soporte de piso

1. Coloque la arandela de acero, luego la de caucho en cada eje de perilla suministrado.
2. Atornille cada perilla en la ménsula suministrada en ambos lados del calentador, pero no las apriete.
3. Con el calentador en una superficie firme, deslice el soporte en cada eje de perilla entre las arandelas de acero y de caucho (consulte la figura 2).
4. Apriete las perillas.

Nota: El calentador se debe operar con el soporte conectado.

Montaje mural

1. Coloque la arandela de acero, luego la de caucho en cada eje de perilla suministrado.
2. Atornille cada perilla en la ménsula suministrada en ambos lados del calentador, pero no las apriete.
3. Monte el soporte en la pared. Tanto la pared como los herrajes de montaje deben tener la resistencia adecuada para soportar el calentador. Nota: Debe haber un tomacorriente de 240 voltios a una distancia máxima de seis pies del calentador.
4. Deslice el soporte en cada eje de perilla entre el acero y las arandelas de caucho (figura 2).
5. Apriete las perillas.

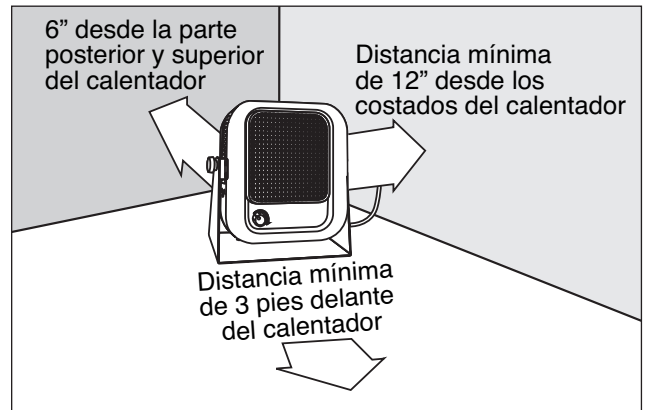


Figura 3

OPERACIÓN DEL CALENTADOR

1. El calentador debe instalarse correctamente antes de usarlo. El enchufe debe calzar exactamente en el tomacorriente. La luz roja indica que la unidad está encendida.
2. No opere la unidad sin que tenga su soporte.
3. No utilice el panel de cortacircuitos, ni el termostato mural para controlar el calentador.
4. Siempre desenchufe el calentador cuando no lo esté usando.

Cómo hacer funcionar el calentador

1. Seleccione el ajuste de vatiaje "LOW". Si no alcanza la temperatura que desea, seleccione el ajuste "HI".

NOTA: La temperatura del aire procedente de la frontal del calentador sera aproximadamente 40°F mas caliente que la temperatura ambiente en el ajuste "HI". En entornos extremadamente fríos, el aire del calentador puede no parecer caliente. A medida que el calentador continúa funcionando, el aire y la temperatura circundante continuará aumentando.

2. Seleccione 'AUTO' para operar el calentador con el termostato.
3. Gire el termostato completamente en el sentido de las manecillas del reloj. El calentador se pondrá en marcha.

NOTA: El ventilador operará aproximadamente unos 20 segundos tras el arranque. Esto permite que los elementos se calienten antes de expeler aire, eliminando así que arranque en frío. La operación del ventilador continuará unos 90 segundos después de que los elementos se apaguen para dispersar el calor.

4. Cuando la habitación alcance una temperatura que le resulte cómoda, gire la perilla del termostato en el sentido contrario a las manecillas del reloj hasta escuchar un chasquido. El calentador se encenderá y apagará automáticamente según esta temperatura preestablecida.
5. Para reducir la temperatura del ambiente, gire la perilla en el sentido contrario a las manecillas del reloj. Para aumentar la temperatura del ambiente, gire la perilla en el sentido de las manecillas del reloj.

AJUSTE DE ENCENDIDO "ON"

El ventilador puede funcionar continuamente cuando se fija en la posición "ON". Para la circulación de aire o enfriamiento (cuando no se desee calor), gire el termostato a la posición 'OFF' girando la perilla en sentido contrario a las manecillas del reloj.

NOTA: Si el termostato se pusiera en un ajuste superior a la temperatura ambiental, los elementos se encenderán y calentarán la zona hasta que la temperatura llegue al punto de ajuste programado. Una vez que los elementos se apaguen, el ventilador seguirá funcionando. Este ciclo continuará.

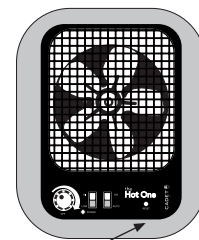
Cómo restablecer el control de límite de reglaje manual

Acerca del Control de límite de Temperatura de Reglaje Manual

El calentador está protegido mediante un interruptor de reglaje manual de alta temperatura, diseñado para abrir el circuito del calentador cuando se detectan temperaturas de funcionamiento excesivas.

Cómo Restablecer el Control de Límite de Reglaje Manual

Si el control de límite de reglaje manual ha abierto el circuito del calentador debido a temperaturas de funcionamiento excesivas, el calentador no funcionará o bien puede soplar aire frío hasta que se oprima el botón de reglaje del límite. Después de dejar que la unidad se enfríe durante unos 10 minutos y resolver el problema que causa que se disyunte el interruptor de límite (generalmente el calentador está bloqueado o necesita limpieza), utilice un objeto puntiagudo como un bolígrafo para acceder al botón de reglaje a través del orificio inferior derecho marcado "RESET". Oprima el botón FIRMEMENTE y asegúrese de escuchar y sentir un chasquido indicando que se ha restablecido. Si el reglaje manual continúa disyuntándose, revise el espacio libre alrededor del calentador y cerciórese de que cumpla con las distancias recomendadas.



Botón de límite de Reglaje Manual

Garantía

Para lograr una operación más eficaz y segura y prolongar la vida útil del calentador, lea la Guía del propietario y siga las instrucciones de mantenimiento. Si no le da el mantenimiento adecuado al calentador invalidará la garantía y puede hacer que el aparato funcione incorrectamente. Las garantías no son transferibles y rigen sólo para el comprador original. Los términos de la garantía se indican a continuación.

GARANTÍA LIMITADA DE CINCO AÑOS: Cadet reparará o reemplazará todo calentador The Hot One (RCP) que se determine esté averiado en un plazo de cinco años a partir de la fecha de compra.

Estas garantías no son pertinentes para:

1. Daños que sufra el producto por instalación o voltaje de suministro incorrectos;
2. Daños que sufra el producto por mantenimiento incorrecto, uso indebido, abuso, accidente o alteraciones;
3. Servicio que se le haya dado al producto por parte de personas o entidades ajenas a Cadet.
4. Casos en que no se pueda determinar la fecha de fabricación del producto;
5. Casos en que el producto resulte dañado durante el embarque por causas ajenas a Cadet.
6. LA GARANTÍA DE CADET SE LIMITA A LA REPARACIÓN O REEMPLAZO, TAL COMO SE ESTABLECE EN ESTE DOCUMENTO. CADET NO SE HARÁ RESPONSABLE POR DAÑOS A LA PROPIEDAD O DAÑOS CONSECUENTES, COMO TAMPOCO POR GASTOS ACCIDENTALES DEBIDO AL INCUMPLIMIENTO DE ESTAS GARANTÍAS ESCRITAS O DE CUALQUIER GARANTÍA EXPRESA O IMPLÍCITA.

7. EN CASO DE QUE CADET DECIDA REEMPLAZAR ALGUNA PIEZA DEL PRODUCTO CADET, LOS REPUESTOS SE REGISTRAN POR LAS MISMAS GARANTÍAS DEL PRODUCTO. LA INSTALACIÓN O REEMPLAZO DE LOS REPUESTOS NO MODIFICA NI PROLONGA LAS GARANTÍAS VIGENTES. EL REEMPLAZO O REPARACIÓN DE TODO PRODUCTO O PIEZA CADET NO ORIGINA NINGÚN TIPO DE NUEVA GARANTÍA.

8. Estas garantías le otorgan derechos legales específicos y es posible que usted tenga otros derechos que varíen de un estado a otro. Cadet no asume ni autoriza a nadie que lo haga en su nombre, ninguna otra obligación o responsabilidad en relación con sus productos que no sean las que se establecen en este documento.

Si durante el período de garantía usted considera que su producto Cadet presenta defectos, comuníquese con Cadet Manufacturing Co. llamando al 360-693-2505 para obtener instrucciones sobre cómo tramitar la reparación o el reemplazo del producto. Los reclamos de garantía presentados después de la finalización del período no serán acogidos. Los productos que se devuelvan sin autorización serán rechazados.

Repuestos y servicio

En cadetheat.com/parts-service encontrará información sobre dónde obtener repuestos y servicio.

Reduzca-reutilice-recicle

Este producto está hecho principalmente de materiales reciclables. Puede reducir la cantidad de carbono que contribuye al medio ambiente reciclando este producto al término de su vida útil. Comuníquese con su centro local de reciclaje para obtener mayores instrucciones al respecto.



MANTENIMIENTO DEL CALENTADOR

Mantenimiento Según sea necesario, o cada seis meses como mínimo.

⚠ ADVERTENCIA: Toda otra labor no detallada en esta Guía para el propietario la debe efectuar un representante de servicio autorizado.

1. Deje que el calentador se enfríe, y luego desconecte el cable eléctrico de la fuente de alimentación. Para desconectarlo, ponga el control en "OFF" y luego quite el enchufe del tomacorriente.
2. Quite la rejilla difusora delantera extrayendo los 4 tornillos (1 de cada esquina).
3. Lave la rejilla con agua caliente con detergente y séquela de inmediato, o bien use un compresor de aire para soplar la suciedad de las persianas.

4. Mientras sujeta el ventilador (para evitar que se dañe o tuerza), utilice un compresor de aire, un secador de cabello o una aspiradora en el ciclo de soplado para quitar la suciedad en las persianas del armario externo y los elementos con aletas (sin tocarlos, ya que éstos tienen superficies afiladas).
5. Aspire o sople aire dentro de la zona del ventilador sin tocar los elementos.
6. Limpie cuidadosamente el aspa con un paño sin dañarla ni torcerla.
7. Vuelva a instalar la rejilla difusora y fíjela con los tornillos.

Tabla de resolución de problemas

***CONSULTE LOS CÓDIGOS ELÉCTRICOS LOCALES PARA DETERMINAR QUÉ TRABAJOS DEBEN SER REALIZADOS POR PERSONAL DE SERVICIO ELÉCTRICO CALIFICADO.**

Síntoma	Problema	Solución
El enchufe no calza en el tomacorriente.	1. El calentador es de 240 voltios por lo que requiere un tomacorriente también de 240 voltios y de 20 ó 30 amperios (ver Fig. 1).	1. NO altere el cable. Instale un tomacorriente correcto de 240 voltios (consulte la figura 1) o devuelva el calentador en su estado original.*
El calentador no funciona.	1. El calentador está o ha estado bloqueado. 2. El termostato se ha graduado muy bajo. 3. El cortacircuito no está encendido. 4. Conexión del enchufe suelta. 5. Limitador de reglaje manual averiado.	1. Retire la obstrucción. Presione el botón de reglaje manual que se encuentra en el panel delantero inferior. 2. Gire la perilla en el sentido de las manecillas del reloj hasta que se escuche un chasquido. 3. Encienda el cortacircuito. 4. Verifique la conexión del enchufe. 5. Reemplace el limitador de reglaje manual.*
Los elementos calientan, pero el ventilador no funciona.	1. Relé de retardo del ventilador defectuoso. 2. Aspa del ventilador atascada. 3. Motor defectuoso.	1. Reemplace el relé de retardo del ventilador.* 2. Retire la obstrucción. 3. Reemplace el motor del ventilador.*
El ventilador del calentador funciona pero no envía aire caliente.	1. Se disyuntó el limitador de reglaje manual. 2. El ventilador está encendido en "ON" y el ajuste del termostato está bajo la temperatura real. 3. Elementos calentadores defectuosos. 4. Alambre suelto en los elementos. 5. El aumento de temperatura en el calentador es de 40°F.	1. Deje que el calentador se enfríe y luego presione el reglaje 2. Aumente el ajuste del termostato; coloque el interruptor del ventilador en "AUTO" 3. Reemplace los elementos.* 4. Revise y corrija el alambre suelto 5. Cierre puertas y ventanas. Ponga más aislamiento o más calentadores. Espere que la habitación se entibie.
El calentador no se apaga.	1. La pérdida de calor de la zona es superior a la capacidad del calentador. 2. Termostato defectuoso. 3. El interruptor del ventilador está encendido en "ON". 4. El ventilador dispersa aire tibio después de haberse apagado.	1. Cierre puertas y ventanas. Ponga más aislamiento o más calentadores 2. Reemplace el termostato.* 3. Cambie el interruptor del ventilador al ajuste "AUTO" 4. El ventilador se apagará en unos 90 segundos.
El calentador emite humo.	1. Se han acumulado polvo, suciedad y pelusas dentro del calentador. 2. Aspa del ventilador atascada.	1. Limpie el calentador. Limpie la acumulación de suciedad del calentador con aire comprimido (se recomienda usar un compresor de aire) 2. Retire la obstrucción.
El limitador de reglaje manual se disyunta reiteradamente.	1. Sobrecalentamiento. 2. Sobrecalentamiento al apagar el aparato. 3. Sobrecalentamiento por exceso de polvo o partículas de suciedad. 4. Sobrecalentamiento debido a la elevación del lugar de instalación.	1. Verifique todos los requisitos de espaciado. Se requiere un espaciado mínimo de 6 pulg. entre la parte superior del calentador y el cielo raso. No se recomienda el uso de este calentador para montaje en cielo raso 2. Deje de usar el cortacircuito para controlar el calentador, o bien reemplace el interruptor de retardo temporal.* 3. Limpie el calentador (vea las instrucciones en la sección "Operación y Mantenimiento") 4. La elevación del lugar de instalación sobrepasa los 7500 pies recomendados.

MANTENIMIENTO DEL CALENTADOR (continuación)

Lista de Piezas

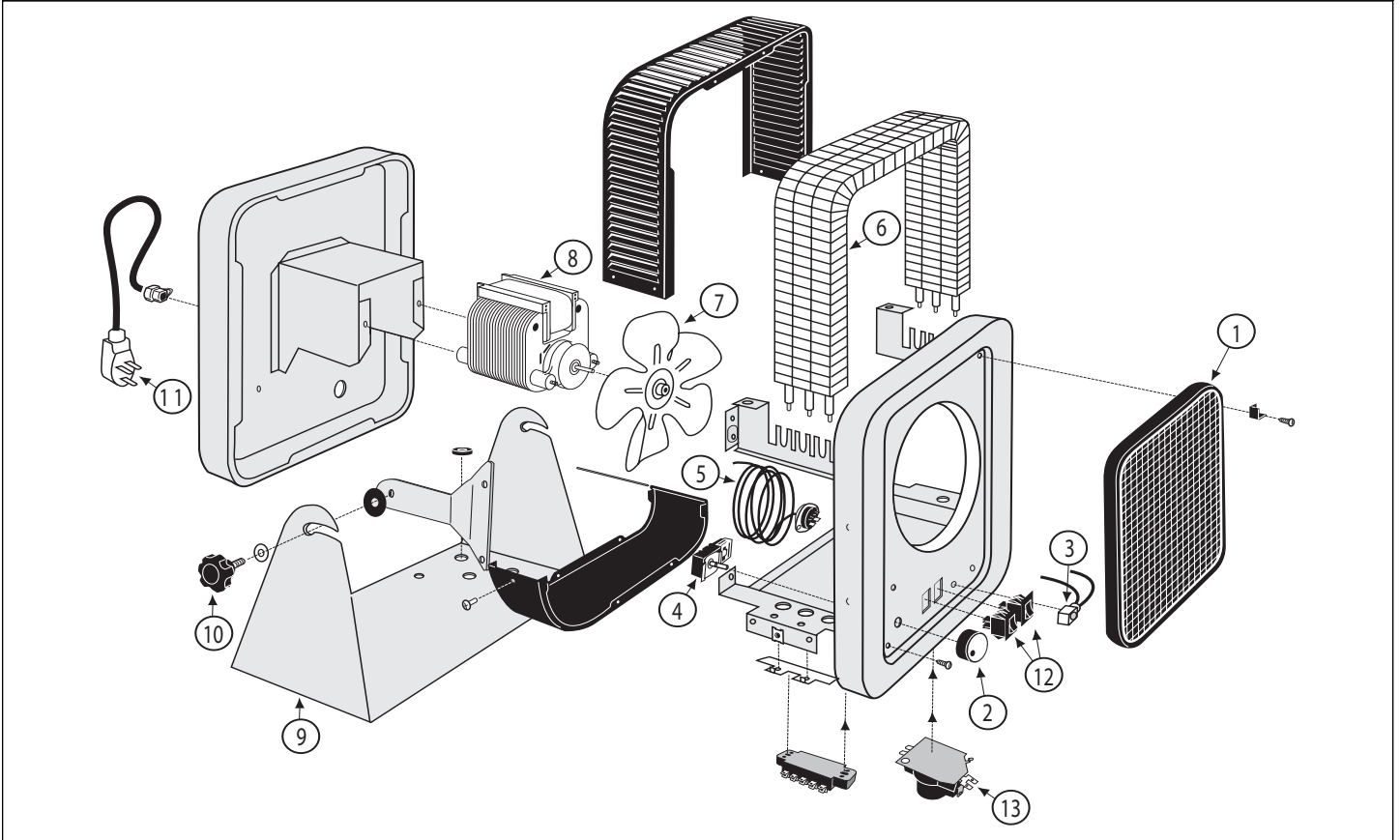


Figura 4

Nota: Sólo los elementos antedichos están disponibles para la venta.

Parts List

- | | | | | | |
|----|--------|---|-----|--------|---------------------------------------|
| 1. | 410102 | Conjunto de Rejilla Frontal con Presillas | 7. | 001601 | Ventilador de Aspas |
| 2. | 040019 | Perilla del Termostato | 8. | 051424 | Motor del Ventilador |
| 3. | 050524 | Luz de Piloto | 9. | 400202 | Soporte de Montaje |
| 4. | 051226 | Termostato | 10. | 040023 | Perilla de Montaje |
| 5. | 050327 | Interruptor de límite de Temperatura | 11. | 051901 | Juego de Cables, RCP402S |
| 6. | 401723 | Elemento, RCP402S 1333/1000W (se req. 3) | | 051903 | Juego de Cables, RCP502S |
| | 401726 | Elemento, RCP502S 1667/1332W (se req. 3) | 12. | 051707 | Interruptores Basculantes (se req. 2) |
| | | | 13. | 050520 | Relé de Retardo del Ventilador |

Diagramas de cableado

