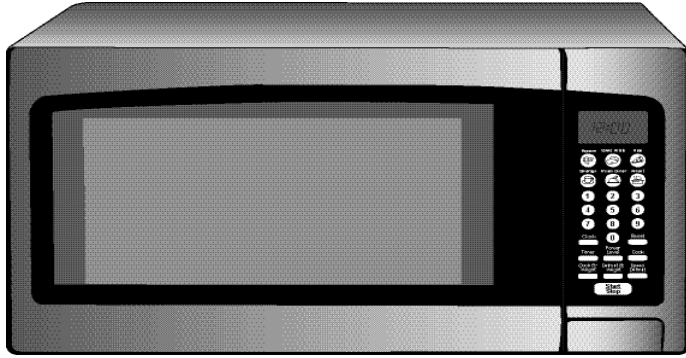




Owner's Use and Care Guide Guide d'utilisation et soins de Propriétaire

Model • Modèle
DMW111KPSSDD



CAUTION:
Read and follow
all safety rules
and operating
instructions before
first use of this
product.

MISE EN GARDE:
Lisez et suivez
toutes les consignes
de sécurité et
d'utilisation avant la
première utilisation
de ce produit.

MICROWAVE OVEN

Owner's Use and Care Guide

..... 1 - 12

- Welcome
- Important Safety Information
- Important Safety Instructions
- Installation Guide
- Operation
- Care and Maintenance
- Warranty

FOUR À MICRO-ONDES

Guide d'utilisation et soins de Propriétaire

..... 13 - 24

- Bienvenue
- Information de Sécurité Important
- Consignes de Sécurité Important
- Guide d'Installation
- Fonctionnement
- Soins et Entretien
- Garantie

WELCOME

Welcome to the Danby family. We're proud of our quality products and we believe in dependable service. You'll see it in this easy to use manual and you'll hear it in the friendly voices of our consumer service department.

**Tel: 1-800-26-Danby®
(1-800-263-2629)**

Best of all, you'll experience these values each time you use your microwave. That's important, because your new microwave will be part of your family for a long time.

BEFORE USING YOUR MICROWAVE

Write down the model and serial numbers here. They are on a label located on the back of the oven.

Model Number _____

Serial Number _____

Date Purchased _____

Staple your receipt to this manual. You will need it to obtain service under warranty.

NEED HELP?

Before you call for service, there are a few things you can do to help us serve you better...

Read this manual:

It contains instructions to help you use and maintain your microwave properly.

If you received a damaged oven:

Immediately contact the dealer (or builder) that sold you the oven.

Save time and money:

Check the section titled "Troubleshooting" before calling. This section helps you solve common problems that might occur. If you do need service, you can relax knowing help is only a phone call away.

**Tel: 1-800-26-Danby®
(1-800-263-2629)**



IMPORTANT SAFETY INFORMATION

READ ALL SAFETY INFORMATION BEFORE USING

PRECAUTIONS TO AVOID POSSIBLE EXPOSURE TO EXCESSIVE MICROWAVE ENERGY

For your safety the information in this manual must be followed to minimize the risk of fire or explosion or to prevent property damage, personal injury or loss of life.

Do Not Attempt to operate this oven with the door open since open-door operation can result in harmful exposure to microwave energy. It is important not to defeat or tamper with the safety interlocks.

Do Not Place any object between the oven front face and the door or allow soil or cleaner residue to accumulate on sealing surfaces.

Do Not Operate the oven if it is damaged. It is particularly important that the oven door close properly and that there is no damage to the:

- 1 door (bent),
- 2 hinges and latches (broken or loosened),
- 3 door seals and sealing surfaces.

The Oven Should Not be adjusted or repaired by anyone except properly qualified service personnel.

FEDERAL COMMUNICATIONS COMMISSION RADIO FREQUENCY INTERFERENCE STATEMENT (U.S.A. ONLY)

This equipment generates and uses ISM frequencies and if not installed and used properly, that is in strict accordance with the manufacturer's instructions, may cause interference to radio and television reception. It has been type-tested and found to comply with limits for ISM Equipment pursuant to Part 18 of FCC Rules, which are designed to provide reasonable protection against such interference in a residential installation.

However, there is no guarantee that interference will not occur in particular installations. If this equipment does cause interference to radio or television reception, which can be determined by turning the equipment off and on, the user is encouraged to try to correct the interference by one or more of the following:

- Reorient the receiving antenna of radio or television.
- Relocate the microwave oven with respect to the receiver.
- Move the microwave oven away from the receiver.
- Plug the microwave into a different outlet so that microwave and receiver are on different branch circuits.

The Manufacturer is not responsible for any radio or TV interference caused by **UNAUTHORIZED MODIFICATION** to this microwave oven. It is the responsibility of the user to correct such interference.

SAVE THESE INSTRUCTIONS!

IMPORTANT SAFETY INSTRUCTIONS

WARNING

To reduce the risk of fire, burns, electric shock, injury to persons or exposure of excessive microwave energy when using your appliance, follow basic precautions, including the following sections.

SAFETY PRECAUTIONS

- Read and follow the specific “Precautions to Avoid Possible Exposure to Excessive Microwave Energy” on page 2.
 - This appliance must be grounded. Connect only to a properly grounded outlet. See “Grounding Instructions” section on page 5.
 - Do not operate this appliance if it has a damaged power cord or plug, if it is not working properly, or if it has been damaged or dropped.
 - Do not cover or block any openings on the appliance.
 - Use this appliance only for its intended use as described in this manual. Do not use corrosive chemicals or vapors in this appliance.
 - This microwave oven is specifically designed to heat, dry or cook food, and is not intended for laboratory or industrial use.
 - Some products such as whole eggs and sealed containers – for example, closed glass jars- may explode and should not be heated in this oven.
 - Do not store this appliance outdoors.
 - Do not use this product near water-for example, in a wet basement, near a swimming pool or near a sink.
 - Keep power cord away from heated surfaces.
 - Do not immerse power cord or plug in water.
 - See door surface cleaning instructions in the Care and Maintenance section(s) of this manual.
 - This appliance should be serviced only by qualified service personnel. Contact nearest authorized service facility for examination, repair or adjustment.
 - As with any appliance, close supervision is necessary when used by children.
- To reduce the risk of fire in the oven cavity:**
- Do not overcook food.
 - Carefully attend appliance if paper, plastic or other combustible materials are placed inside the oven while cooking.
 - Remove wire twist-ties and metal handles from paper or plastic containers before placing them in the oven.
 - Do not use the oven for storage purposes. Do not leave paper products, cooking utensils or food in the oven when not in use.
 - Do not use the microwave to dry newspapers.
 - If materials inside oven should ignite, keep the oven door closed, turn the oven off and disconnect the power at the fuse or circuit breaker panel. If the door is opened, the fire may spread.

IMPORTANT SAFETY INSTRUCTIONS

SPECIAL NOTES ABOUT MICROWAVING

ARCING If you see arcing, press the “START/STOP” button and correct the problem.

Arcing is the microwave term for sparks in the oven. Arcing is caused by:

- Metal or foil touching the side of the oven.
- Foil not molded to food (upturned edges act like antennae).
- Metal, such as twist-ties, poultry pins, or gold-rimmed dishes, in the microwave.
- Recycled paper towels containing small metal pieces being used in the microwave.

FOODS

- Only cook popcorn in your microwave oven using a special microwave popcorn accessory dish, unless you use popcorn labeled for use in microwave ovens.
- Some products- such as whole eggs (with shell), sealed containers, and closed jars - will explode and should not be heated in this microwave oven. Heating these products in the microwave oven could result in injury.
- Do not boil eggs in a microwave oven. Pressure will build up inside egg yolk and will cause it to burst, possibly resulting in injury.
- Operating the microwave with no food inside may cause damage to the oven and could start a fire. It increases the heat around the magnetron and can shorten the life of the oven.
- Foods with unbroken outer “skin” such as potatoes, hot dogs, sausages, tomatoes, apples, chicken livers and other giblets, and egg yolks should be pierced to allow steam to escape before cooking.

SAFETY FACT: SUPERHEATED WATER

Microwaved water and other liquids do not always bubble when they reach the boiling point; they can actually get superheated and not bubble at all. Superheated liquid can bubble up when it is moved or when something like a spoon or tea bag is put into it. To prevent this from happening and causing injury, do not heat any liquid for more than 2 minutes per cup. After heating, let the cup stand in the microwave for 30 seconds before moving it or putting anything into it.

- Avoid heating baby food in glass jars, even with the lid off. Make sure all infant food is thoroughly cooked. Stir food to distribute the heat evenly. Be careful to prevent scalding when warming formula. The container may feel cooler than the milk really is. **Always test the milk before feeding the baby.**
- Spontaneous boiling- Under certain circumstances, liquids may start to boil during or shortly after removal from the microwave oven. To prevent burns from splashing liquid, we recommend the following:
 - Before removing the container from the oven, allow the container to stand in the the oven for 30 to 40 containers such as soft drink bottles, wine flasks and especially narrow-necked coffee cups. Even if the container is opened, excessive steam can build up and cause it to burst or overflow.
 - Don’t defrost frozen beverages in narrow-necked bottles (especially carbonated beverages). Even if the container is opened, pressure can build up. This can cause the container to burst, possibly resulting in injury.
 - Hot foods and steam can cause burns. Be careful when opening any containers of hot food, including popcorn bags, cooking pouches and boxes. To prevent possible injury, direct steam away from hands and face.
 - Do not overcook potatoes. They could dehydrate and catch fire, causing damage to your oven.
 - Cook meat and poultry thoroughly- meat to at least an INTERNAL temperature of 160°F (71.1°C), and poultry to at least an INTERNAL temperature of 180°F (82.2°C). Cooking to these temperatures usually protects against food borne illness.

IMPORTANT SAFETY INSTRUCTIONS

MICROWAVE-SAFE COOKWARE

SPECIAL NOTES ABOUT MICROWAVING

Make sure all cookware used in your microwave oven is suitable for microwaving. Most glass casserole, cooking dishes, measuring cups, custard cups, pottery or china dinnerware which do not have metallic trim or glaze with a metallic sheen can be used. Some cookware will be labeled "suitable for microwaving".

- If you use a meat thermometer while cooking, make sure it is safe for use in microwave ovens.
- Do not use recycled paper products. Recycled paper towels, napkins, and waxed paper can contain metal flecks which may cause arcing or ignite. Paper products containing nylon or nylon filament should be avoided, as they may also ignite.
- Not all plastic wrap is suitable for use in microwave ovens. Check the package for proper use.
- Some styrofoam trays (like those that meat is packaged on) have a thin strip of metal embedded in the bottom. When microwaved, the metal can burn the floor of the oven, or ignite a paper towel.
- Cookware may become hot because of heat transferred from the heated food. Pot holders may be needed to handle the cookware.
- "Boilable" cooking pouches and tightly closed plastic bags should be slit, pierced, or vented as directed by package. If they are not, plastic could burst during or immediately after cooking, possibly resulting in injury. Also, plastic storage containers should be at least partially uncovered because they form a tight seal. When cooking with containers tightly covered with plastic wrap, remove covering carefully and direct steam away from hands and face.

- Paper towels, waxed paper, and plastic wrap can be used to cover dishes in order to retain moisture and prevent splattering. Be sure to vent plastic wrap so steam can escape.

How to test for a microwave-safe dish:

- 1) Place in the oven both the dish you are testing and a glass measuring cup filled with 1 cup of water.
- 2) Set the measuring cup either in or next to the dish.
- 3) Microwave 1 minute on high power.

If the dish heats, it should not be used for microwaving. If the dish remains cool and only the water in the cup heats, then the dish is microwave-safe.

- Use foil only as directed in this manual. TV dinners may be microwaved in foil trays less than 3/4" high; remove the top foil cover and return the tray to the box. When using foil in the microwave, keep the foil at least 1 inch away from the sides of the oven.
- Plastic cookware designed for microwave cooking is very useful, but should be used carefully. Even microwave-safe plastic may not be as tolerant of overcooking conditions as are glass and ceramic materials, and may soften or char if subjected to short periods of over-cooking. In longer exposure to over-cooking, the food and cookware could ignite.

Follow these guidelines:

- 1) Use Microwave-safe plastics only and use them in strict compliance with the cookware manufacturer's recommendations.
- 2) Do not microwave empty containers.
- 3) Do not permit children to use plastic cookware without complete supervision.

GROUNDING INSTRUCTIONS

WARNING: Improper use of the grounding plug can result in a risk of electric shock.

This appliance must be grounded. In the event of an electrical short circuit, grounding reduces the risk of electric shock by providing an escape wire for the electric current. This appliance is equipped with a power cord having a grounding wire with a grounding plug. The plug must be plugged into an outlet that is properly installed and grounded.

Consult a qualified electrician or service technician if the grounding instructions are not completely understood, or if doubt exists as to whether the appliance is properly grounded. If the outlet is a standard 2-prong wall outlet, it is your personal responsibility and obligation to have it replaced with a properly grounded 3-prong wall outlet.

DO NOT under any circumstances cut or remove the third (ground) prong from the power cord.

DO NOT use an adapter plug with this appliance.

DO NOT use an extension cord with this appliance. If the power cord is too short, have a qualified electrician or service technician install an outlet near the appliance.

For best operation, plug this appliance into its own electrical outlet to prevent flickering of lights, blowing of fuse, or tripping of circuit breaker.

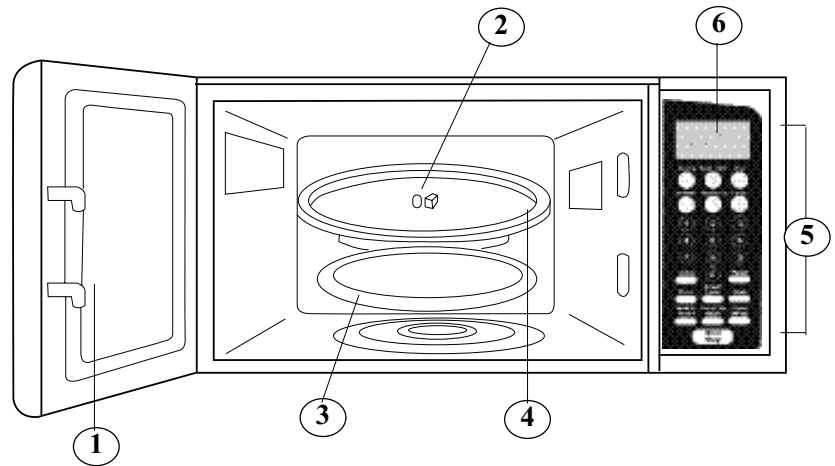
INSTALLATION GUIDE

- 1) Make sure that all packing materials are removed from the inside of the microwave oven.
- 2) Check the microwave for any damage, such as misaligned or bent door, damaged door seals and sealing surface, broken or loose door hinges and latches, and dents inside the cavity or on the door. If there is any damage, do not operate the oven but contact a qualified service personnel.
- 3) This microwave oven must be placed on a flat, stable surface to hold its weight.
- 4) Do not place the microwave oven where heat, moisture, or high humidity are generated, or near combustible materials.
- 5) For correct operation, the microwave oven must have sufficient air flow. Allow 20 cm of space above the microwave oven, 10 cm at back and 5 cm at both sides. Do not cover or block any openings on the appliance. Do not remove the feet on which the microwave oven stands.
- 6) Do not operate the oven without glass tray, roller support, and shafts in their proper positions.
- 7) Make sure that the power supply cord is undamaged and does not run under the microwave oven or over any hot or sharp surfaces.
- 8) The socket must be readily accessible so that it can be easily unplugged in an emergency.

OPERATION

FEATURES OF YOUR MICROWAVE

- 1) **Oven Window:** Screen allows cooking to be viewed while keeping microwave energy confined in oven.
- 2) **Turntable Shaft**
- 3) **Roller Ring**
- 4) **Removable Glass Turntable:** Turntable and support must be in place when using the oven. The turntable may be removed for cleaning.
- 5) **Control Panel**
- 6) **Electronic Display**



CONTROLS

- **MENU ACTION SCREEN:** Cooking time, power, indicators and current time are displayed.
- **QUICK COOK BUTTONS:** Instant settings to cook popular foods.
- **POWER LEVEL:** Used to set power levels other than high.
- **TIMER:** Timer functions independently, even while a cooking program is in process.
- **COOK:** Use for multi-stage cooking. Enables cooking at multiple power and time settings automatically.
- **COOK BY WEIGHT:** Programmed cooking based on weight of foods cooked.
- **DEFROST BY WEIGHT:** Programmed defrosting based on the weight of the foods to be defrosted.
- **SPEED DEFROST:** Quick defrost function that alternates defrost and stand times to quickly and effectively defrost foods.
- **NUMBER PADS (0-9):** Touch to set time or amount.
- **CLOCK:** Sets current time.
- **RESET:** Clears all previous settings.
- **START/STOP:** Touch to start or stop cooking.



OPERATION

SETTING THE CLOCK

Your microwave clock is a 12-hour system.

- 1) Press “**CLOCK**” pad.
- 2) Press the number keys and enter the current time. For example, to set 12:10, press “1, 2, 1, 0” in turn.
- 3) Press “**CLOCK**” again to finish clock setting.

NOTES:

- When the microwave is first plugged in, or when power resumes after a power interruption, the display will show **ENTER CLOCK TIME**. If you prefer not to have the clock displayed, touch **RESET**.
- You can check the clock time while cooking is in progress by touching the **CLOCK** pad.

SETTING THE KITCHEN TIMER

- 1) Press “**TIMER**” pad.
- 2) Press the number keys and enter the timer time (the maximum cooking time is 99 minutes and 99 seconds).
- 3) Press “**START/STOP.**” to confirm the setting.

NOTES:

- Timer countdown can be seen in the display before the clock or cooking time is returned to the display.
- Touch **TIMER** and then **RESET** to cancel the Timer during timing process.

MICROWAVE COOKING

SETTING A COOKING PROGRAM:

A) One-Stage Cooking.

- 1) Use the number pads to set a cooking time. You can set a cooking time from one second to 99 minutes and 99 seconds.
- 2) If you want to set a power level other than 100% power, touch **POWER LEVEL** and then use the number pads to enter the power level desired.
- 3) Touch **START/STOP** to start cooking.

B) Two-Stage Cooking.

- 1) **Set STAGE 1:** Follow steps 1 and 2 in “**One-Stage Cooking**”. **DO NOT** touch **START/STOP**.
- 2) **Set STAGE 2:** Touch **COOK**, then enter desired cooking time and power level. Most two-stage recipes use lower power for the second stage.
- 3) Touch **START/STOP**.

NOTE: After total time has elapsed, signal sounds and **END** appears in the display. Touch any pad or open the microwave oven door to clear **END** before starting another cooking function.

USE THESE SINGLE DIGITS TO REPRESENT POWER LEVELS:

Number	% of Power
9	90%
8	80%
7	70%
6	60%
5	50%
4	40%
3	30%
2	20%
1	10%

OPERATION

SPEED DEFROST

- 1) Touch **SPEED DEFROST**.
- 2) Enter desired defrosting time by touching corresponding number pads. Digital timer sets minutes and seconds from left to right so a single digit can be set (5 for 5 seconds) or up to 4 digits (2, 4, 0, 5 for 24 minutes and 5 seconds).
- 3) Touch **START/STOP**.

NOTES:

- The longest valid defrosting time is 99 min., 99 sec.
- After time has elapsed signals sound and **END** appears in display. Touch any pad or open the door to clear **END** before starting another cooking function.

- After setting Speed Defrost, microwave can be programmed to automatically switch to one or two-stage cooking.

- For Speed Defrost and one stage cooking, follow steps 1-3. Before touching **START/STOP**, touch **COOK**, enter time and power level. Then touch **START/STOP**.

- For Speed Defrost and two stage cooking, follow steps above, only you will enter two separate time's and power levels consecutively before touching **START/STOP**.

COOK BY WEIGHT

- 1) Press "**COOK BY WEIGHT**".
- 2) Enter the one digit (see Table 1) code by touching the correct number pads.
- 3) Enter weight.
- 4) Touch **START/STOP**.

NOTES:

- Meat must be defrosted and at refrigerated temperature.
- Weight must be in pounds and ounces. Ounce weights less than 10 must be preceded by a 0. If label gives weight in pounds only, change the fraction of a pound to ounces using Table 2.
- At around mid point of the program, the oven will stop and beep. Turn the food over or rearrange pieces for more even cooking. Press **START/QUICK START** to resume the program.

CODE	TYPE	MAX. WEIGHT
1	Beef	5lbs. 16 oz.
2	Mutton	5 lbs. 16 oz.
3	Pork	5 lbs. 4 oz.

FRACTION OF POUND	OUNCES
less than 0.3	0
0.4 to 0.9	1
0.10 to 0.15	2
0.16 to 0.21	3
0.22 to 0.27	4
0.28 to 0.34	5
0.35 to 0.40	6
0.41 to 0.46	7
0.47 to 0.53	8
0.54 to 0.59	9
0.60 to 0.65	10
0.66 to 0.71	11
0.72 to 0.78	12
0.79 to 0.84	13
0.85 to 0.90	14
0.91 to 0.97	15

DEFROST BY WEIGHT

- 1) Touch **DEFROST BY WEIGHT** pad.
- 2) Enter weight.
- 3) Touch **START/STOP** pad.

NOTES:

- Weight must be in pounds and ounces. Ounce

weights less than 10 must be preceded by a 0. If label gives weight in pounds only, change the fraction of a pound to ounces using Table 2. The maximum weight is 5 lbs. 16 oz.

- Turn over food when oven signals twice. Touch **START/STOP** pad to resume defrosting.
- After defrosting time has ended signal will sound and **END** appears in display. Touch any pad or open the door to clear **END** before starting a function.

OPERATION

ONE TOUCH COOKING

POPCORN:

a) Touch **POPCORN**; **CODE** and cooking time appear in the display. **POPCORN** automatically sets the cooking time for a 3.5 oz. bag of microwave popcorn.

b) Touch **START/STOP**.

NOTE: To change the preset **POPCORN** time: Touch **POPCORN** twice. **ENTER TIME** appears in the display; touch number pads to enter minutes and seconds. Touch **START/STOP**. This new cooking time will remain whenever you use the **POPCORN** setting.

POTATO:

For 4 to 6 oz. potatoes:

1) Touch **POTATO** once.

2) Enter number of potatoes by touching number pads from 1 to 4.

3) Touch **START/STOP**.

For large 8 to 10 oz. potatoes:

1) Touch **POTATO** twice.

2) Enter number of potatoes by touching number pads from 1 to 4.

3) Touch **START/STOP**.

BEVERAGE:

For 5 to 7 cups:

1) Touch **BEVERAGE** once.

2) Enter number of cups by touching number pads from 1 to 4.

3) Touch **START/STOP**.

For larger 9 to 11 oz. cups:

1) Touch **BEVERAGE** twice.

2) Enter number of cups by touching number pads from 1 to 4.

3) Touch **START/STOP**.

FROZEN DINNER:

For one or two small (7-9 oz.) frozen dinners:

1) Touch **FROZEN DINNER** once.

2) For 1 entree, touch the number pad "1"; for 2 touch "2".

3) Touch **START/STOP**.

For one or two large (10-12 oz.) frozen dinners:

1) Touch **FROZEN DINNER** twice.

2) For 1 entree touch the number pad "1"; for 2 press "2".

3) Touch **START/STOP**.

PIZZA:

Reheating a slice of pizza:

1) Touch **PIZZA** once; **CODE** and cooking time appears.

2) Touch **START/STOP**.

Heating a whole frozen pizza:

1) Touch **PIZZA** twice; **CODE** and cooking time appears.

2) Touch **START/STOP**.

REHEAT:

1) Touch **REHEAT** pad. **CODE** and cooking time appear.

2) Touch **START/STOP**.

POWER SUPPLY CORD

SPECIAL CORD SET INSTRUCTIONS

DANGER - Electric Shock Hazard

Touching some of the internal components can cause serious personal injury or death. Do not disassemble this appliance.

WARNING - Electric Shock Hazard

Improper grounding can result in electric shock. Do not plug into an outlet until appliance is properly installed and grounded.

CARE AND MAINTENANCE

- 1) Turn off the oven and remove the power plug from the wall socket before cleaning.
- 2) Keep the inside of the oven clean. When food splatters or spilled liquids adhere to oven walls, wipe with a damp cloth. Mild detergent may be used if the oven gets very dirty. Avoid the use of spray and other harsh cleaners as they may stain, streak or dull the door surface.
- 3) The outside surfaces should be cleaned with a damp cloth. To prevent damage to the operating parts inside the oven, water should not be allowed to seep into the ventilation openings.
- 4) Wipe the window on both sides with a damp cloth to remove any spills or splatters.
- 5) Do not allow the control panel to become wet. Clean with a soft, damp cloth. When cleaning the control panel, leave oven door open to prevent oven from accidentally turning on.
- 6) If steam accumulates inside or around the outside of the oven door, wipe with a soft cloth. This may occur when the microwave oven is operated under high humidity conditions; this is normal.
- 7) It is occasionally necessary to remove the glass tray for cleaning. Wash the tray in warm sudsy water or in a dishwasher.
- 8) The roller ring and oven floor should be cleaned regularly to avoid excessive noise. Simply wipe the bottom surface of the oven with mild detergent. The roller ring may be washed in mild sudsy water or dishwasher. When removing the roller ring from cavity floor for cleaning, be sure to replace in the proper position.
- 9) Remove odors from your oven by combining a cup of water with the juice and skin of one lemon in a deep bowl, microwave for 5 minutes. Wipe thoroughly and dry with a soft cloth.
- 10) When it becomes necessary to replace the oven light, please consult a dealer to have it replaced.
- 11) When cleaning surfaces of door and oven that comes together on closing the door, use only mild, non abrasive soaps or detergents applied with a sponge or soft cloth.

BIENVENUE

Bienvenue dans la famille de produits Danby. Nous sommes fiers de nos produits de qualité et nous croyons en un service fiable. Vous le constaterez à ce guide pratique et su ton amical de notre personnel du service à la clientèle

Tél.: 1-800-26-Danby® (1-800-263-2629)

Mieux encoure, vous constaterez la qualité de nos produits et leur fiabilité à chaque utilisation de votre four à micro-ondes. C'est important: votre nouveau four à micro-ondes fera longtemps partie de votre famille.

AVANT D'UTILISER VOTRE FOUR À MICRO-ONDES

Inscrivez les numéros de modèle et de série ici. Ils se trouvent sur une étiquette a l'arrière du four à micro-ondes.

Numéro de Modèle _____

Numéro de série _____

Date d'achat _____

Brochez votre coupon de caisse à l'endos de ce guide. Il sera nécessaire pour votre garantie.

BESOIN D'AIDE?

Avant de téléphonez pour une réparation, voici quelques petites choses que vous pouvez faire afin que nous puissions mieux vous servir...

Lisez ce guide: Il contient des instructions qui vous aideront à utiliser et entretenir correctement votre four à micro-ondes.

Si vous avez reçu un four à micro-ondes endommagé: Contactez immédiatement le détaillant (ou le fabricant) qui vous a vendu le four à micro-ondes.

Économisez temps et argent: Consultez la section « Dépannage » avant de téléphoner. Cette section vous aidera à résoudre les problèmes courants éventuels. Si vous avez besoin de notre aide, vous pouvez être assuré que nous serons au bout du fil.

Tél.: 1-800-26-Danby® (1-800-263-2629)

INFORMATION DE SÉCURITÉ IMPORTANTES

LISEZ TOUTES LES CONSIGNES DE SÉCURITÉ AVANT L'UTILISATION

PRÉCAUTIONS À PRENDRE AFIN D'ÉVITER UNE EXPOSITION EXCESSIVE À L'ÉNERGIE MICRO-ONDE

Afin d'assurer votre sécurité, les consignes de ce guide doivent être suivies afin de réduire les risques d'incendie ou d'explosion, de dommages à la propriété, de blessure ou de décès.

Ne faites pas fonctionner ce four la porte ouverte : un tel fonctionnement peut entraîner une exposition dangereuse à l'énergie micro-onde. Il est important de ne pas contourner ou altérer le verrouillage de sécurité.

Ne déposez pas d'objet entre la face du four et la porte. Ne laissez pas la saleté ou les résidus de produits nettoyants s'accumuler sur les surfaces d'étanchéité.

Ne faites pas fonctionner le four s'il est endommagé. Il est très important que la porte du four se ferme bien et que les éléments suivants ne soient pas endommagés :

- 1 porte (courbée);
- 2 charnières et loquets (brisés ou lâches);
- 3 surface d'étanchéité et porte étanche.

Le four doit être réglé ou réparé par un technicien qualifié.

DÉCLARATION QUANT AUX INTERFÉRENCES DE FRÉQUENCE RADIO DE LA COMMISSION FÉDÉRALE DES COMMUNICATIONS (É.-U. SEULEMENT)

Cet équipement génère et utilise des fréquences sur bande ISM. S'il n'est pas installé et utilisé correctement, c'est-à-dire selon les directives du fabricant, ces fréquences peuvent entraîner des interférences dans les réceptions radiophoniques et télévisuelles. Cet équipement a été mis à l'essai et déclaré conforme aux limitations de l'équipement ISM énoncées à l'article 18 de la réglementation de la Commission, dont le but est d'offrir une protection raisonnable contre de telles interférences dans les installations résidentielles.

Il n'existe cependant aucune garantie que des interférences ne surviendront pas dans des installations particulières. Si cet équipement entraîne des interférences dans les réceptions radiophonique et télévisuelle, ce qui peut être déterminé en allumant et en éteignant l'équipement, l'utilisateur devrait tenter de corriger l'interférence en posant un ou plusieurs des gestes suivants :

- réorienter l'antenne réceptrice de la radio ou de la télévision;
- déplacer le four à micro-ondes par rapport au récepteur;
- éloigner le four à micro-ondes du récepteur;
- brancher le four à micro-ondes dans une prise différente afin qu'il ne se trouve pas sur le même circuit que le récepteur.

Le fabricant n'est pas responsable des interférences radiophoniques ou télévisuelles causées par une **MODIFICATION NON AUTORISÉE** à ce four à micro-ondes. L'utilisateur est responsable de la correction de telles interférences.

CONSERVEZ CES INSTRUCTIONS!

CONSIGNES DE SÉCURITÉ IMPORTANTES

AVERTISSEMENT

Afin de réduire le risque d'incendie, brûlure, choc électrique, blessure ou exposition excessive à l'énergie micro-onde pendant l'utilisation de votre appareil, prenez des précautions de base, incluant celles énoncées dans les sections qui suivent.

CONSIGNES DE SÉCURITÉ

- Lisez et respectez les «Précautions à prendre afin d'éviter une exposition excessive à l'énergie micro-onde», à la page 14.
 - Cet appareil doit être mis à la terre. Ne le branchez que sur une prise correctement mise à la terre. Consultez la section « Directives de mise à la terre », à la page 17.
 - N'utilisez pas cet appareil si son cordon ou sa fiche d'alimentation sont endommagés, s'il ne fonctionne pas correctement ou s'il a été échappé ou endommagé.
 - Ne couvrez ni ne bloquez aucune ouverture de l'appareil.
 - Utilisez cet appareil à ce pour quoi il a été conçu, tel que décrit dans ce guide. N'utilisez pas de vapeurs ou de produits chimiques corrosifs dans cet appareil.
 - Ce four à micro-ondes est spécialement conçu pour chauffer, sécher ou cuire des aliments. Il n'est pas conçu pour une utilisation industrielle ou en laboratoire.
 - Certains produits tels les œufs entiers et les contenants hermétiques tels les pots de verre fermés peuvent exploser et ne devraient pas être chauffés dans ce four.
 - Ne rangez pas cet appareil à l'extérieur.
 - N'utilisez pas ce produit près d'une source d'eau, tel un sous-sol humide, une piscine ou un évier.
 - Éloignez le cordon d'alimentation de toute surface chauffée.
 - N'immergez pas le cordon d'alimentation ou la fiche.
 - Consultez les directives de nettoyage de la surface de la porte aux sections «Entretien et nettoyage » de ce guide.
 - Toute réparation doit être effectuée par un personnel qualifié seulement. Contactez le centre de service autorisé le plus près pour vérification, réparation ou réglage.
 - Comme c'est le cas de tout appareil, une surveillance étroite est nécessaire lors de l'utilisation par des enfants.
- Pour réduire le risque d'incendie dans l'enceinte du four :**
- Ne cuisez pas trop les aliments.
 - Surveillez étroitement l'appareil pendant la cuisson si du papier, plastique ou autre matériau combustible sont placés dans le four.
 - Retirez les attaches et les poignées métalliques des contenants de plastique avant de les placer dans le four.
 - N'utilisez pas le four comme espace de rangement. Ne laissez pas de papier, ustensiles ou aliments dans le four lorsqu'il n'est pas utilisé.
 - N'utilisez pas le four pour sécher les journaux.
 - Si des matériaux devaient s'enflammer dans le four, laissez la porte du four fermée, éteignez le four et débranchez l'alimentation au niveau de la fusible ou du disjoncteur. Le feu risque de se propager si la porte est ouverte.

CONSIGNES DE SÉCURITÉ IMPORTANTES

REMARQUES PARTICULIÈRES CONCERNANT LA CUISSON MICRO-ONDE

FORMATION D'ÉTINCELLES

Si vous voyez des étincelles, appuyez sur le bouton **MARCHE/ARRÊT** et corrigez le problème.

« Arcing » est le terme des micro-ondes pour décrire la formation d'étincelles dans le four. La formation d'étincelle est causée par :

- Du métal ou du papier d'aluminium en contact avec la paroi du four;
- Du papier d'aluminium non moulé autour des aliments (les arêtes pointant vers le haut agissent comme des antennes);
- Du métal, tel des attaches métalliques, des broches de volaille ou de la vaisselle cordonnée d'or dans le four à micro-ondes;
- Essuie-tout recyclé contenant de petits morceaux de métal dans le four à micro-ondes.

ALIMENTS

- Le maïs soufflé ne doit être cuit dans votre four à micro-ondes qu'à l'aide d'un accessoire de cuisson spécialement conçu à cet effet, à moins que vous n'utilisiez du maïs soufflé identifié pour l'utilisation au four à micro-ondes.
- Certains produits, tels les œufs entiers (dans leur coquille), les contenants hermétiques et les pots de verre fermés, peuvent exploser et ne devraient pas être chauffés dans ce four à micro-ondes.
- Ne faites pas bouillir des œufs au four à micro-ondes. La pression s'accumulera dans le jaune d'œuf et le fera exploser, entraînant potentiellement des blessures.
- Faire fonctionner le four à micro-ondes sans aliment à l'intérieur causer un incendie. La chaleur autour du magnétron augmente et peut réduire la durée de vie du four.
- Les aliments dotés d'une «peau» fermée tels les pommes de terre, saucisses, tomates, pommes, foie de poulet ou autres abattis et les jaunes d'œuf doivent être piqués avant la cuisson afin de permettre que la vapeur s'en échappe.

DONNÉES DE SÉCURITÉ: EAU SURCHAUFFÉE

L'eau et les autres liquides ne font pas toujours de bulles lorsqu'ils atteignent le point d'ébullition au four à micro-ondes. Ils peuvent en fait surchauffer sans faire une seule bulle. Le liquide surchauffé peut faire des bulles lorsqu'il est déplacé ou que quelque chose y est déposé, telle une cuiller ou un sachet de thé. Afin d'éviter cette situation pouvant entraîner des blessures, ne chauffez aucun liquide pendant plus de 2 minutes par tasse. Une fois le liquide chauffé, laissez reposer la tasse pendant 30 secondes dans le four à micro-ondes avant de la déplacer ou d'y déposer quoi que ce soit.

- Évitez de chauffer de la nourriture pour bébé dans des pots de verre, même sans le couvercle. Assurez-vous que la nourriture pour bébé est entièrement cuite.

Mélangez les aliments afin de répartir la chaleur également. Prenez soin de ne pas vous ébouillanter lorsque vous chauffez du lait maternisé. Le contenant peut sembler plus froid que le lait ne l'est en réalité. **Vérifiez toujours la température du lait avant de nourrir le bébé.**

- Ébullition spontanée – Dans certains cas, un liquide peut commencer à bouillir pendant qu'on le retire du four à micro-ondes ou immédiatement après. Afin d'éviter les blessures causées par un éclaboussement, nous vous recommandons de laisser le contenant reposer entre 30 et 40 secondes dans le four éteint avant de l'en retirer. Ne faites pas bouillir de liquide dans des contenants à col mince tels les bouteilles de boissons gazeuses, les flacons de vinet surtout les tasses à café étroites. Même si le contenant est ouvert, de la vapeur peut s'accumuler en excès et entraîner une explosion ou un débordement.
- Ne faites pas décongeler de boissons surgelées dans des bouteilles étroites (surtout les boissons gazeuses). Même si le contenant est ouvert, de la pression peut s'accumuler. Le contenant pourrait exploser, entraînant des blessures.
- La vapeur et les aliments chauds peuvent entraîner des brûlures. Soyez prudent lorsque vous ouvrez des contenants d'aliments chauds, y compris les sacs de maïs soufflé, les pochettes de cuisson et les boîtes. Afin d'éviter les blessures, dirigez la vapeur loin des mains et du visage.
- Ne cuisez pas trop les pommes de terre. Elles pourraient se déshydrater et s'enflammer, endommageant votre four.
- Cuisez entièrement la viande et la volaille : la viande doit avoir une température INTERNE d'au moins 71,1°C (160°F) et la volaille 82,2°C (180°F). La cuisson à ces températures prévient habituellement les maladies alimentaires.

CONSIGNES DE SÉCURITÉ IMPORTANTES

REMARQUES PARTICULIÈRES CONCERNANT LA CUISSON MICRO-ONDE

USTENSILES DE CUISSON POUR MICRO-ONDES

Assurez-vous que tous les ustensiles utilisés dans votre four à micro-ondes conviennent à ce type de cuisson. La plupart des casseroles de verre, plats de cuisson, tasses à mesurer, ramequins, poteries ou porcelaines sans bordure métallique ou enduit métallique peuvent être utilisés. Certains ustensiles de cuisson sont identifiés «sûr pour la cuisson aux micro-ondes».

- Si vous utilisez un thermomètre à viande durant la cuisson, assurez-vous qu'il convient aux fours au micro-ondes.
- N'utilisez pas de produits de papier recyclé. Les essuie-tout, serviettes de table et papier ciré recyclés peuvent contenir des particules métalliques pouvant causer la formation d'étincelles ou de flammes. Les produits de papier contenant du nylon ou des fils de nylon devraient être évités: eux aussi peuvent s'enflammer.
- Tous les emballages de plastique ne conviennent pas aux fours à micro-ondes. Vérifiez l'emballage pour une utilisation adéquate.
- Le fond de certains plateaux de polystyrène, tels les emballages de viande, comporte une fine couche de métal. Lorsque cuit aux micro-ondes, le métal peut brûler le plancher du four ou enflammer un essuie-tout.
- La chaleur des aliments chauffés peut se transférer sur l'ustensile de cuisson. Vous aurez peut-être besoin de poignées pour manipuler l'ustensile.
- Les pochettes de cuisson «à bouillir» et les sacs de plastique hermétiquement fermés devraient être fendus, percés ou aérés, tel qu'indiqué sur leur emballage. Sans quoi, le plastique pourrait exploser pendant la cuisson ou immédiatement après, entraînant des blessures. En outre, les plats de rangement de plastique devraient être partiellement découverts afin d'éviter qu'ils ne forment une fermeture hermétique. Lors de la cuisson de contenants couverts hermétiquement à l'aide de pellicule plastique, soyez prudent en retirant la pellicule et dirigez la vapeur loin des mains et du visage.

- Les essuie-tout, le papier ciré et la pellicule plastique peuvent être utilisés pour couvrir les plats afin de retenir l'humidité et d'empêcher les éclaboussures. Assurez-vous d'aérer la pellicule plastique afin que la vapeur puisse s'échapper.

Comment déterminer si un plat convient au micro-ondes :

- 1) Placez le plat à vérifier et une tasse à mesurer de verre remplie d'une tasse d'eau dans le four.
 - 2) Placez la tasse à mesurer dans le plat ou à côté.
 - 3) Faites cuire aux micro-ondes pendant une minute à puissance élevée. Si le plat chauffe, il ne devrait pas être utilisé pour la cuisson aux micro-ondes. Si le plat demeure froid et que seule l'eau dans la tasse chauffe, le plat convient aux micro-ondes.
- N'utilisez le papier d'aluminium que de la façon décrite dans ce guide. Les plateaux téle peuvent être cuits au micro-ondes dans des plateaux d'aluminium de moins de 3/4 po. Retirez le couvercle supérieur et remettez le plateau dans la boîte. Lorsque vous utilisez du papier d'aluminium dans le four à micro-ondes, gardez une distance d'au moins 1 pouce entre le papier et les parois du four.
 - Les ustensiles de cuisson de plastique conçus pour les micro-ondes sont très pratiques, mais doivent être utilisés avec prudence. Même les plastiques conçus pour les micro-ondes peuvent ne pas résister à la surcuisson aussi bien que le verre ou la céramique : ils peuvent ramollir ou carboniser lorsque soumis à de courtes périodes de surcuisson. Les aliments et l'ustensile peuvent même s'enflammer sur une longue période de surcuisson.

Suivez les lignes directrices suivantes:

- 1) Utilisez des ustensiles de plastique conçus pour les micro-ondes seulement et suivez attentivement les recommandations du fabricant.
- 2) **Ne cuisez pas** de contenant vide aux micro-ondes.
- 3) **Ne laissez pas** les enfants utiliser d'ustensile de plastique sans surveillance étroite.

INSTRUCTIONS DE MISE À LA TERRE

AVERTISSEMENT: Une utilisation inadéquate de la prise de mise à la terre peut causer des chocs électriques.

- Cet appareil doit être mis à la terre. Dans le cas d'un court-circuit électrique, la mise à la terre réduit le risque de choc électrique en offrant une sortie au courant électrique.
- Cet appareil est doté d'un cordon d'alimentation avec fiche bipolaire avec terre. La fiche doit être branchée dans une prise correctement installée et mise à la terre. Consultez un électricien qualifié ou un technicien d'entretien si les directives de mise à la terre ne sont pas entièrement comprises, ou si un doute subsiste quant à la mise à la terre appropriée de l'appareil.
- Si la prise est une prise standard à deux fiches, il est de votre responsabilité et devoir de la faire remplacer par une prise à trois fentes avec terre.
- Ne coupez pas et ne retirez pas la troisième lame (mise à la terre) du cordon d'alimentation, peu importe les circonstances. N'utilisez pas d'adaptateur de fiche avec cet appareil.
- N'utilisez pas de rallonge avec cet appareil. Si le cordon d'alimentation est trop court, faites installer une prise près de l'appareil par un électricien qualifié ou un technicien d'entretien. Pour un meilleur fonctionnement, branchez cet appareil dans une prise à lui seul afin d'éviter le scintillement des lumières, le grillage d'un fusible ou un arrêt du disjoncteur.

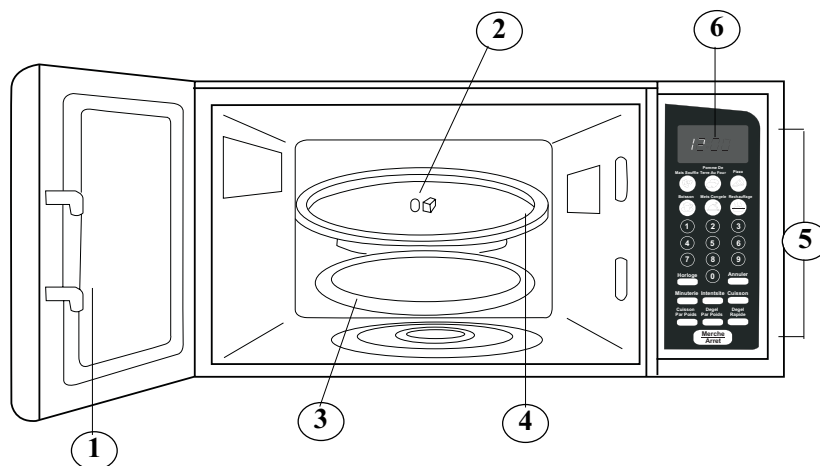
GUIDE D'INSTALLATION

- 1) S'assurer que tous matériels emballant sont enlevés de l'intérieur du four de micro-onde.
- 2) Vérifier la micro-onde pour n'importe quels dommages, comme la porte courbée, endommagé les cachets de porte et sceller la surface, les gonds de porte cassée ou détachées et les loquets, et cabosse à l'intérieur ou sur la porte. S'il y a n'importe quels dommages, ne pas fonctionner le four mais contactez un personnel de service qualifié.
- 3) Ce four de micro-onde doit être placé sur une surface plate et stable pour tenir son poids.
- 4) Ne pas placer le four de micro-onde où la chaleur, l'humidité, ou l'haute humidité est produit, ou près des matériels combustibles.
- 5) Pour l'opération correcte, le four de micro-onde doit avoir du flux d'air suffisant. Permettre 20 cm d'espace au-dessus du four de micro-onde, 10 cm à de retour et 5 cm aux deux côtés. Ne pas couvrir ou bloquer des ouvertures sur l'appareil. Ne pas enlever les pieds sur lesquels le four de micro-onde se tient.
- 6) Ne pas fonctionner le four sans le plateau de verre, le soutien de cylindre, et les arbres dans leurs positions correctes.
- 7) S'assurer que la corde d'alimentation est intacte et ne court pas sous le four de micro-onde ou sur les surfaces chaudes ou tranchantes.
- 8) La douille doit être facilement accessible pour qu'il peut être facilement débranché dans une urgence.

FONCTIONNEMENT

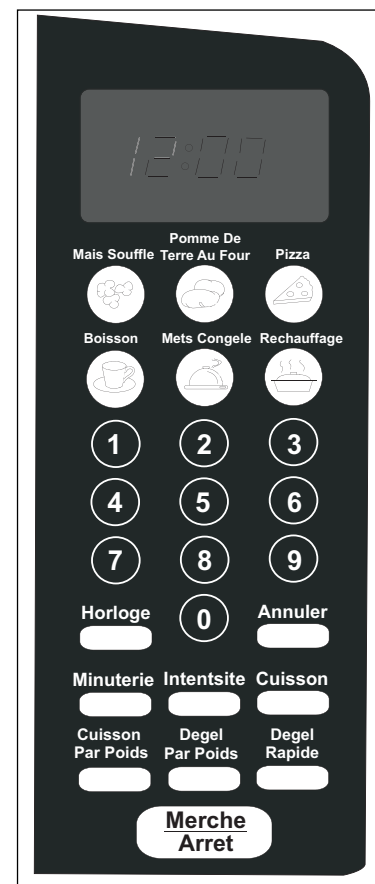
CARACTÉRISTIQUES DE VOTRE FOUR À MICRO-ONDES

- 1) **Vitre du four:** Elle permet de voir la cuisson tout en conservant l'énergie confinée à l'intérieur du four.
- 2) **Axe du plateau tournant.**
- 3) **Anneau de roulement.**
- 4) **Plateau tournant en verre amovible:** Le plateau tournant et le support doivent être mis en place lorsque vous utilisez le four. Le plateau tournant peut être retiré pour le nettoyage.
- 5) **Panneau de commande.**
- 6) **Affichage électronique.**



COMMANDES

- **ÉCRAN DU MENU:** La durée de cuisson, la puissance, les indicateurs et l'heure courante sont affichés.
- **TOUCHES DE CUISSON RAPIDE:** Réglages permettant de cuire instantanément des aliments populaires.
- **NIVEAU DE PUISSANCE:** Utilisé pour régler la puissance à un niveau autre qu'élevé.
- **MINUTERIE:** La minuterie fonctionne de façon indépendante, même pendant un programme de cuisson.
- **CUISSON:** Sert à la cuisson en plusieurs étapes. Permet de régler automatiquement la cuisson à différents niveaux de puissance et pendant différentes durées.
- **CUISSON SELON LE POIDS:** Cuisson programmée en fonction du poids des aliments que l'on fait cuire.
- **DÉCONGÉLATION SELON LE POIDS:** Décongélation programmée en fonction des aliments que l'on décongèle.
- **DÉCONGÉLATION RAPIDE:** Fonction de décongélation rapide qui alterne entre la décongélation et le repos pour décongeler les aliments de façon rapide et efficace.
- **TOUCHES NUMÉRIQUES (0-9):** Appuyez sur ces touches pour régler la durée ou la quantité.
- **HORLOGE:** Permet de régler l'heure courante.
- **RÉINITIALISATION:** Supprime tous les réglages antérieurs.
- **MARCHE/ARRÊT:** Appuyez sur la touche pour démarrer ou arrêter la cuisson.



FONCTIONNEMENT

RÉGLAGE DE L'HORLOGE

L'horloge de votre four à micro-ondes est paramétrée sur 12 heures.

- 1) Appuyez sur la touche « **HORLOGE** ».
- 2) Appuyez sur les chiffres pour saisir l'heure courante. Par exemple, pour configurer 12 h 10, appuyez sur « 1, 2, 1, 0 » consécutivement.
- 3) Appuyez sur « **HORLOGE** » pour terminer le réglage de l'horloge.

REMARQUES :

- Lorsque le four à micro-ondes est branché pour la première fois ou lorsque l'alimentation en électricité revient après une panne de courant, l'afficheur indique **ENTER CLOCK TIME**. Si vous préférez que l'horloge ne soit pas affichée, appuyez sur la touche **REINITIALISATION**.
- Vous pouvez consulter l'horloge pendant un programme de cuisson en appuyant sur la touche **HORLOGE**.

RÉGLAGE DE LA MINUTERIE

- 1) Appuyez sur la touche « **MINUTERIE** ».
- 2) Appuyez sur les chiffres pour saisir la durée de minuterie (la durée maximale de cuisson est de 99 minutes et 99 secondes).
- 3) Appuyez sur la touche « **MARCHE/ARRÊT** » pour confirmer le paramétrage.

REMARQUES :

- Le compte à rebours de la minuterie est visible sur l'afficheur avant que celui-ci ne retourne à l'affichage de l'horloge ou de la durée de cuisson.
- Appuyez sur **MINUTERIE**, puis sur **REINITIALISATION** pour annuler la minuterie au cours de l'opération.

CUISSON AU FOUR À MICRO-ONDES

RÉGLAGE D'UN PROGRAMME DE CUISSON :

A) Cuisson en une étape :

- 1) Servez-vous du bloc de touches numériques pour régler la durée de cuisson. Vous pouvez régler la durée de cuisson entre une seconde et 99 minutes et 99 secondes.
- 2) Si vous souhaitez que la puissance soit autre que 100 %, appuyez sur la touche **NIVEAU DE PUISSANCE**, puis utilisez les touches numériques pour saisir le niveau de puissance souhaité.
- 3) Appuyez sur la touche **MARCHE/ARRÊT** pour commencer la cuisson.

B) Cuisson en deux étapes :

- 1) **Réglez l'ÉTAPE 1** : suivez les étapes 1 et 2 de la rubrique « **Cuisson en une étape** ». **N'APPUYEZ PAS** sur la touche **MARCHE/ARRÊT**.
- 2) **Réglez l'ÉTAPE 2** : appuyez sur la touche **CUISSON**, puis saisissez la durée de cuisson et la puissance souhaitées. La plupart des recettes de cuisson en deux étapes utilisent un niveau de puissance plus faible pour la deuxième étape.
- 3) Appuyez sur la touche **MARCHE/ARRÊT**.

REMARQUE : après l'écoulement de la première durée, la sonnerie se fait entendre et **END** apparaît sur l'afficheur. Appuyez sur n'importe quelle touche numérique ou ouvrez la porte du four à micro-ondes pour réinitialiser **END** avant de lancer une autre fonction de cuisson.

NIVELS DE PUISSANCE:

Numero	% de Puissance
9	90%
8	80%
7	70%
6	60%
5	50%
4	40%
3	30%
2	20%
1	10%

FONCTIONNEMENT

DÉCONGÉLATION RAPIDE

- 1) Appuyez sur la touche **DÉCONGÉLATION RAPIDE**.
- 2) Saisissez la durée de décongélation souhaitée en appuyant sur les touches numériques. La minuterie numérique règle les minutes et les secondes de gauche à droite, ce qui fait qu'il est possible de régler un seul chiffre (5 pour 5 secondes) ou un maximum de 4 chiffres (2, 4, 0, 5 pour 24 minutes et 5 secondes).
- 3) Appuyez sur la touche **MARCHE/ARRÊT**.

REMARQUES :

- La durée de décongélation valide maximale est de 99 minutes et 99 secondes.
- Lorsque la durée s'est écoulée, un signal sonore est émis et **END** apparaît sur l'afficheur. Appuyez sur n'importe quelle touche numérique ou ouvrez la

porte pour réinitialiser **END** avant de lancer une autre fonction de cuisson.

- Après le réglage de la décongélation rapide, le four à micro-ondes peut être programmé pour passer automatiquement à la cuisson en une étape ou en deux étapes.
- Pour la décongélation rapide et la cuisson en une étape, suivez les étapes 1 à 3. Avant d'appuyer sur la touche **MARCHE/ARRÊT**, appuyez sur la touche **CUISSON**, saisissez la durée et la puissance, puis appuyez sur la touche **MARCHE/ARRÊT**.
- Pour la décongélation rapide et la cuisson en deux étapes, suivez les étapes qui se trouvent ci-dessus, mais vous saisissez consécutivement deux durées et deux niveaux de puissance avant d'appuyer sur **MARCHE/ARRÊT**.

CUISSON SELON LE POIDS

- 1) Appuyez sur la touche « **CUISSON SELON LE POIDS** ».
- 2) Indiquez le code à un chiffre en appuyant sur la touche numérique correspondante.
- 3) Saisissez le poids.
- 4) Appuyez sur la touche **MARCHE/ARRÊT**.

REMARQUES :

- La viande doit être décongelée et avoir atteint la température du réfrigérateur.
- Le poids doit être exprimé en livres et en onces. Les poids inférieurs à 10 onces doivent être précédés d'un zéro. Si le poids figurant sur l'étiquette est en livres seulement, convertissez une fraction en onces à l'aide du tableau 2.
- Environ le mi point du programme, le four s'arrêtera et fera deux bips afin de vous permettre de retourner les aliments ou réarrangez. Les morceaux pour une cuisine plus égale. Appuyez sur **DÉPART/DÉPART RAPID** pour poursuivre la cuisson.

TABLEAU 1

CODE	TYPE	POIDS MAX.
1	Bœuf	5 lb 16 onces
2	Mouton	5 lb 16 onces
3	Porc	5 lb 4 oz

TABLEAU 2

FRACTION DE LIVRE	POUCES
moins de 0.3	0
0.4 à 0.9	1
0.10 à 0.15	2
0.16 à 0.21	3
0.22 à 0.27	4
0.28 à 0.34	5
0.35 à 0.40	6
0.41 à 0.46	7
0.47 à 0.53	8
0.54 à 0.59	9
0.60 à 0.65	10
0.66 à 0.71	11
0.72 à 0.78	12
0.79 à 0.84	13
0.85 à 0.90	14
0.91 à 0.97	15

DÉCONGÉLATION SELON LE POIDS

- 1) Appuyez sur la touche **DÉCONGÉLATION SELON LE POIDS**.
- 2) Saisissez le poids.
- 3) Appuyez sur la touche **MARCHE/ARRÊT**.

REMARQUES :

- Le poids doit être exprimé en livres et en onces. Les poids inférieurs à 10 onces doivent être précédés d'un zéro. Si le poids figurant sur l'étiquette est en livres seulement, convertissez une fraction en onces à l'aide du tableau ci-dessus. Le poids maximal est

de 5 livres 16 onces.

- Retournez l'aliment lorsque deux signaux sonores sont émis par le four. Appuyez sur la touche **MARCHE/ARRÊT** pour reprendre la décongélation.
- À la fin de la durée de décongélation, un signal sonore sera émis et **END** apparaîtra sur l'afficheur. Appuyez sur n'importe quelle touche numérique ou ouvrez la porte du four à micro-ondes pour réinitialiser **END** avant de lancer une autre fonction de cuisson.

FONCTIONNEMENT

CUISSONS PRÉPROGRAMMÉES

MAÏS À ÉCLATER :

a) Appuyez sur la touche **MAÏS À ÉCLATER; CODE** et la durée de cuisson apparaissent sur l'écran. La touche **MAÏS À ÉCLATER** règle automatiquement la durée de cuisson pour un sac de maïs à éclater pour four à micro-ondes de 3,5 onces.

b) Appuyez sur la touche **MARCHE/ARRÊT**.

REMARQUE : pour changer la durée prééglée pour le **MAÏS À ÉCLATER** : appuyez à deux reprises sur la touche **MAÏS À ÉCLATER**. **ENTER TIME** apparaît sur l'écran; appuyez sur les touches numériques pour saisir les minutes et les secondes. Appuyez sur la touche **MARCHE/ARRÊT**. Cette nouvelle durée de cuisson sera utilisée chaque fois que vous utiliserez le réglage **MAÏS À ÉCLATER**.

POMMES DE TERRE :

Pour des pommes de terre d'un poids se situant entre 4 et 6 onces :

- 1) Appuyez une fois sur la touche **POMMES DE TERRE**.
- 2) Saisissez le nombre de pommes de terre en appuyant sur les touches numériques 1 à 4.
- 3) Appuyez sur la touche **MARCHE/ARRÊT**.

Pour les grosses pommes de terre, d'un poids de 8 à 10 oz chacune :

- 1) Appuyez à deux reprises sur la touche **POMME DE TERRE**.
- 2) Saisissez le nombre de pommes de terre en appuyant sur les touches numériques 1 à 4.
- 3) Appuyez sur la touche **MARCHE/ARRÊT**.

BOISSON :

pour les tasses de 5 à 7 onces :

- 1) Appuyez une fois sur la touche **BOISSON**.
- 2) Saisissez le nombre de tasses en appuyant sur les touches numériques 1 à 4.
- 3) Appuyez sur la touche **MARCHE/ARRÊT**.

Pour les tasses plus grosses, de 9 à 11 onces :

- 1) Appuyez à deux reprises sur la touche **BOISSON**.
- 2) Saisissez le nombre de tasses en appuyant sur les touches numériques 1 à 4.
- 3) Appuyez sur la touche **MARCHE/ARRÊT**.

REPAS SURGELÉ: pour un ou deux petits repas surgelés (7 à 9 onces chacun) :

- 1) Appuyez une fois sur la touche **REPAS SURGELÉ**.
- 2) Pour un repas, appuyez sur la touche numérique « 1 »; pour 2 repas, appuyez sur la touche « 2 ».
- 3) Appuyez sur la touche **MARCHE/ARRÊT**.

Pour un ou deux repas surgelés plus gros (10 à 12 onces chacun) :

- 1) Appuyez à deux reprises sur la touche **REPAS SURGELÉ**.
- 2) Pour un repas, appuyez sur la touche numérique « 1 »; pour 2 repas, appuyez sur la touche « 2 ».
- 3) Appuyez sur la touche **MARCHE/ARRÊT**.

PIZZA :

Pour réchauffer une pointe de pizza :

- 1) Appuyez une fois sur la touche **PIZZA; CODE** et la durée de cuisson apparaissent.
- 2) Appuyez sur la touche **MARCHE/ARRÊT**.

Pour réchauffer une pizza surgelée entière :

- 1) Appuyez à deux reprises sur la touche **PIZZA ; CODE** et la durée de cuisson apparaissent.
- 2) Appuyez sur la touche **MARCHE/ARRÊT**.

RÉCHAUFFER :

- 1) Appuyez sur la touche **RECHAUFFER; CODE** et la durée de cuisson apparaissent.
- 2) Appuyez sur la touche **MARCHE/ARRÊT**.

CORDE DE PROVISION D'ÉNERGIE

INSTRUCTIONS DE CORDE:

DANGER: Risque de Décharge Électrique.

Toucher certains des composants internes peuvent causer la blessure ou la mort personnelles sérieuses. Ne pas démonter cet appareil.

AVERTISSEMENT: Risque de Décharge Électrique.

La mise à la terre déplacée peut avoir pour résultat de la risque de décharge électrique. Ne pas connecter à un source d'énergie jusqu'à ce que l'appareil est convenablement installé et mise à la terre.

SOINS ET ENTRETIEN

- 1) Éteignez le four et retirez la fiche de courant de la prise murale avant de nettoyer celui-ci.
- 2) Conservez l'intérieur du four propre. Lorsque la nourriture éclabousse ou coule sur les parois du four, essuyez avec un chiffon humide. On peut utiliser un détergent doux si le four est très sale. Évitez d'utiliser un vaporisateur ou tout autre type de nettoyant agressif car ils pourraient tacher, laisser des traces ou ternir la surface de la porte.
- 3) Les surfaces extérieures doivent être nettoyées à l'aide d'un chiffon humide. Pour éviter d'endommager les pièces à l'intérieur du four, ne laissez pas de l'eau pénétrer dans les ouvertures de ventilation.
- 4) Essuyez les deux faces du hublot à l'aide d'un chiffon humide pour éliminer tout liquide déversé ou toute éclaboussure.
- 5) Évitez d'asperger d'eau le panneau de commande. Nettoyez avec un chiffon humide, doux. Lorsque vous nettoyez le panneau de commande, laissez la porte ouverte pour éviter la mise en marche accidentelle du four.
- 6) Lorsque la vapeur s'accumule à l'intérieur de la porte du four ou sur le pourtour extérieur, essuyez celle-ci à l'aide d'un chiffon doux. Ceci peut arriver lorsque le four à micro-ondes fonctionne dans un environnement très humide; ceci est normal.
- 7) Il est à l'occasion nécessaire de retirer le plateau tournant en verre pour le nettoyer. Nettoyez le plateau dans de l'eau tiède et savonneuse ou dans un lave-vaisselle.
- 8) L'anneau qui assure la rotation du plateau et la partie inférieure du four devraient être nettoyés régulièrement afin d'éviter qu'ils fassent trop de bruit. Nettoyez simplement la surface inférieure du four avec un détergent doux. On peut laver l'anneau à l'eau tiède savonneuse ou dans un lave-vaisselle. Veillez à remettre l'anneau à sa place lorsque vous le retirez du four pour le nettoyer.
- 9) Pour éliminer les odeurs de votre four, mélangez une tasse d'eau avec le jus et l'écorce d'un citron dans un bol profond et placez ce bol pendant 5 minutes dans le four. Essuyez-le à fond et séchez à l'aide d'un chiffon doux.
- 10) S'il vous faut remplacer l'ampoule du four, consultez un distributeur qui effectuera la tâche.
- 11) Lorsque vous nettoyez les surfaces de la porte et du four qui sont en contact lorsque vous fermez la porte, utilisez du savon ou du détergent doux, non abrasif et appliquez-le à l'aide d'une éponge ou d'un chiffon doux.

Danby® *Designer*

**Model • Modèle
DMW111KPSSDD**

For service, contact your nearest service depot or call:

**1-800-26-Danby®
(1-800-263-2629)**

to recommend a depot in your area.

Pour le service après-vente, contactez votre centre de service le plus près ou téléphonez au :

**1-800-26-Danby®
(1-800-263-2629)**

afin de connaître l'atelier le plus près de chez vous.

Microwave Oven

The model number can be found on the serial plate located on the back panel of the unit.

All repair parts are available for purchase or special order when you visit your nearest service depot. To request service and/or the location of the service depot nearest you, call the TOLL FREE NUMBER.

When requesting service or ordering parts, always provide the following information:

- **Product Type**
- **Model Number**
- **Part Description**

Four à micro-ondes

Le numéro du modèle se trouve sur la plaque de série, sur le panneau arrière de l'appareil.

Toutes les pièces de réparation sont disponibles à l'achat ou sur commande spéciale lorsque vous visiterez votre atelier de service. Afin de demander une réparation ou de connaître l'atelier de réparation le plus près de chez vous, appelez au NUMÉRO SANS FRAIS.

Afin de demander une réparation ou de commander des pièces, soyez toujours prêt à fournir les renseignements suivants :

- **Type de produit**
- **Numéro de modèle**
- **Description de la pièce**