



24,000 BTU/H WALL MOUNTED HEAT PUMP SYSTEM

SUBMITTAL COVER SHEET

PROJECT NAME _____

LOCATION _____




ARCHITECT _____

ENGINEER _____

CONTRACTOR _____

REFERENCE _____

SUBMITTED BY _____ DATE _____

| Indoor Unit (IDU): DRAW24F1B | Outdoor Unit (ODU): DRA1U24S1B | Wireless Remote Control |
|---|--|---|
|  |  |  |

PRODUCT FEATURES

- Wireless Remote Control with "Follow Me" Technology
- Variable Speed Inverter Compressor
- Auto Restart
- Sleep Mode
- Turbo Mode
- 24-Hour Timer Feature
- Quiet operation
- 46°F Freeze Protection
- Low ambient heating down to -13 °F
- Low ambient cooling down to 5 °F
- Included base pan heater
- Refrigerant leak detection
- Anti-corrosive fin coating

| CAPACITIES | | |
|---------------------------|-------------------------------|-------|
| Cooling Capacity (BTU/hr) | Rated at 95 °F | 24000 |
| | Sensible at 5 °F ³ | 20910 |
| | Minimum | 9200 |
| | Maximum | 25000 |
| Heating Capacity (BTU/hr) | Rated at 47 °F | 26000 |
| | Maximum at 5 °F ⁴ | 17600 |
| | Minimum | 10350 |
| | Maximum | 26410 |

| SYSTEM DATA | |
|------------------------------|--------------------|
| Refrigerant Type | R-410A |
| Refrigerant Charge (oz.) | 82.89 |
| Design Pressure (PSIG) | 550/340 |
| Indoor/ Outdoor Coil Coating | Golden Fin Coating |

| EFFICIENCY DATA | |
|-----------------|------|
| SEER2 | 21.0 |
| EER2 | 13.0 |
| HSPF2 | 8.5 |
| SEER | 21.0 |
| EER | 13.0 |
| HSPF | 10.0 |
| COP at 47 °F | 3.15 |
| COP at 5 °F | 2.04 |





24,000 BTU/H WALL MOUNTED HEAT PUMP SYSTEM

SPECIFICATIONS

| LINE SET REQUIREMENTS | |
|---------------------------------|-----------------|
| Connection Type | Flare |
| Liquid | Ø3/8" (Ø9.52mm) |
| Gas | Ø5/8" (Ø16mm) |
| Pre-Charge Length | 25' |
| Minimum Length | 10' |
| Maximum Length | 164' |
| Maximum Height Differential | 82' |
| Additional Refrigerant (oz./ft) | 0.32 |

| OUTDOOR UNIT | | |
|---|--------------------------|-----------|
| Unit Dimensions | Width | 37 1/4" |
| | Depth | 16 1/8" |
| | Height | 31 7/8" |
| Carton Dimensions | Width | 42 15/16" |
| | Depth | 19 11/16" |
| | Height | 34 13/16" |
| Net Weight | 124.8 lbs. | |
| Gross Weight | 134.9 lbs. | |
| Cooling Operating Temperature | 5 °F - 122 °F | |
| Heating Operating Temperature | -13 °F - 86 °F | |
| Voltage/Phase/Frequency | 208-230V, 1 Phase, 60 Hz | |
| Voltage Range | 187-253V | |
| Recommended Breaker (Amps) | 30 | |
| Minimum Circuit Ampacity (Amps) | 22 | |
| Communication Wire Size | 14*4 AWG Stranded | |
| Rated Current - Cooling (Amps) ¹ | 8.02 | |
| Rated Current - Heating (Amps) ² | 10.35 | |
| Sound Pressure (dB(A)) | 60 | |

| INDOOR UNIT | | |
|------------------------------|---------------|----------|
| Unit Dimensions | Width | 42 5/8" |
| | Depth | 9 3/16" |
| | Height | 13 1/4" |
| Carton Dimensions | Width | 45 1/2" |
| | Depth | 12 3/8" |
| | Height | 16 5/16" |
| Net Weight | 30.0 lbs. | |
| Gross Weight | 39.1 lbs. | |
| Indoor Unit Air Flow (CFM) | Low | 382 |
| | Medium | 459 |
| | High | 601 |
| Moisture Removal (Pints/day) | 131.52 | |
| Drain Port O.D. | Ø5/8" (Ø16mm) | |
| Recommended Breaker (Amps) | 15 | |
| Sound Pressure (dB(A)) | Low | 28 |
| | Medium | 40 |
| | High | 48 |

| COMPRESSOR | |
|------------------|----------------------------------|
| Type | DC Inverter Twin Cylinder Rotary |
| Oil Type | Ester Oil VG74 |
| Oil Charge (oz.) | 21 oz.(620 ml) |

¹ Measured at 95 °F.

² Measured at 47 °F.

³ Sensible Capacity: Indoor 80 °F DB, 67 °F WB // Outdoor 5 °F DB, 4 °F WB

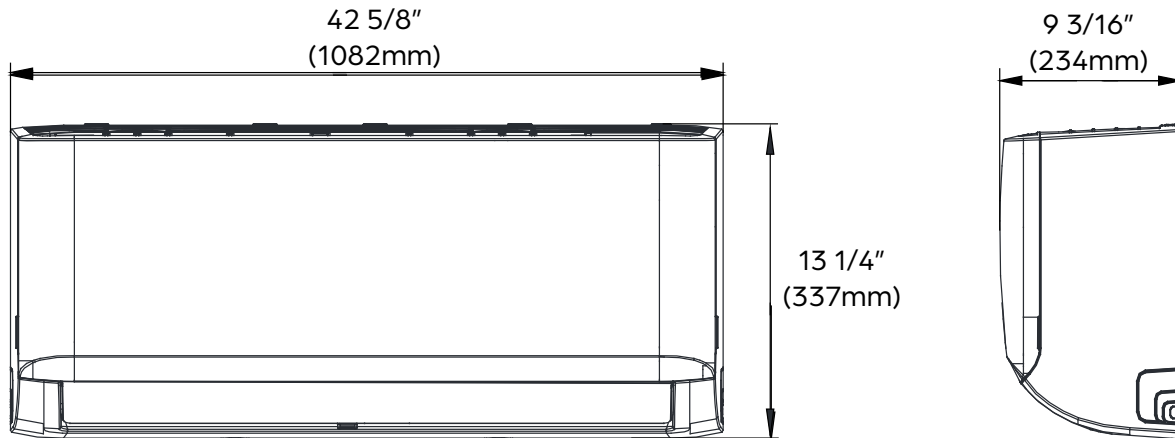
⁴ Maximum Capacity: Indoor 70 °F DB, 67 °F WB // Outdoor 5 °F DB, 4 °F WB



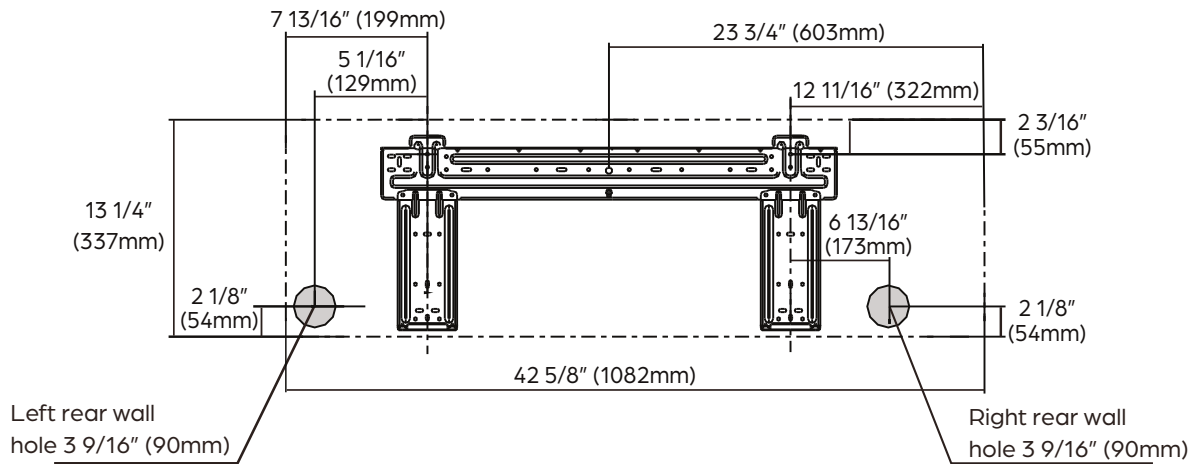
24,000 BTU/H WALL MOUNTED HEAT PUMP SYSTEM

IDU DIMENSIONS - DRAW24F1B

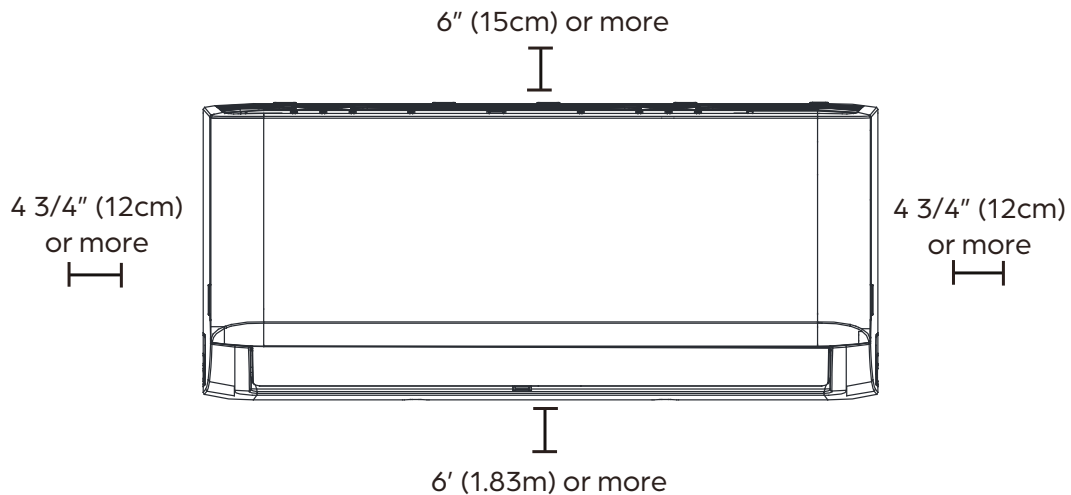
Unit Dimensions



Mounting Plate Dimensions



Clearance Distances

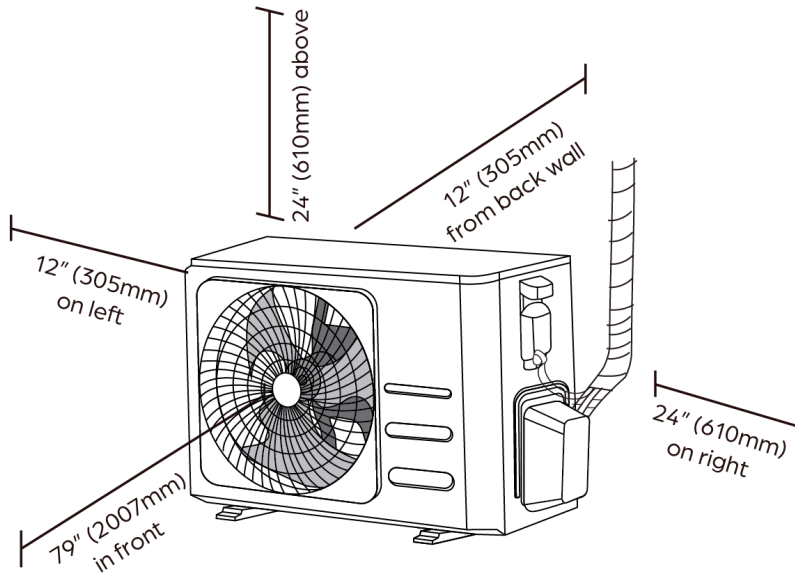




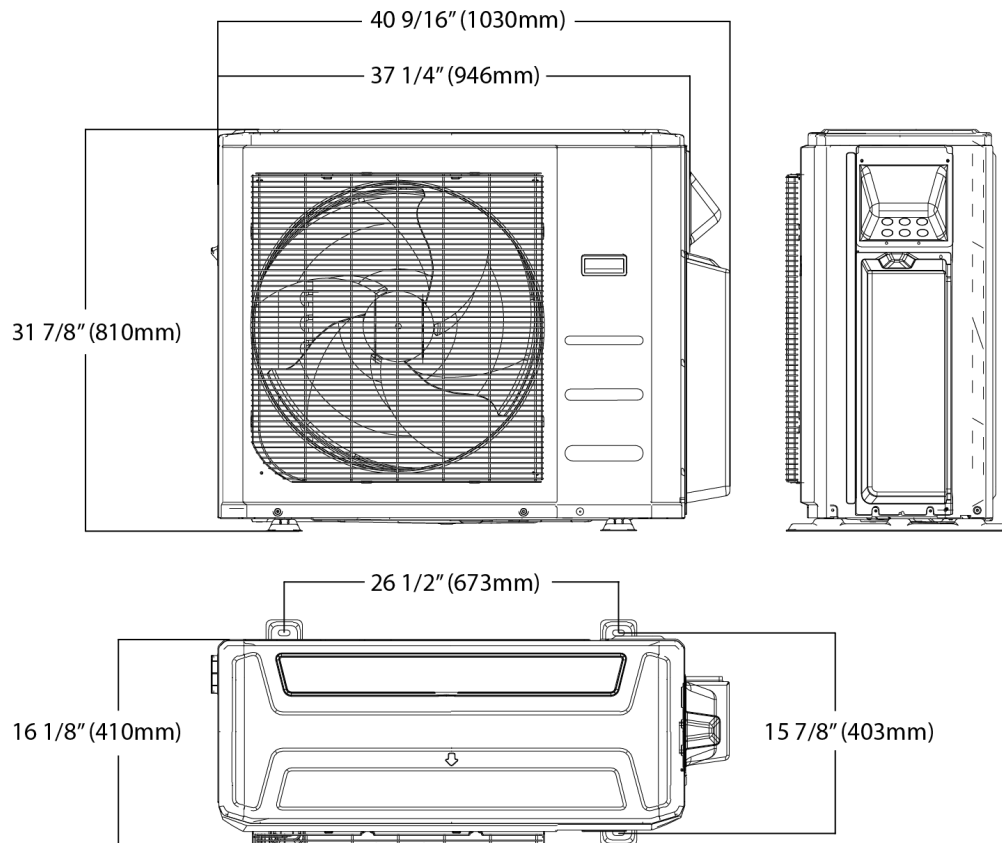
24,000 BTU/H WALL MOUNTED HEAT PUMP SYSTEM

ODU DIMENSIONS - DRA1U24S1B

Clearances



Dimensions



NOTE

Illustrations in this document are for explanatory purposes. The actual shape of your mini-split equipment may vary slightly.