



# 9,000 BTU/H WALL MOUNTED IDU

SUBMITTAL COVER SHEET

PROJECT NAME \_\_\_\_\_

LOCATION \_\_\_\_\_

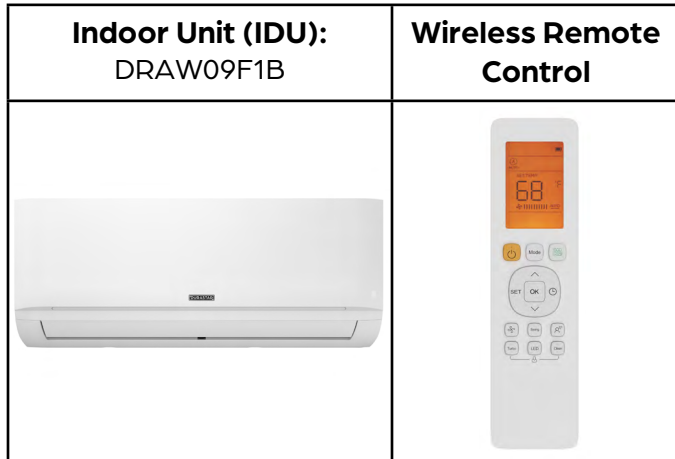
ARCHITECT \_\_\_\_\_

ENGINEER \_\_\_\_\_

CONTRACTOR \_\_\_\_\_

REFERENCE \_\_\_\_\_

SUBMITTED BY \_\_\_\_\_ DATE \_\_\_\_\_



### PRODUCT FEATURES

- Wireless Remote Control with "Follow Me" Technology
- Single or Multizone compatible
- High efficiency SEER rating, up to 24
- Sleep Mode
- Turbo Mode
- 24-Hour Timer Feature
- Anti-corrosive fin coating

| SPECIFICATIONS               |                          |      |
|------------------------------|--------------------------|------|
| Cooling Capacity (BTU/hr)    | 9000                     |      |
| Heating Capacity (BTU/hr)    | 10000                    |      |
| Voltage/Phase/Frequency      | 208-230V, 1 Phase, 60 Hz |      |
| Voltage Range                | 187-253V                 |      |
| Indoor Unit Air Flow (CFM)   | Low                      | 153  |
|                              | Medium                   | 194  |
|                              | High                     | 291  |
| Moisture Removal (Pints/day) | 37.20                    |      |
| Drain Port O.D.              | Ø5/8" (Ø16mm)            |      |
| Recommended Breaker (Amps)   | 15                       |      |
| Sound Pressure (dB(A))       | Low                      | 23.5 |
|                              | Medium                   | 35   |
|                              | High                     | 40   |
| Refrigerant                  | R410A                    |      |

| LINE SET REQUIREMENTS |                 |
|-----------------------|-----------------|
| Connection Type       | Flare           |
| Liquid                | Ø1/4" (Ø6.35mm) |
| Gas                   | Ø3/8" (Ø9.52mm) |

| DIMENSIONS AND WEIGHT |           |           |
|-----------------------|-----------|-----------|
| Unit Dimensions       | Width     | 31 9/16"  |
|                       | Depth     | 7 7/8"    |
|                       | Height    | 11 5/8"   |
| Carton Dimensions     | Width     | 34 7/16"  |
|                       | Depth     | 11 1/4"   |
|                       | Height    | 14 15/16" |
| Net Weight            | 19 lbs.   |           |
| Gross Weight          | 24.3 lbs. |           |

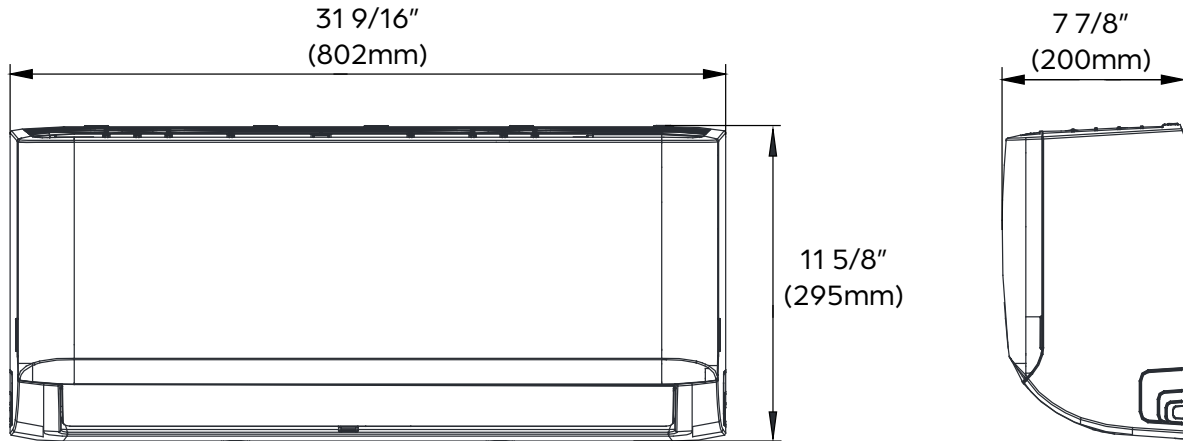




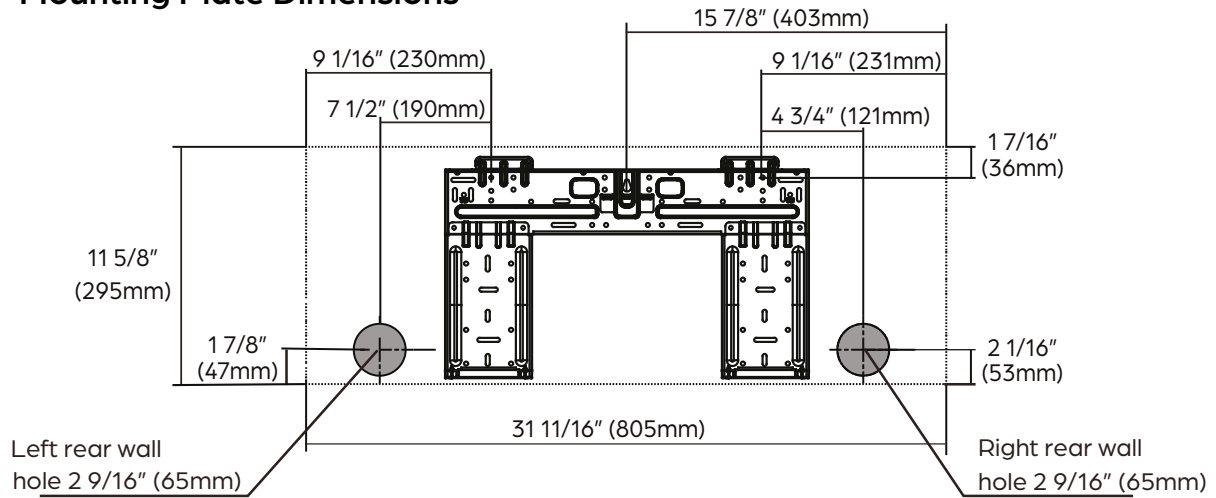
# 9,000 BTU/H WALL MOUNTED IDU

IDU DIMENSIONS - DRAW09F1B

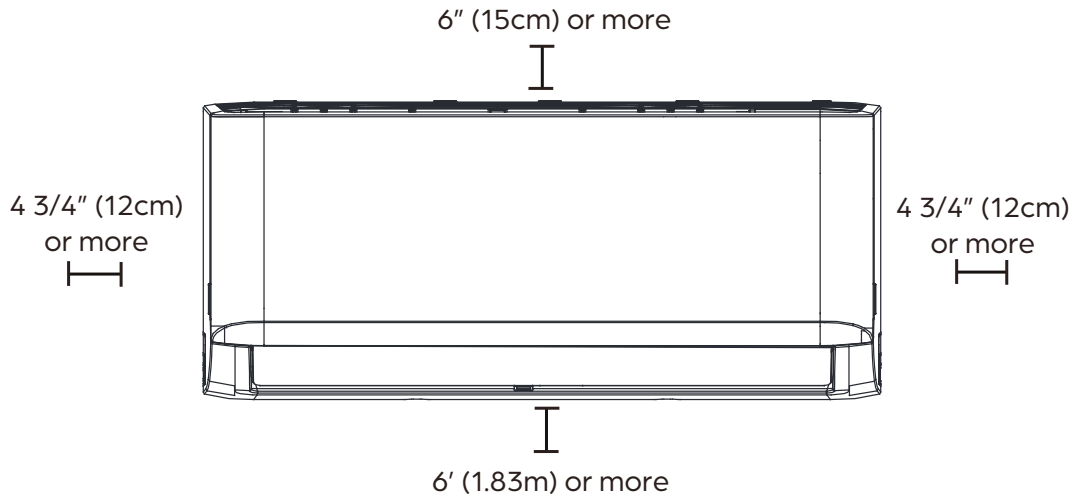
## Unit Dimensions



## Mounting Plate Dimensions



## Clearance Distances





**SIRIUS HEAT™**

# 36,000 BTU/H SIRIUS HEAT MULTI-ZONE HEAT PUMP

SUBMITTAL COVER SHEET

PROJECT NAME \_\_\_\_\_

LOCATION \_\_\_\_\_

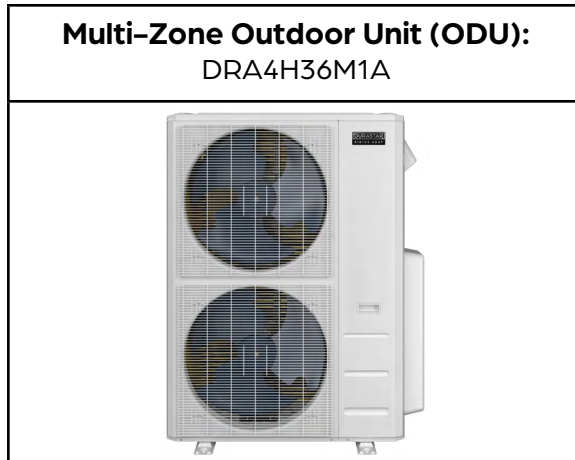
ARCHITECT \_\_\_\_\_

ENGINEER \_\_\_\_\_

CONTRACTOR \_\_\_\_\_

REFERENCE \_\_\_\_\_

SUBMITTED BY \_\_\_\_\_ DATE \_\_\_\_\_



### PRODUCT FEATURES

- High heating capacity at 0°F
- Variable speed inverter compressor
- Low ambient heating down to -22°F
- Low ambient cooling down to 5°F
- Quiet operation
- Included base pan heater
- Auto restart
- Anti-corrosive coil coating
- Port adaptors included

| SYSTEM DATA              |                    |
|--------------------------|--------------------|
| Refrigerant Type         | R-410A             |
| Refrigerant Charge (oz.) | 162                |
| Design Pressure (PSIG)   | 550/340            |
| Outdoor Coil Coating     | Golden Fin Coating |

| CAPACITIES                        |                     | DUCTLESS           | MIXED | DUCTED |
|-----------------------------------|---------------------|--------------------|-------|--------|
| Cooling<br>(BTU/hr)               | Rated <sup>1</sup>  | 36000              | 36000 | 36000  |
|                                   | at 5°F <sup>3</sup> | 29900              | 29550 | 29200  |
|                                   | Minimum             | 15600              | 16500 | 17400  |
|                                   | Maximum             | 41900              | 42950 | 44000  |
|                                   | Heating<br>(BTU/hr) | Rated <sup>2</sup> | 36000 | 36500  |
|                                   | at 5°F <sup>4</sup> | 36000              | 34500 | 33000  |
|                                   | Minimum             | 20000              | 13650 | 13300  |
|                                   | Maximum             | 50300              | 48650 | 47000  |
| Nominal ODU Capacity <sup>5</sup> |                     | 36000              |       |        |

| EFFICIENCY DATA | DUCTLESS | MIXED | DUCTED |
|-----------------|----------|-------|--------|
| SEER2           | 20.00    | 19.50 | 19.00  |
| EER2            | 12.50    | 12.10 | 11.70  |
| HSPF2           | 9.70     | 9.85  | 10.00  |
| SEER            | 20.00    | 19.50 | 19.00  |
| EER             | 12.50    | 11.90 | 11.30  |
| HSPF            | 10.80    | 10.90 | 11.00  |
| COP at 47 °F    | 3.52     | 3.63  | 3.74   |
| COP at 5 °F     | 1.90     | 1.80  | 1.70   |



Specifications are subject to change without notice.  
 © 2023 Ferguson Enterprises LLC  
 www.durastar.com



**SIRIUS HEAT™**

# 36,000 BTU/H SIRIUS HEAT MULTI-ZONE HEAT PUMP

SPECIFICATIONS - DRA4H36M1A

| LINE SET REQUIREMENTS                                 |  |
|---|--|
| Connection Type                                       | Flare  |
| Liquid  | 4 x Ø1/4" (Ø6.35mm)  |
| Gas   | 3 x Ø3/8" (Ø9.52mm)<br>1 x Ø1/2" (Ø12.7mm)                                   |
| Refrigeration Adaptors Included                       | 3 x 3/8" -- 1/2"<br>1 x 1/2" -- 3/8"<br>1 x 1/4" -- 3/8"<br>1 x 1/2" -- 5/8" |
| Minimum Indoor Units Connected                        | 2  |
| Pre-Charge Length                                     | 98'  |
| Maximum Length (combined IDUs)                        | 262'   |
| Maximum Length (per IDU)                              | 115'   |
| Minimum Length (per IDU)                              | 10'  |
| Max. Height Differential between IDU and ODU          | 49'  |
| Max. Height Differential between IDUs                 | 33'  |
| Additional Refrigerant for Ø1/4" Liquid Pipe (oz./ft) | 0.161  |
| Additional Refrigerant for Ø3/8" Liquid Pipe (oz./ft) | 0.322  |

| OUTDOOR UNIT DATA             |              |          |
|-------------------------------|--------------|----------|
| Unit Dimensions               | Width        | 37-1/2"  |
|                               | Depth        | 16-5/16" |
|                               | Height       | 52-1/2"  |
| Carton Dimensions             | Width        | 43-1/8"  |
|                               | Depth        | 19-1/2"  |
|                               | Height       | 58-1/4"  |
| Net Weight                    | 223 lbs.     |          |
| Gross Weight                  | 254 lbs.     |          |
| Cooling Operating Temperature | 5°F - 122°F  |          |
| Heating Operating Temperature | -22°F - 75°F |          |
| Airflow (CFM)                 | 4500         |          |
| Sound Pressure (dB(A))        | 62           |          |
| Fan Speed (r/min)             | Low          | 750      |
|                               | Medium       | 800      |
|                               | Medium       | 850      |
|                               | High         | 900      |
| Fan Motor Current Type        | DC           |          |

| ELECTRICAL DATA                             | DUCTLESS                |                          | DUCTED |  |
|---|-------------------------|--------------------------|--------|--|
|   | Voltage/Phase/Frequency | 208-230V, 1 Phase, 60 Hz |        |  |
| Voltage Range                               | 187-253V                |                          |        |  |
| Recommended Breaker (Amps)                  | 60                      |                          |        |  |
| Minimum Circuit Ampacity (Amps)             | 40                      |                          |        |  |
| Communication Wire Size                     | 14*4 AWG Stranded       |                          |        |  |
| Rated Current - Cooling (Amps) <sup>1</sup> | 13.2                    | 14.2                     |        |  |
| Rated Current - Heating (Amps) <sup>2</sup> | 13.7                    | 12.9                     |        |  |

| COMPRESSOR       |                                  |
|------------------|----------------------------------|
| Type             | DC Inverter Twin Cylinder Rotary |
| Oil Type         | VG74                             |
| Oil Charge (oz.) | 47 (1400 mL)                     |

<sup>1</sup> AHRI Rated at 95°F (AFull).

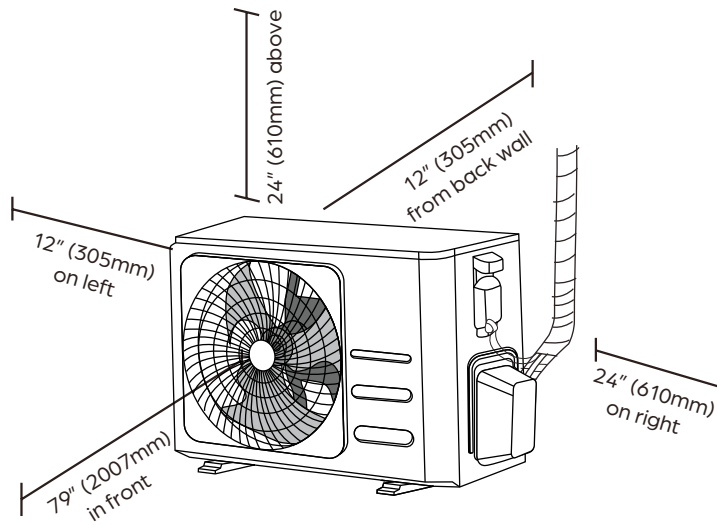
<sup>2</sup> AHRI Rated at 47°F (H1Full).

<sup>3</sup> Sensible Capacity: Indoor 80°F DB, 67°F WB // Outdoor 5°F DB, 4°F WB

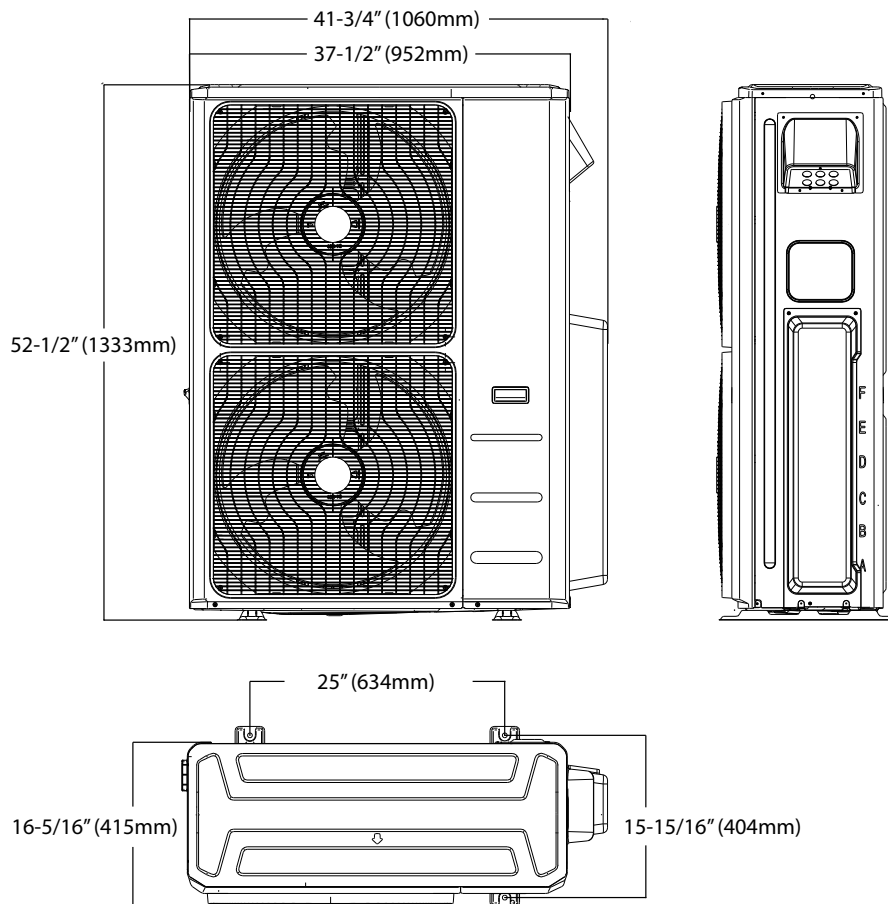
<sup>4</sup> AHRI Rated Capacity at 5°F (H42)

<sup>5</sup> If the total indoor unit load exceeds the nominal capacity of the outdoor unit, the practical output capacity of each indoor unit will be correspondingly reduced. This situation is very evident during heating mode.

**Clearances**



**Dimensions**



**NOTE**

- Illustrations in this document are for explanatory purposes. The actual shape of your mini-split equipment may vary slightly.