

# AREZZO



INSERT  
ASPIRE SERIES

## Dimensions

28 1/2" W x 22" D x 11 1/2" H  
34 1/2" W x 22" D x 11 1/2" H  
40 1/2" W x 22" D x 11 1/2" H  
46 1/2" W x 22" D x 11 1/2" H

## Models

EAR628S2	Arezzo 28" Stainless
EAR134S2	Arezzo 34" Stainless
EAR140S2	Arezzo 40" Stainless
EAR146S2	Arezzo 46" Stainless



halogen lamps



metallic rotating knob controls



stainless steel baffle slot filters



Arezzo provides professional grade performance, while being discreetly mounted inside the cabinetry. Arezzo is available in 28 1/2" width with a 600 CFM blower, and equipped with a 1200 CFM blower for widths of 34 1/2", 40 1/2" and 46 1/2" for extraordinary ventilating power.

The extra depth (22") is ideal for supporting powerful professional ranges. Plus the All-In-One design avoids the need to purchase a stainless liner. Metallic rotating knob controls operate the 4 speed blower and halogen lighting.

Easy maintenance, higher efficiency and a cleaner kitchen are ensured by Elica's patented Baffle Slot Filters, which capture a higher percentage of contaminants and hold larger volumes of grease than traditional baffle filters. Arezzo is designed for standard ducted installation only.

## FEATURES

<b>Size (in) &amp; Type Finish</b>	28", 34", 40" or 46" Wide Insert Stainless Steel
<b>Controls</b>	Metallic Rotating Knob
<b>Illumination</b>	2, 40 Watt Halogen Lamps, 1 Light Intensity (28" & 34") (bulbs included) 4, 40 Watt Halogen Lamps, 1 Light Intensity (40" & 46") (bulbs included)
<b>Installation Type</b>	Ducted Installation Only
<b>Blower Type</b>	600 CFM, 4-Speed Internal (28" Unit) 1200 CFM, 4-Speed Internal (34", 40", 46" Units)
<b>Blower Performance</b>	Speed 1, 90 CFM, 2.1 Sones / 380 CFM, 2.8 Sones Speed 2, 330 CFM, 4.4 Sones / 660 CFM, 6.7 Sones Speed 3, 490 CFM, 7.8 Sones / 950 CFM, 8.5 Sones Speed 4, 600 CFM, 11.9 Sones / 1200 CFM, 14.3 Sones
<b>Filter Type</b>	Dishwasher-Safe, Stainless Steel Baffle Slot (2 w/ 28" Unit, 3 w/ 34" & 40" Units, 4 w/ 46" Unit)
<b>Duct Transition</b>	10" Round with Back Draft Damper (top only)
<b>Electrical</b>	120V-60Hz 550 Watts at 4.6 Amps (600 CFM) 1000 Watts at 8.3 Amps (1200 CFM)
<b>Warranty</b>	2 Year Parts & Labor, In-Home Service

## ACCESSORIES

### Replacement Grease Filter (1)

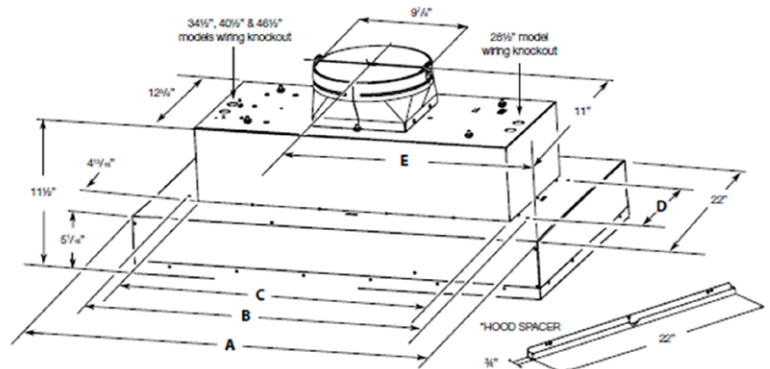
CODE: GF061A

### Replacement Light Bulb (1)

CODE: 2006BH

Consumable parts are sold in units of one (1).  
Order accordingly.

## LINE DRAWING



Range Hood mod.	DIMENSIONS					
	DIM A	DIM A + spacers	DIM B	DIM C mounting holes	DIM D mounting holes	DIM E
EAR628SS	28 1/2"	30"	24 1/2"	22"	11"	14"
EAR134SS	34 1/2"	36"	29 1/2"	27 1/2"	10 1/16"	17"
EAR140SS	40 1/2"	42"	29 1/2"	27 1/2"	10 1/16"	20"
EAR146SS	46 1/2"	48"	29 1/2"	27 1/2"	10 1/16"	23"