



# ARIA

## TECHNE SERIES



LED lighting



Glass touch controls



With a compact 4 ¾" height, Aria is an ideal choice where under-cabinet space is limited. Its upgraded 430 CFM internal blower provides sufficient ventilating power for most kitchens. Aria also offers the luxury and convenience of LED dimmable lighting with 2 Baffle Slot filters and glass touch controls.

Available in 30" or 36" width, Aria is designed for standard ducted installation and can also be used as a recirculating system using the kit available as an accessory.

### Dimensions | Models

30"W x 20"D x 4 ¾"H | EAI430SS  
ARIA 30" Stainless

36"W x 20"D x 4 ¾"H | EAI436SS  
ARIA 36" Stainless



FEATURES

Size (in) & Type	30" or 36" Wide, Under-cabinet
Finish	Stainless Steel with Black Glass
Controls	Touch Control 3S+ Booster
Illumination	2 Premium LED Dimmable Lights
Installation Type	Ducted or Recirculating Installation Recirculating Kit Sold Separately
Blower Type	430 CFM, 4-Speed Internal
Blower Performance	Speed 1, 160 CFM, 1.1 Sones Speed 2, 240 CFM, 2.4 Sones Speed 3, 310 CFM, 3.6 Sones Speed 4, 430 CFM, 4.7 Sones
Filter Type	2 Dishwasher-Safe, Stainless Steel Baffle Slot Filters
Duct Transition	3 1/4" x 10" with Back Draft Damper (top or rear), or 7" Round (top) sold separately
Electrical	120V - 60 Hz, 445 Watts at 3.6 Amps
Warranty	2 Year Parts & Lab, In-Home Services

Accessories



**Optional Recirculating Kit for 30" and 36" Units**  
CODE: KIT02178 / (30")  
CODE: KIT02179 / (36")

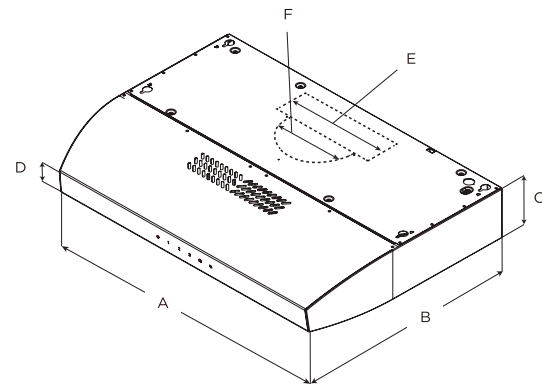


**Optional Stainless Steel Mesh Grease Filter**  
CODE: KIT02591 / MODEL: EBLGFK30 (30")  
CODE: KIT02592 / MODEL: EBLGFK36 (36")



**Optional Backdraft Damper, 7" Round**  
CODE: KIT02723  
MODEL: EXXNRVRD

Line Drawing



	Models	
	EAI430SS	EAI436SS
<b>A</b>	30" (76.2 cm)	36" (91.4 cm)
<b>B</b>	20" (50.8 cm)	
<b>C</b>	4 7/10" (12 cm)	
<b>D</b>	2" (5.2 cm)	
<b>E</b>	3 1/4" x 10" (8.3 cm x 25.4 cm)	
<b>F</b>	7" (17.8 cm)	

Consumable parts

**Replacement Grease Filter (1)**

CODE: GF04BA (30")  
CODE: GF04BB (36")

**Replacement Carbon Filter (1)**

CODE: TM01FA (30")  
CODE: TM01FB (36")

**Replacement Light Bulb (1)**

CODE: 2006BH

Consumable parts are sold in units of one (1). Order accordingly.

PLUS



**Elica CRS:**  
CFM Reduction System (CRS), is an exclusive feature to Elica hoods, which enables the installer to reduce the maximum blower CFM, to meet local code requirements.

