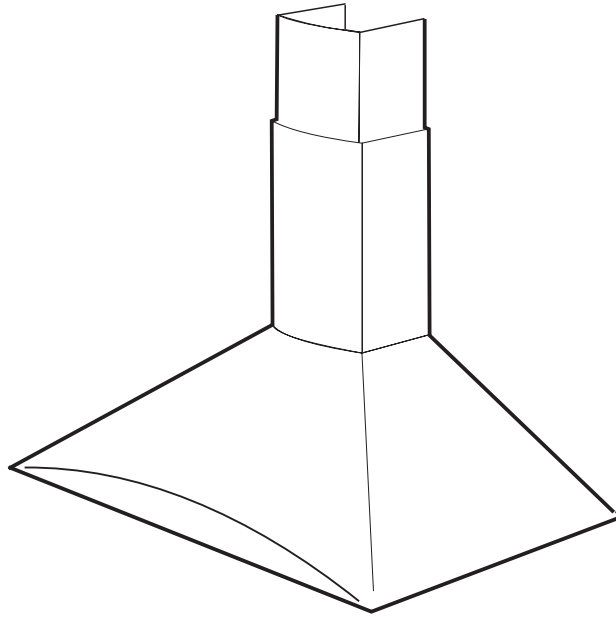


User, Care and Installation Guide
Guide d'utilisation, d'entretien et d'installation
Guía de instalación, uso y mantenimiento

READ AND SAVE THESE INSTRUCTIONS
LISEZ CES INSTRUCTIONS ET CONSERVEZ-LES
LEA Y GUARDE ESTAS INSTRUCCIONES



English	Contents	page	2
French	Sommaire	page	15
Spanish	Contenido	página	44

English

Contents	3
Important Safety Notice	3
Electrical & Intallation Requirements	4
Electrical requirements	4
Electrical Connection	5
List of Materials	6
Parts supplied	6
Parts not supplied	6
Dimensions and Clearances	7
Ducting Options and Examples	8
Venting methods	8
Preparation	8
Installation	9
Installation - Ducting version	9
Descrpcion of the Hood & Controls	11
Controls	11
Maintenance	12
Cleaning	12
Grease Filter	12
Replancing the light bulb	13
Charcoal Filter	13
Warranty	14

**APPROVED FOR RESIDENTIAL APPLIANCES
FOR RESIDENTIAL USE ONLY
READ AND SAVE THESE INSTRUCTIONS**

PLEASE READ ENTIRE INSTRUCTIONS BEFORE PROCEEDING.

INSTALLATION MUST COMPLY WITH ALL LOCAL CODES.

IMPORTANT: Save these Instructions for the Local Electrical Inspector's use.

INSTALLER: Please leave these Instructions whit this unit for the owner.

OWNER: Please retain these instructions for future reference.

Safety Warning: Turn off power circuit at service panel and lock out panel, before wiring the appliance.

Requirement: 120 V AC, 60 Hz. 15 or 20 A Branch Circuit.

READ AND SAVE THESE INSTRUCTIONS

Important Safety Notice

CAUTION

FOR GENERAL VENTILATING USE ONLY. DO NOT USE TO EXHAUST HAZARDOUS OR EXPLOSIVE MATERIALS OR VAPOURS.

WARNING

TO REDUCE THE RISK OF FIRE, ELECTRIC SHOCK, OR INJURY TO PERSONS, OBSERVE THE FOLLOWING:

- A. Use this unit only in the manner intended by the manufacturer. If you have questions, contact the manufacturer.
- B. Before servicing or cleaning the unit, switch power off at service panel and lock service panel disconnecting means to prevent power from being switched on accidentally. When the service disconnecting means cannot be locked, securely fasten a prominent warning device, such as a tag, to the service panel.
- C. Installation Work and Electrical Wiring Must Be Done By Qualified Person(s) In Accordance With All Applicable Codes & Standards, Including Fire-rated Construction.
- D. Sufficient air is needed for proper combustion and exhausting of gases through the flue (Chimney) of fuel burning equipment to prevent back-drafting. Follow the standards such as those published by the National Fire Protection Association (NFPA), the American Society for Heating, Refrigeration and Air Conditioning Engineers (ASHARE), and the local code authorities.
- E. When cutting or drilling into wall or ceiling, do not damage electrical wiring and other hidden utilities.
- F. Ducted systems must always be vented to the outdoors.

CAUTION

To reduce risk of fire and to properly exhaust air, be sure to duct air outside - do not vent exhaust air into spaces within wall, ceilings, attics, crawl spaces, or garages.

WARNING

TO REDUCE THE RISK OF FIRE, USE ONLY METAL DUCT WORK.

Install this hood in accordance with all requirements specified.

WARNING

To reduce risk of fire or electrical shock, do not use this hood with any external solid state speed control device.

WARNING

TO REDUCE THE RISK OF A RANGE TOP GREASE FIRE.

- a) Never leave surface units unattended at high settings. Boilovers cause smoking on low or medium settings.
- b) Always turn hood ON when cooking at high heat or when frying lambing food (I.e. Crepes, Suzette, Cherries Jubilee, Peppercom Beef Flabe').
- c) Clean ventilating fans frequently. Grease should not be allowed to accumulate on fan or filter.
- d) Use proper pan size. Always use cookware appropriate for the size of the surface element.

WARNING

TO REDUCE THE RISK OF INJURY TO PERSONS, IN THE EVENT OF A RANGE TOP GREASE FIRE, OBSERVE THE FOLLOWING:

- a) SMOTHER FLAMES with a close-fitting lid, cookie sheet, or other metal tray, then turn off the gas burner or the electric element. BE CAREFUL TO PREVENT BURNS. If the flame do not go out immediately, EVACUATE AND CALL THE FIRE DEPARTMENT.
- b) NEVER PICK UP A FLAMING PAN - you may be burned.
- c) DO NOT USE WATER, including wet dishcloths or towels - a violent steam explosion will result.
- d) Use an extinguisher explosion will result.
 - 1) You know you have a class ABC extinguisher, and you already know how to operate it.
 - 2) The fire is small and contained in the area where it started.
 - 3) The fire department is being called.
 - 4) You can fight the fire with your back to an exit.

OPERATION

a. Always leave safety grills and filters in place. Without these components, operating blowers could catch onto hair, fingers and loose clothing.

The manufacturer declines all responsibility in the event of failure to observe the instructions given here for installation, maintenance and suitable use of the product. The manufacturer further declines all responsibility for injury due to negligence and the warranty of the unit automatically expires due to improper maintenance.

CAUTION

Automatically Operated Device - To reduce risk of injury disconnect from power supply before servicing.

Electrical & Installation requirements

Electrical requirements

IMPORTANT

Observe all governing codes and ordinances.

It is the customer's responsibility:

To contact a qualified electrical installer.

To assure that the electrical installation is adequate and in conformance with National Electrical Code, ANSI/NFPA 70 - latest edition*, or CSA Standards C22.1-94 Canadian Electrical Code, Part 1 and C22.2 No. 0-M91 - latest edition** and all local codes and ordinances.

If codes permit and a separate ground wire is used, it is recommended that a qualified electrician determine that the ground path is adequate.

Do not ground to a gas pipe.

Check with a qualified electrician if you are not sure range hood is properly grounded.

Do not have a fuse in the neutral or ground circuit.

IMPORTANT

Save Installation Instruction for electrical inspector's use.

The range hood must be connected with copper wire only.

The range hood must be connected directly to the fused disconnect (Or circuit breaker) box through metal electrical conduit.

Wire sizes must conform to the requirements of the National Electrical Code ANSI/NFPA 70 -- latest edition*, or CSA Standards C22.1-94, CANADIAN ELECTRICAL CODE PART 1 AND C22.2 No. 0-M91 - latest edition** and all local codes and ordinances.

A U.L. - or C.S.A. - listed conduit connector must be provided at each end of the power supply conduit (at the range hood and at the junction box).

Copies of the standards listed may be obtained from:

* National Fire Protection Association Batterymarch Park Quincy.

** CSA International 8501 East Pleasant Valley Road Cleveland, Ohio 44131-5575

Before installing the hood

1. For the most efficient air flow exhaust, use a straight run or as few elbows as possible.
CAUTION: Vent unit to outside of building, only.
2. At least two people are necessary for installation.
3. Fittings material is provided to secure the hood to most types of walls/ceilings, consult a Qualified Installer, check if they perfectly fit with your cabinet/wall.
4. Do not use flex ducting.
5. COLD WEATHER installations should have an additional backdraft damper installed to minimize backward cold air flow and a nonmetallic thermal break to minimize conductions of outside temperatures as part of the ductwork. The damper should be on the cold air side of the thermal break.
6. Make up air: Local building codes may require the use of Make-Up Air Systems when using Ducted Ventilation Systems greater than specified CFM of air movement. The specified CFM varies from locale to locale. Consult your HVAC professional specific requirements in your area.

Removing the packaging

CAUTION!

Remove carton carefully, Wear gloves to protect against sharp edges.

WARNING:

Remove the protective film covering the product before putting into operation.

Electrical connection

WARNING

Electrical Shock Hazard

Plug into a grounded 3 prong outlet.

Do not remove ground prong.

Do not use an adapter.

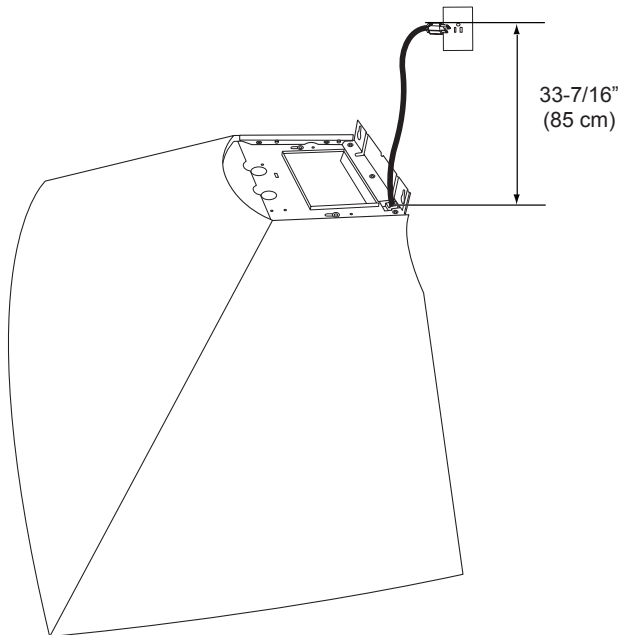
Do not use an extensión cord.

Failure to follow these instructions can result in death, fire, or electrical shock.

This range hood is equipped with a power supply cord having a 3 prong grounding plug.

To minimize possible shock hazard, the cord must be plugged into a matting, 3 prong, grounding-type outlet, grounded in accordance with local codes and ordinances. If a mating outlet is not available, it is the personal responsibility and obligation of the customer to have the propely grounded outlet installed by a qualified electrician.

The grounded 3 prong outlet is to be located above the range hood at a maximum distance of 33-7/16" (85.0 cm) from where the power cord exits the hood. See Illustration.



GROUNDING INSTRUCTIONS

- For grounded, cord-connected range hood:
This range hood must be grounded. In the event of an electrical short circuit, grounding reduces the risk of electric shock by providing an escape wire for the electric current. This range hood is equipped with a cord having a grounding wire with a grounding plug. The plug must be plugged into an outlet that is properly installed and grounded.

WARNING: Improper grounding can result in a risk of electric shock.

Consult a qualified electrical if the grounding instructions are not completely understood, or if doubt exists as to whether the range hood is propely grounded.

Do not use an extension cord. If the power supply cord is too short, have a qualified electrician install an outlet near the range hood.

List of Materials

Parts supplied

Removing the packaging

CAUTION!

Remove carton carefully, Wear gloves to protect against sharp edges.

WARNING:

Remove the protective film covering the product before putting it into operation.

- Hood canopy assembly with blower, transition.
- Lamp already installed.
- Grease filter.
- Duct cover.
- Hardware bag with:
 - Template
 - Duct cover support bracket (1 piece)
 - Use, care and installation guide
 - Wood screws (6 piece - 3/16" x 1"3/4)
 - Hood attachment anchors screw (6 pieces - 1/8" x 3/8")
 - Assembly screw (4 pieces)

Parts not supplied

Optional Accessories

- **Ductless Recirculating Kit**

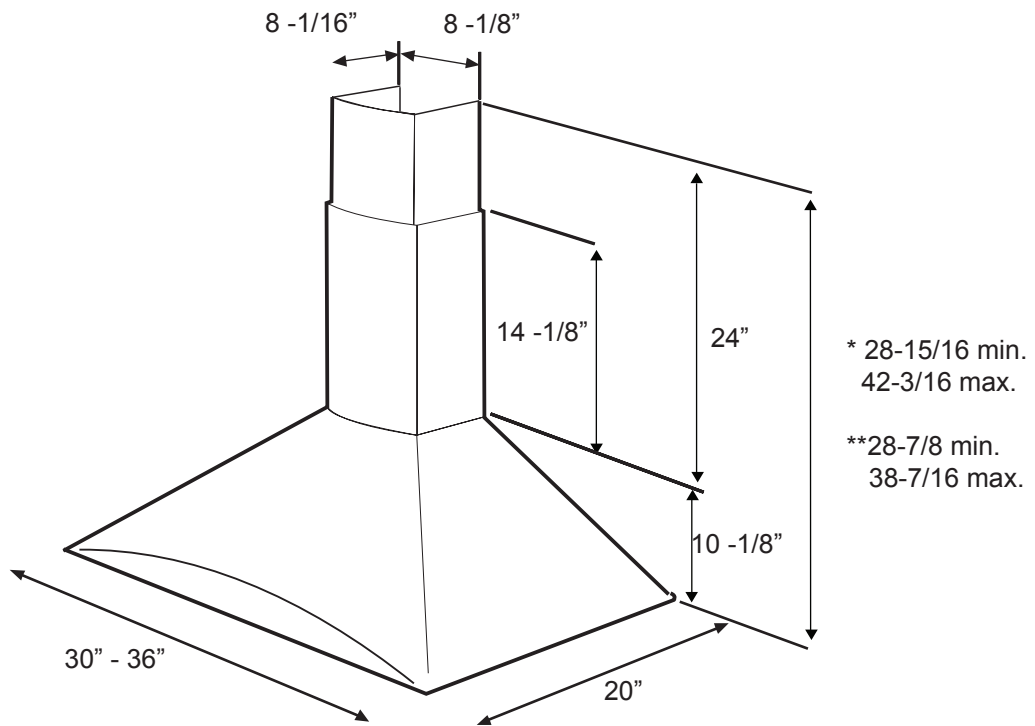
To be used only in the Ductless (Recirculating) version

Includes: charcoal filter, charcoal filter support and fixing bracket, deflector.

Tools/Materials required

- Wire nuts
- Tape to mount template
- 8" rounded metal duct length to suit installation
- Measuring tape
- Pliers
- Gloves
- Knife
- Safety glasses
- Electric drill with 5/6" and 3/8" Bits
- Strain relief
- Spirit level
- Duct tape
- Screwdriver:
 - Phillips (Posidrive) #2
 - Torx # 2
- Wire cutter/stripper
- Masking tape
- Hammer
- Saw, jig saw or reciprocating saw

Dimensions and Clearances



*Ductless (Recirculating) version only

**Ducting version only

Ducting Options and Examples

Closely follow the instructions set out in this manual.

All responsibility for any eventual inconveniences, damages or fires caused by not complying with the instructions in this manual, is declined.

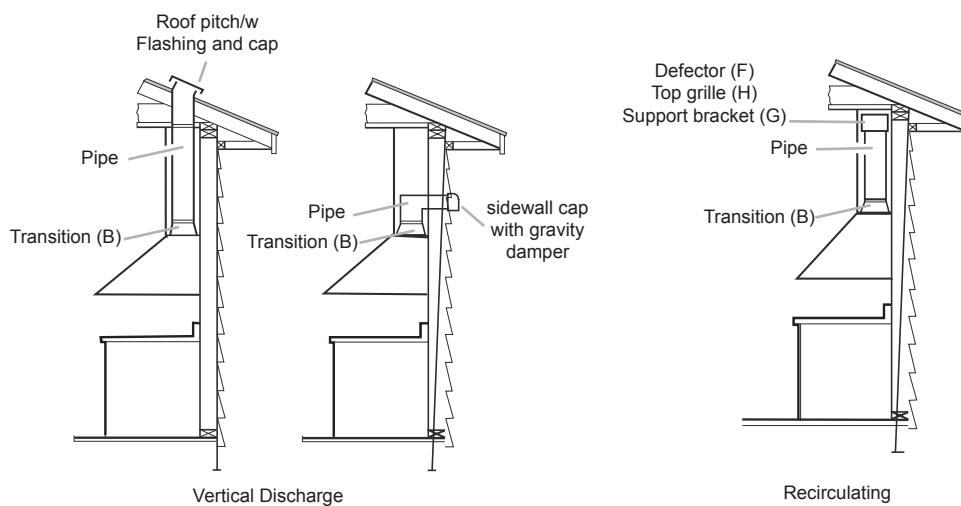
Venting methods

The hood is equipped with a transition B discharge of fumes to the outside (Ducting version).

Should it not be possible to discharge cooking fumes and vapour to the outside, the hood can be used in the Ductless (Recirculating) version. Attach a charcoal filter and the deflector F on the duct cover support bracket G. Fumes and vapours are recycled through the top grille H by means of a duct connected to the transition B and the transition mounted on the deflector F.

NOTE: For the ductless (Recirculating) version only: purchase the ductless recirculating Kit.

Minimum duct size (Ducting/Ductless version): 6" Round Pipe.



Preparation

Do not cut a joist or stud only if absolutely necessary. If a joist or stud must be cut, then a supporting frame must be constructed.

Fitting material is provided to secure the hood to most types of walls/ceilings.

However, a qualified technician must verify suitability of the materials in accordance with the type of wall/ceiling.

Before marking cutouts, make sure there is proper clearance within the ceiling or wall for exhaust vent.

Hood installation height above cooktop is the users preference. The lower the hood is above the cooktop, the more efficient the capturing of cooking odors, grease and smoke.

CAUTION: FOR 8' CEILING : MOUNT THIS HOOD SO THAT THE BOTTOM EDGE IS AT 30" (76,2 CM) MINIMUM ABOVE THE COOKING SURFACE.

FOR 9' CEILING: MOUNT THIS HOOD SO THAT THE BOTTOM EDGE IS AT 36" (91,4 CM) MINIMUM ABOVE THE COOKING SURFACE.

CHECK YOUR CEILING HEIGHT AND THE HOOD HEIGHT MAXIMUM BEFORE YOU SELECT YOUR HOOD.

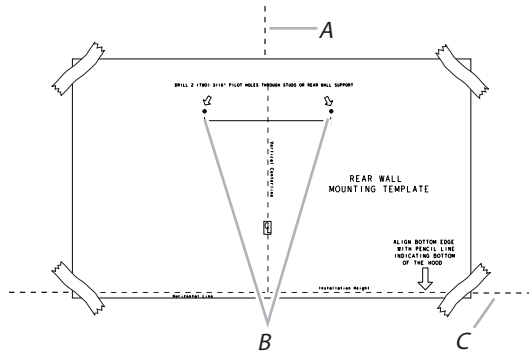
Installation

Installation - Ducting version

- It is recommended that the vent system be installed before the hood is installed.
- Before making cutouts, make sure there is proper clearance within the ceiling or wall for exhaust vent.
- Check your ceiling height and the hood maximum height before you select your hood.
- Disconnect power.
- Determine which venting method to use: roof, wall, or non-vented.
- Select a flat surface for assembling the range hood. Place covering over that surface.
- Using 2 or more people, lift range hood onto covered surface.

Range hood mounting screws installation

- Determine and mark centerline on the wall the canopy hood will be installed.
- Tape template in place, aligning the template centerline and bottom of template with hood bottom line and with the centerline marked on the wall.



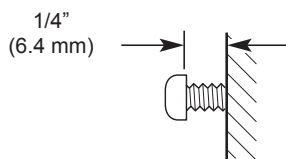
- A. Centerline
- B. Fastener locations
- C. Mounting height reference

- Mark centers of the fastener locations through the template to the wall.

IMPORTANT: All screws must be installed into wood. If there is no wood to screw into, additional wall framing supports may be required.

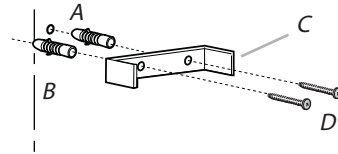
Remove the template.

- Drill 3/16" (4.8 mm) pilot holes at all locations where screws are being installed into wood.
- Install the 2 - 5 X 45 mm mounting screws. Leave a 1/4" (6.4 mm) gap between the wall and the back of the screw head to slide range hood into place.



Secure the bracket to the wall:

- Position vent cover bracket on wall about 1/8" (3.0mm) away from the ceiling.
- Mark the hole locations.
- Drill 3/8" (9.5mm) holes for wall anchors and insert anchors flush with the wall.

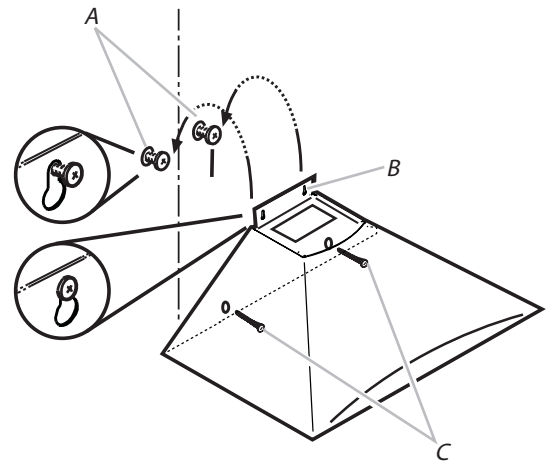


- A. 8 x 40 mm drywall anchors
- B. Centerline on wall
- C. Vent cover support bracket
- D. 5 X 45 mm screws

- Attach vent cover support bracket to wall.

Mounting the hood

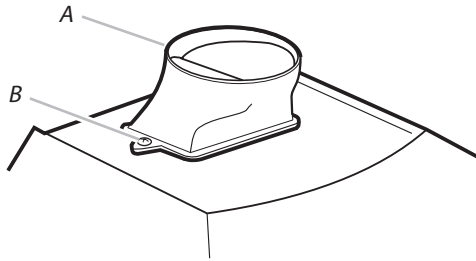
- Using 2 or more people, hang range hood on 2 mounting screws through the mounting slots on back of hood.



- A. Mounting screws
- B. Mounting slots
- C. Lower mounting screws

- Remove the grease filter and mount the hood onto the upper screws.
- Level the range hood and tighten upper mounting screws.
- Install 2 - 5 X 45 mm lower mounting screws and tighten.

- Install transition on top of hood (if removed for shipping) with 2 - 3.5 X 6.5 mm sheet metal screws.



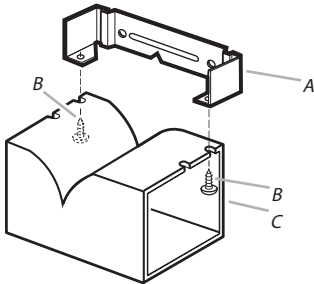
A. Vent transition
B. 3.5 X 6.5 mm screw

For vented installations only:

- Fit vent system transition place
- Seal connection with clamps.
- Check the backdraft dampers work properly.

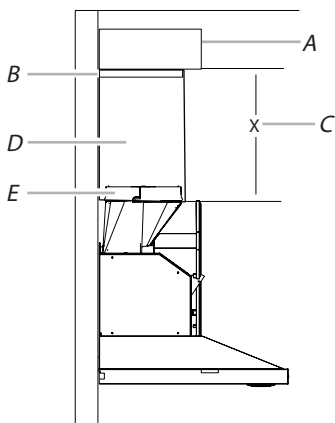
For non vented (recirculating) installation only:

- Assemble the air deflector with the duct cover bracket with 2 - assembly screws provided with the Recirculating Kit.



A. Vent cover bracket
B. 2.9 X 6.5 mm screw
C. Deflector

Measure from the bottom of the air deflector to the bottom of the hood outlet.



A. Air deflector
B. Vent clamp
C. X = length to cut duct cover
D. Duct cover
E. Exhaust outlet

- Cut the duct to the measured size (X)
- Remove the air deflector
- Slide the duct onto the bottom of the air deflector
- Place the assembled air deflector and duct over the exhaust outlet from the hood.
- Reassemble the air deflector to the duct cover bracket with 2 assembly screws.
- Seal connections with vent clamps.

WARNING: Plug into a grounded 3 prong outlet.

Do not remove ground prong.

Do not use an adapter.

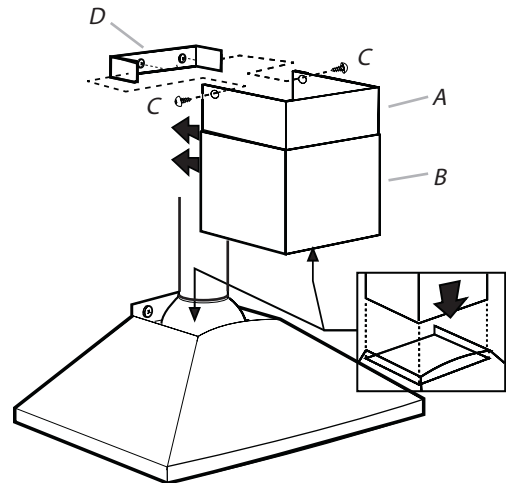
Do not use an extension cord.

Failure to follow these instructions can result in death, fire, or electrical shock.

Mounting the duct cover

When using both upper and lower vent covers, push lower cover down onto hood and lift upper cover to ceiling and install with two 2.9 X 6.5 mm screws.

NOTE: For vent installations, the upper vent cover may be reversed to hide slots.



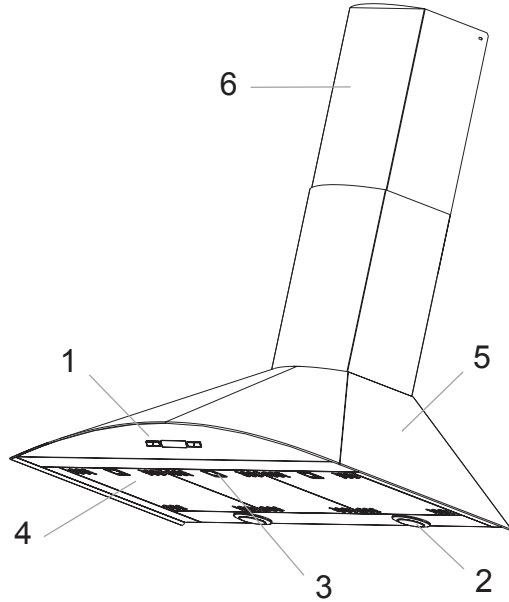
A. Upper duct cover
B. Lower vent cover
C. 2.9 X 6.5 mm screws
D. Bracket

Complete Installation

For non-vented (recirculating) installation only, install charcoal filters over grille on blower housing. Install metal filters.

Check the operation of the range hood blower and light.

Description of the hood & Control



1. Blower and light controls
2. Lamp housings
3. Grease filter Handle
4. Grease Filter
5. Canopy
6. Duct covers

Controls

Use the high suction speed in case of concentrated kitchen vapours. It is recommended that the cooker hood suction is switched on for 5 minutes prior to cooking and to leave in operation during cooking and for another 15 minutes approximately after terminating cooking.

Note: Hood retains last speed setting when aspiration switch is turned off.

Description of control panel



1. Light Button

- Press lamp button to turn ON the light on High Intensity (Lamp state previously OFF).
- Press lamp button to turn ON the light on Low Intensity (Lamp state previously ON).
- Press lamp button to turn OFF the light (Lamp state previously ON).

2. Timer Button

- The default timer setting is 10 minutes, and it can be adjusted between 60 minutes and 1 minute.
- After pressing the timer button, the control enters to a timer setup mode, and user can adjust the timer countdown time with the “+” and “-” buttons within 5 seconds. The timer can be initiated immediately pressing the timer button. after setting the timer duration or pressing the timer button twice (default 10 minutes setting).
- If no action occurs within 5 seconds, the countdown will start.
- During the timer setup the “+” and “-” buttons are dedicated to the timer and no motor action will occur.
- Once the timer is initiated, it can be cancelled by pressing the timer button again.

3. Display

- Shows the hood settings.
- The display will be lit at low intensity when the hood is not operating. Pressing any key the display will light up at high intensity.
- The display will be lit at high intensity when the hood is operating.
- If no key is pressed within a minute the display will return to being at low intensity.

4. “-” Button. Speed Decrease / OFF

- This button is used to decrease the fan speed, or turn OFF the fan.
- The fan will turn OFF if the “-” button is pressed and the hood was in the first speed.
- If the fan is at second speed and the “-” button is pressed, the fan will be set to first speed.
- If the fan is at third speed and the “-” key is pressed, the fan will be set to second speed.
- If the fan is at fourth speed and the “-” button is pressed, the fan will be set to third speed.
- If the fan is OFF and the “-” button is pressed, the control backlight will light up.

5. “+” Button. Speed Increase / ON

- This button is used to increase the fan speed, or turn ON the fan.
- The fan will turn On if the “+” button is pressed and the hood was OFF.
- If the fan is at first speed and the “+” button is pressed, the fan will be set to second speed.
- If the fan is at second speed and the “+” button is pressed, the fan will be set to third speed.
- If the fan is at third speed and the “+” button is pressed, the fan will be set to fourth speed.
- If the fan is at fourth speed and the “+” button is pressed, a beep will sound.

Clock programming

- The clock can be reprogrammed at any time except during an active timed function.
- The clock can be displayed in a twelve hour format and valid clock times are from 1:00 to 12:59.
- The clock can be reprogrammed pressing the "Timer" button for 3 seconds, and after, the clock can be adjusted with the "+" and "-" buttons.
- The user can have minute increments / decrements of 1 minute, but if the user keep pressing the "+" / "-" buttons for more than 1 second, the increments / decrements will be of 5 minutes.
During this option the control will round to the nearest 5 minutes.
- The user can finish on reprogramming the clock pressing the "Timer" button.
- After 1 minute of no button pressed the control will accept the programmed clock time and will add one minute to the set clock.

Grease filter saturation alarm (Optional)

- After thirty fan functional hours, the display will show "Grease Filter" if the fan is active.
When this icon is shown in the display, the grease filters installed are required to be washed.
- To reset the grease filter saturation alarm the user must press the "+" button for 5 seconds, after this action the icon "Grease Filter" is not displayed, and the hood has normal display operation.

Charcoal filter saturation alarm (Optional)

- After one hundred and twenty functional hours of the fan, the display will show "Charcoal Filter" if the fan is active.
When this icon flashes on display, the charcoal filters installed are required to be replaced or reactivated.
- To reset the charcoal filter saturation indication the user must press the "-" button for 5 seconds, after this time the icon "Charcoal Filter" is not displayed and the hood has the normal display operation.

Audible signal activation and deactivation

- The audible signals can be activated or deactivated pressing the "Light" button for 5 seconds.
- If the audible signal is activated, a tone must sound and the "Snd" symbol must appear on the display for 3 seconds.
- If the audible signal is deactivated, the "Snd" symbol must appear on the display for 3 seconds and no tone must sound.

Charcoal filter inclusion and exclusion

(Recirculating accessories)

- The charcoal filter inclusion or exclusion can be set by pressing the "+" and "-" buttons at the same time for 5 seconds.
- The inclusion or exclusion of charcoal filter must be selected while the lamps and the motor are OFF.
- When the charcoal filter has been excluded, the charcoal filter alarm is disabled.

Heat sensor

- The control is equipped with a heat sensor that will turn on the blower at third speed if excessive heat occurs (over 149°F or 65°C) surrounding the control area.
- If the blower is OFF or if it is operating at first speed, the blower will be set automatically to third speed, the display shows the word "CArE" to indicate that heat sensor has detected an excessive heat.
- During this state, the user may raise the blower speed to fourth speed but can not decrease the speed.
- When the temperature level on the hood drops to normal, the blower will operate in the setting defined by the user before the alarm occurred.

Maintenance

ATTENTION! Before performing any maintenance operation, isolate the hood from the electrical supply by switching off at the connector and removing the connector fuse. Or if the appliance has been connected through a plug and socket, then the plug must be removed from the socket.

Cleaning

Do not spray cleaners directly to the control while cleaning the Hood. The cooker hood should be cleaned regularly (at least with the same frequency with which you carry out maintenance of the fat filters) internally and externally. Clean using the cloth dampened with neutral liquid detergent. Do not use abrasive products. **DO NOT USE ALCOHOL!**

WARNING:

Failure to carry out the basic cleaning recommendations of the cooker hood and replacement of the filters may cause fire risks.

Therefore, we recommend observing these instructions.

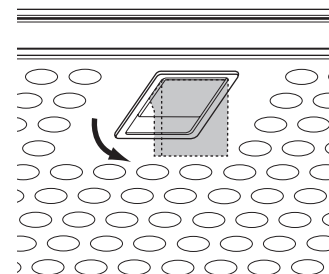
The manufacturer declines all responsibility for any damage to the motor or any fire damage linked to inappropriate maintenance or failure to observe the above safety recommendations.

Grease Filter

Traps cooking grease particles.

This filters should be washed frequently using non aggressive detergents, either by hand or in the dishwasher, which must be set to a low temperature and a short cycle. When washed in a dishwasher, the grease filter may discolour slightly, but this does not affect its filtering capacity.

To remove the grease filter, pull the spring release handle.

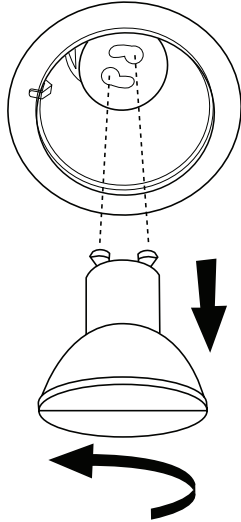


Replacing the light bulb

CAUTION

Before replacing the lamps, switch power off at service panel and lock service panel disconnecting means to prevent power from being switched on accidentally.

NOTE: Turn off the lights and fan. Allow the lights to cool before handling. If new lights do not operate be sure lights are inserted correctly before calling service.



Replace Lights

- Remove the damaged light (twist counter clockwise) and replace with a new 120 Volt, 50 Watt (maximum) 50° halogen light made for a GU10 base, **suitable for use in open luminarie.**

Charcoal Filter

If the model is not vented to the outside, the air will be recirculated through disposable charcoal filters that help remove smoke and odors.

The charcoal filters cannot be cleaned.

They must be replaced.

Cover the grill that protects the suction motor with the carbon filter so that the slots on the filter correspond to the pins on the sides of the motor protection grill.

Turn the carbon filter clockwise to block them (bayonet fixing).

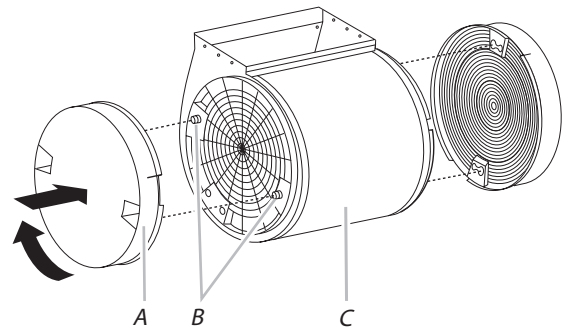
The charcoal filters should be replaced every 4-6 months (depending on hood usage).

NOTE: DO NOT rinse, or put charcoal filters in an automatic dishwasher.

NOTE: Charcoal filters are not included with the hood.

They must be ordered from your supplier.

Order the needed kit specifying your hood model and width size.



- A. Charcoal filter
- B. Slots
- C. Blower motor

Warranty

ELICA North America TWO - YEAR LIMITED WARRANTY

TO OBTAIN SERVICE UNDER WARRANTY

Owner must present proof of original purchase date. Please keep a copy of your dated proof of purchase (sales slip) in order to obtain service under warranty.

PARTS AND SERVICE WARRANTY

For the period of two (2) years from the date of the original purchase, Elica will provide free of charge, non consumable parts or components that failed to manufacturing defects. During these two (2) year limited warranty, Elica will also provide free of charge, all labor and in-home service to place any defective parts.

WHAT IS NOT COVERED

- Damage or failure to the product caused by accident or act of God, such as, flood, fire or earthquake.
- Damage or failure caused by modification of the product or use of non-genuine parts.
- Damage or failure to the product caused during delivery, handling or installation.
- Damage or failure to the product caused by operator abuse.
- Damage or failure to the product caused by dwelling fuse replacement or resetting of circuit breakers.
- Damage or failure caused by use of product in a commercial application.
- Service trips to dwelling to provide use or installation guidance.
- Light bulbs, metal or carbon filters and any other consumable part.
- Normal wear of finish.
- Wear to finish due to operator abuse, improper maintenance, use of corrosive or abrasive cleaning products/pads and oven cleaner products.

WHO IS COVERED

This warranty is extended to the original purchaser for products purchased for ordinary residential use in North America (Including the United States, Guam, Puerto Rico, US Virgin Islands & Canada).

This warranty is non-transferable and applies only to the original purchaser and does not extend to subsequent owners of the product. This warranty is made expressly in lieu of all other warranties, expressed or implied, including, but not limited to any implied warranty of merchantability or fitness for a particular purpose and all other obligations on the part of Elica North America, provided, however, that if the disclaimer of implied warranties is ineffective under applicable law, the duration of any implied warranty arising by operation of law shall be limited to two (2) year from the date of original purchase at retail or such longer period as may be required by applicable law.

This warranty does not cover any special, incidental and/or consequential damages, nor loss of profits, suffered by the original purchaser, its customers and/or the user of the Products.

WHO TO CONTACT

To obtain Service under Warranty or for any Service Related Question

Please Call:

- Elica North America Authorized Service at (888) 732-8018

Or by Writing To:

- Elica North America, Attention Customer Service, 222 Merchandise Mart Plaza Suite 947, Chicago, IL 60654 USA.

infoamericas@elica.com

Sommaire

Avis de sécurité important	16
Exigences électriques et exigences d'installation	17
Exigences électriques	17
Connexion Électrique	18
Liste des pièces	19
Pièces fournies	19
Pièces non fournies.....	19
Dimensions et Dégagement	20
Exemples et possibilités de positionnement des conduits	21
Méthodes de ventilation.....	21
Préparation.....	21
Installation	22
Installation - Version à conduit	22
Description de la hotte et des commandes	22
Commandes.....	24
Entretien	24
Nettoyage.....	25
Filtre à graisse	25
Remplacement des ampoules.....	25
Filtres à charbon.....	26
Garantie	27

**APPROUVÉ POUR LES APPAREILS DE TYPE RÉSIDENTIEL
POUR UNE UTILISATION RÉSIDENTIELLE SEULEMENT
LISEZ CES INSTRUCTIONS ET CONSERVEZ-LES**

VEUILLEZ LIRE CES INSTRUCTIONS AU COMPLET AVANT DE COMMENCER.

L'INSTALLATION DE L'APPAREIL DOIT RESPECTER TOUS LES CODES EN VIGUEUR.

IMPORTANT: Conservez ces instructions afin de pouvoir les remettre à l'inspecteur-électricien de votre région.

INSTALLATEUR: Veuillez laisser ces instructions avec l'appareil pour le propriétaire.

PROPRIÉTAIRE: Veuillez conserver ces instructions pour pouvoir vous y référer plus tard.

Avertissement de sécurité: Coupez l'alimentation du circuit dans le panneau électrique et varrouillez le panneau avant de raccorder les fils de cet appareil.

Exigence: 120 V c.a., 60 Hz circuit de dérivation de 15 V c.a., 20 Hz, de 15 ou 20 A.

LISEZ CES INSTRUCTIONS ET CONSERVEZ-LES

Avis de sécurité important

ATTENTION

UTILISER CET APPAREIL. À DES FINS DE VENTILATION GÉNÉRALE SEULEMENT. NE PAS UTILISER CET APPAREIL POUR ÉVACUER DES MÉTÉRIAUX OU DES VAPEURS DANGEREUX OU EXPLOSIFS.

AVERTISSEMENT

POUR RÉDUIRE LES RISQUES D'INCENDIE, DE CHOC ÉLECTRIQUE ET DE BLESSURE, RESPECTER LES DIRECTIVES SUIVANTES:

- A. Utiliser cet appareil uniquement aux fins prévues par le fabricant. Si vous avez de question à propos de l'appareil, communiquez avec le fabricant.
- B. Avant de faire l'entretien de l'appareil ou de le nettoyer, coupez l'alimentation dans le panneau électrique et permettant d'empêcher d'activer l'alimentation accidentellement. S'il n'est pas possible de verrouiller l'accès au panneau, fixez une étiquette très voyante au panneau électrique.
- C. Une personne qualifiée doit effectuer l'installation et le câblage des fils électriques en conformité avec tous les codes et toutes les normes, y compris la cote de résistance au feu.
- D. Il est important de prévoir suffisamment d'air pour assurer une bonne combustion de l'équipement de chauffe et l'évacuation adéquates des gaz par le conduit de cheminée afin de prévenir les refoulements d'air. Respectez les directives et les normes de sécurité des fabricants de l'équipement de chauffage, comme celles publiées par la National Fire Protection Association (NFPA), la American Society for Heating, Refrigeration and Air Conditioning Engineers (ASHARE), et le code des autorités de votre région.
- E. Au moment de couper au de percer un mur ou un plafond, assurez-vous de ne pas endommager la filerie électrique ou tout autre accès à un service publique.
- F. Il faut toujours évacuer à l'extérieur les systèmes à conduit.

ATTENTION

Pour réduire les risque d'incendie et évacuer l'air correctement, assurez-vous que le conduit mène à l'extérieur; il ne faut pas évacuer l'air dans l'espace entre les murs, dans les plafonds, dans les greniers, les vides sanitaires ou les garage.

AVERTISSEMENT

POUR RÉDUIRE DES RISQUES D'INCENDIES, UTILISEZ UNIQUEMENT DES CONDUITS EN MÉTAL.

Installez cette hotte en respectant toutes les exigences mentionnés.

AVERTISSEMENT

Pour réduire les risque d'incendie et de choc électrique, n'utilisez cette hotte avec un contrôleur de vitesse à semi-conducteurs.

AVERTISSEMENT

POUR RÉDUIRE LES RISQUES D'INCEDIES DE GRAISSE SUR LES CUISINIÈRES.

- a) Ne laissez jamais la cuisinière sans surveillance lorsqu'elle est réglée à une haute température. Les débordements par bouillonnement causent de la fumée

et des débordements de gras qui peuvent s'enflammer. Faites chauffer l'huile lentement, à une température basse ou moyenne.

- b) Faites toujours fonctionner la hotte lorsque vous utilisez la cuisinière à une haute température ou que vous faites flamber des aliments (P. ex: crêpes Suzette, cerises jubiléés, boeuf au poivre flambé).
- c) Nettoyez les hélices de ventilation fréquemment. Il ne faut pas que la graisse s'accumule sur les filtres ou les hélices.
- d) Utilisez le bon format de casserole. Utilisez toujours un chaudron de taille approprié à l'élément de la cuisinière.

AVERTISSEMENT

POUR ÉVITER DE BLESSER QUELQU'UN LORS D'UN INCENDIE DE GRAISSE SUR LA CUISINIÈRE, SUIVRE LES CONSEILS SUIVANTS.

- a) ÉTOUFFER LES FLAMMES avec un couvercle aux dimensions de la taque de cuisson, une tôle à biscuit ou tout autre plateau métallique, puis couper le gaz ou l'alimentation électrique de la cuisinière. FAIRE ATTENTION A NE PAS SE BRÛLER. Si les flammes ne s'éteignent pas immédiatement, QUITTER LA PIÈCE ET APPELER LES POMPIERS.
- b) NE JAIMAS PENDRE EN MAIN UNE CASSEROLE EN FEU, vous pourriez vous blesser.
- c) NE PAS UTILISE D'EAU, y compris les essuies de vaisselle ou les serviettes humides - une violente explosion due à la vapeur formée pourrait survenir.
- d) Utiliser un extincteur SEULEMENT si:
 - 1) Vous êtes sûr d'avoir un extincteur de classe ABC que vous savez utiliser.
 - 2) Le feu est petit et confiné à la zone où il s'est formé.
 - 3) Les pompiers ont été appelés.
 - 4) Vous pouvez lutter contre le feu avec une sortie derrière vous.

MODE OPÉRATEIRE

- a. Toujours laisser les grilles de sécurité et les filters à leur place. Sans la présence de ces derniers, les parties aspirantes pourraient attirer les cheveux, les doigts ou les vêtements.

Le fabricant décline toute responsabilité si les informations détaillées dans ce manuel pour l'installation, l'entretien et l'utilisation adéquate du produit ne sont pas observées. Le fabriquant décline en outre toute responsabilité pour d'éventuelles blessures dues à des négligences; en outre, la garantie de l'appareil sera annulée suite à des conditions d'entretien inappropriées. Cet appareil est fabriqué pour un usage interne. Ne pas utiliser cet appareil à l'extérieur.

ATTENTION

Appareil commandé automatiquement - afin de réduire les risque de blessure, débranchez l'appareil de l'alimentation électrique avant de procéder à une réparation.

Exigences électriques et exigences d'installation

Exigences électriques

IMPORTANT

Respectez tous les codes et les ordonnances en vigueur.

Le client a la responsabilité de:

Contactez un électricien-installateur.

Vérifier que l'installation électrique est adéquate et conforme avec le Code National de Électricité, ANSI/NFPA 70 (la plus récente édition*), ou les normes C22.1-94, Code canadien de électricité, Partie 1 et C22.2 No. 0-M91 (La plus récente édition**) de la CSA, ainsi que tous les codes et les ordonnances de votre région.

Si le code le permet et que vous utilisez fil de mise à la terre distinct, il est recommandé de faire vérifier le chemin du fil par un électricien.

Ne pas mettre l'appareil à la terre sur une conduite de gaz. Consultez un électricien qualifié si vous n'êtes pas certain que la hotte est mise à la terre correctement.

N'installez pas un fusible dans le circuit neutre ou le circuit de mise à la terre.

IMPORTANT

Conservez ces instructions afin de pouvoir les remettre à l'inspecteur-électricien.

La hotte doit être câblée uniquement à l'aide de fils de cuivre.

Il faut raccorder la hotte directement à une boîte à fusible ou à un disjoncteur par l'entremise d'une canalisation électrique en métal.

Le calibre de fil doit être conforme aux exigences du Code National l'électricité, ANSI/NFPA 70 (La plus récente édition*), ou les normes C22.1-94, Code canadien de l'électricité, Partie 1 et C22.2 0-M91 (La plus récente édition**) de la CSA, ainsi que tous les codes et les ordonnances de votre région.

Il faut prévoir un connecteur de canalisation approuvé par l'UL ou la CSA à chaque extrémité de la canalisation d'alimentation (À la hotte et à la boîte de jonction).

Vous pouvez obtenir un exemplaire des normes indiquées en vous adressant à:

* La National Fire Protection Association Batterymarch Park Quincy.

** CSA International 8501 East Pleasant Valley Road Cleveland, Ohio 44131-5575

Avant d'installer hotte

1. Pour assurer la ventilation la plus efficace possible, installez la conduite en ligne droite ou avec le moins de coudes possibles. **ATTENTION:** La sortie de la conduite de ventilation doit donner sur l'extérieur.
2. Deux personnes sont nécessaires pour effectuer l'installation.
3. La quincaillerie fournie permet de fixer la hotte à la plupart des murs et des plafonds; consultez un installateur qualifié pour vous assurer que la quincaillerie fournie est adaptée à votre type de mur ou d'harmonie.
4. N'utiliser pas de conduit flexible.
5. Dans le cas des endroits sujets aux TEMPÉRATURES FROIDES, il faut installer un clapet de contre-tirage supplémentaire afin de minimiser le retour d'air froid et un isolant thermique non métallique afin de minimiser la conduction de la température extérieure dans le conduit. Il faut placer le clapet du côté de l'air froid de l'isolant thermique. L'isolant doit être placé le plus près possible de l'endroit où le conduit entre dans la partie chauffée de la maison.
6. Air d'appoint: Le code du bâtiment de votre région peut exiger l'utilisation d'un système d'air d'appoint si vous utilisez un système de ventilation à conduit dont le mouvement d'air dépasse un certain nombre de CFM. Consultez un professionnel de CVC pour connaître les exigences précises de votre région.

Enlever l'emballage

ATTENTION

Enlever délicatement le carton, Porter des gants pour se protéger des bords coupants.

AVERTISSEMENT

Enlever le film de protection recouvrant le produit avant de commencer l'opération.

Connexion Électrique

AVERTISSEMENT

Risque de choc électrique

Brancher sur une prise à 3 alvéoles reliée à la terre.

Ne pas enlever la broche de liaison à la terre.

Ne pas utiliser un adaptateur.

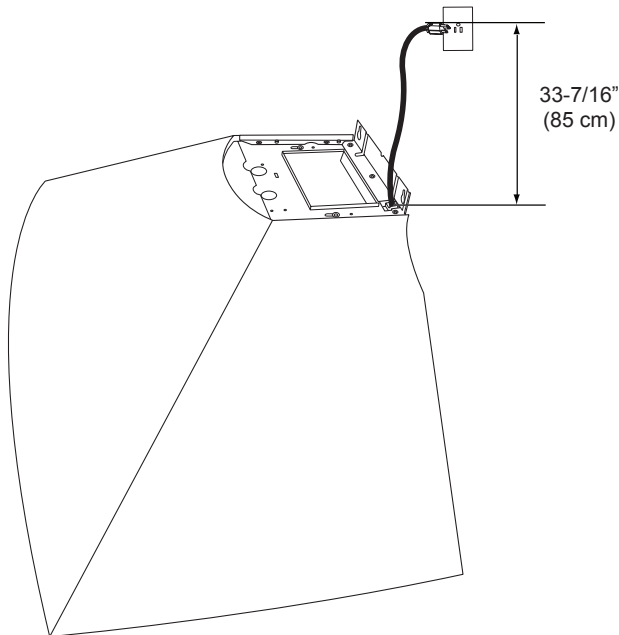
Ne pas utiliser un câble de rallonge.

Le non-respect de ces instructions peut causer un décès, un incendie ou un choc électrique.

Cette hotte est équipée d'un cordon d'alimentation électrique de liaison à la terre à trois broches.

Pour minimiser les risques de choc électrique, on doit brancher le cordon sur une prise de courant de configuration correspondante, à 3 alvéoles, reliée à la terre et installée conformément, aux codes et règlements locaux. Si une prise de courant de configuration correspondante n'est pas disponible, le client a la responsabilité et l'obligation de faire installer par un électricien qualifié une prise de courant correctement reliée à la terre.

La prise à 3 broches reliée à la terre doit se trouver au-dessus de la hotte, à une distance maximale de 37-7/16" (85cm) à partir du point duquel le cordon d'alimentation sort de la hotte. Voir l'illustration.



INSTRUCTIONS DE MISE À LA TERRE

- Pour une hotte reliée à la terre et connectée par un cordon:

Cette hotte doit être reliée à la terre. Au cas où un court-circuit se produirait, la liaison à la terre réduit le risque de choc électrique, en permettant au courant de s'échapper directement vers la terre. La hotte est équipée d'un cordon comportant un conducteur de liaison à la terre avec fiche de liaison à la terre. La fiche doit être branchée dans une prise correctement installée et reliée à la terre.

AVERTISSEMENT: Une mise à la terre incorrecte peut entraîner un risque de choc électrique.

Consulter un électricien qualifié si les instructions de mise à la terre ne sont pas complètement comprises, ou si vous avez des doutes quant à la qualité de la liaison à la terre de la hotte.

Ne pas utiliser de câble de rallonge. Si le cordon d'alimentation électrique est trop court, faire installer une prise près de la hotte par un électricien qualifié.

Liste des pièces

Pièces fournies

Enlever l'emballage

ATTENTION:

Enlever délicatement le carton, porter des gants pour se protéger des bords coupants.

AVERTISSEMENT

Enlever le film de protection recouvrant le produit avant de commencer l'opération.

- Assemblage hotte avec soufflerie, raccord.
- Ampoules déjà installée
- Filtre anti-graisses.
- Conduite de cheminée
- Kit quincaillerie comprenant:
 - Gabarit
 - Crochet de support conduit de cheminée (1 pièce)
 - Guide d'installation, entretien et installation
 - Wood screws (6 pièces - 3/16" x 1"3/4)
 - Hood attachment anchors screw (6 pièces - 1/8" x 3/8")
 - Assembly screw (4 pièces)

Pièces no fournies

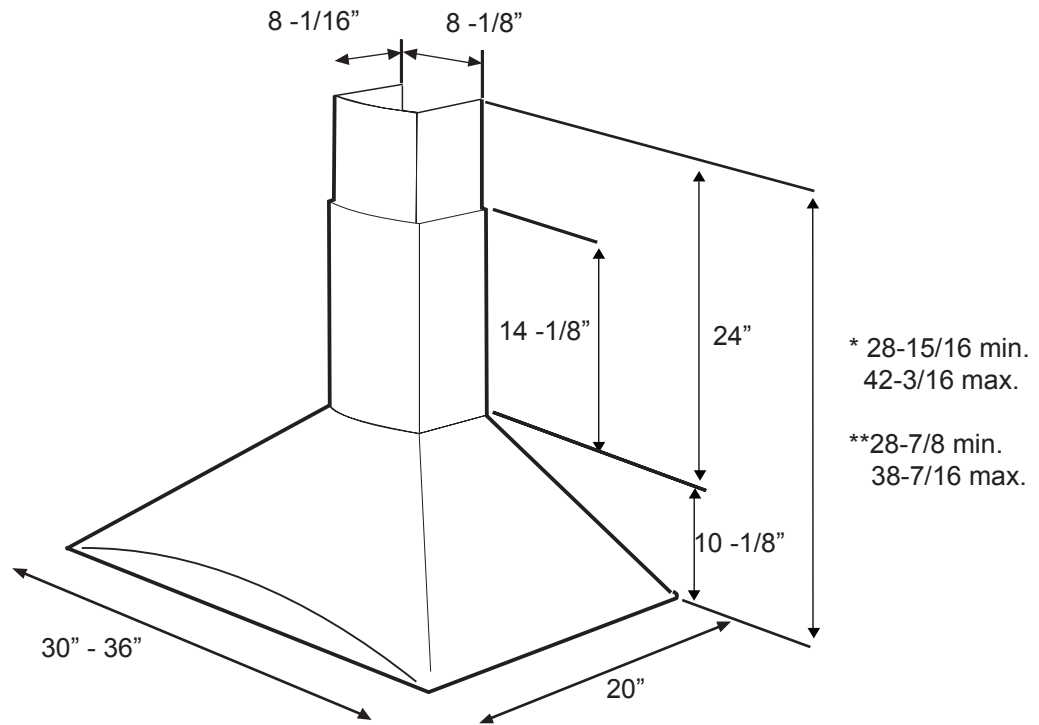
Accessories optionnel

- **Trousse de conversion en hotte à recyclage**
À utiliser seulement avec la version sans conduit (**À recyclage**)
comprend: filtre au charbon, soutien de filtre au charbon et support de fixation, déflecteur

Outils nécessaires

- Encrous métalliques
- Ruban pour le gabarit de montage
- Conduit métallique circulaire de 8" pour parfaire l'installation.
- Mètre ruban
- Tenailles
- Gants
- Couteau
- Lunettes de sécurité
- Foreuse électrique 5/16" et 3/8"
- Réducteur de tension
- Niveau
- Toile isolante
- 2 tournevis Phillips (Pozidrive)
- Dénudeur
- Ruban de masquage
- Marteau
- Scie, scie circulaire

Dimensions and Clearances



*Seulement avec la version sans conduit (à recyclage)

**Seulement avec la version version à conduit

Exemples et possibilités de positionnement des conduits

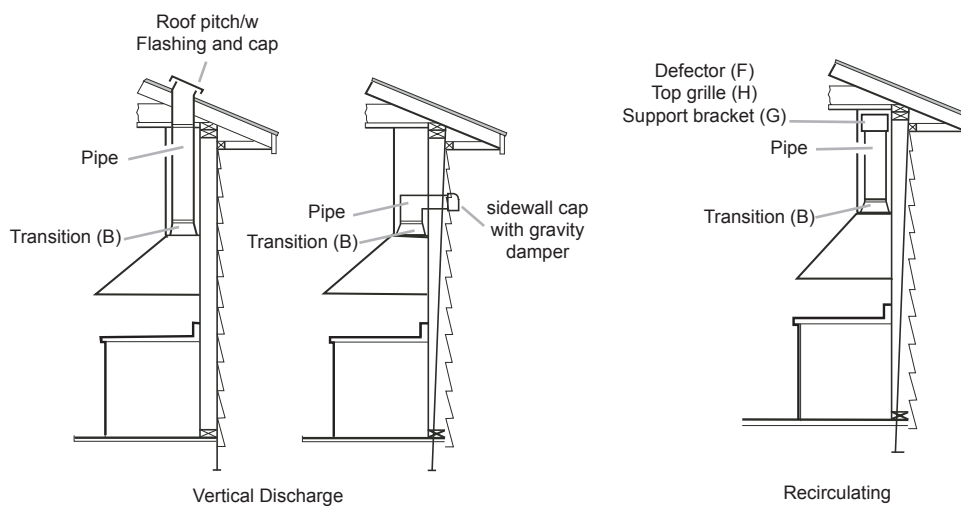
Suivez à la lettre les directives présentées dans ce manuel.

Le fabricant refuse toute responsabilité en ce qui a trait à tout préjudice, dommage ou incendie causé par la nonobservance des directives contenues dans le présent manuel.

Méthodes de ventilation

La hotte est dotée d'une **transition B** afin d'évacuer les vapeurs à l'extérieur (**version à conduit**).

S'il s'avère impossible d'évacuer la fumée et les vapeurs de cuisson à l'extérieur, il est possible de transformer la hotte en version **sans conduit (Recyclage)**. Fixer un filtre au charbon et le déflecteur **F** sur le **support de convercble de conduit G**. La fumée et la vapeur sont recyclées par la **grille supérieure H** par l'entremise d'un conduit raccordé à la transition B et à la transition montée sur le déflecteur **F**.



Préparation

Ne coupez pas une solive ou un montant à moins qu'il soit absolument nécessaire de la faire. Si vous devez couper une solive ou un montant, vous devez construire un cadre de soutien.

La quincaillerie fournie permet de fixer la hotte à la plupart des murs et des plafonds.

Vous devez cependant demander à un technicien qualifié de vérifier la solidité des matériaux selon le type de mur ou de plafond.

Avant de couper, assurez-vous qu'il y a un dégagement suffisant dans le plafond ou le mur pour passer la conduite de sortie.

Vous pouvez déterminer vous-même la hauteur à laquelle vous installez la hotte au dessus de la cuisinière. Plus la hotte est près de la cuisinière, plus elle est efficace à capter les odeurs de cuisson, la graisse et la fumée.

ATTENTION:

POUR 8' PLAFONDS: METTEZ LA HOTTE AFIN D'AVOIR ENTRE LE BORD INFÉRIEUR DE LA HOTTE ET LE PLAN DE CUISSON UNE DISTANCE DE 30" (76,2 CM).

POUR 9' PLAFONDS: METTEZ LA HOTTE AFIN D'AVOIR ENTRE LE BORD INFÉRIEUR DE LA HOTTE ET LE PLAN DE CUISSON UNE DISTANCE DE 36" (91,4 CM).

Vérifiez donc la hauteur de votre plafond et la hauteur maximum de la hotte avant de choisir votre modèle de hotte.

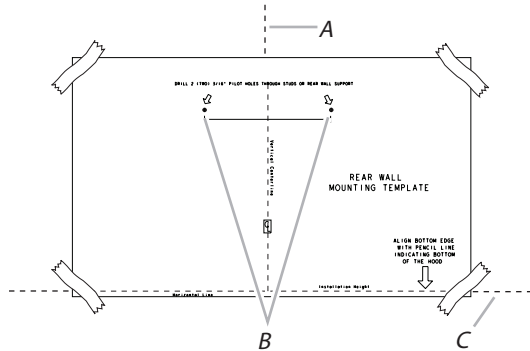
Installation

Installation - Version à conduit

- Il est recommandé d'installer le circuit d'évacuation avant de procéder à l'installation de la hotte.
- Avant d'exécuter les découpages, vérifier la disponibilité d'un dégagement suffisant dans le plafond ou le pour le conduit d'évacuation.
- Avant de sélectionner la hotte à installer, mesurer la hauteur libre sous plafond et la hauteur maximum disponible sous la hotte.
- Déconnecter la source de courant électrique.
- Déterminer la méthode d'évacuation à utiliser: décharge à travers le mur ou le toit, ou recyclage.
- Sélectionner une surface plane pour l'assemblage de la hotte. Placer le matériau de protection sur cette surface.
- À l'aide de deux personnes ou plus, soulever la hotte et la poser sur la surface couverte..

Installation des vis de montage de la hotte

- Déterminer et marquer la position de l'axe central sur le mur où la hotte sera installée.
- Fixer le gabarit en pace avec du ruban adhésif; aligner l'axe central du gabarit et bas du gabarit avec la ligne correspondant au bas de la hotte, et avec l'axe central déjà tracé sur le mur.

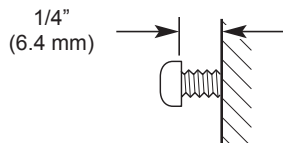


- A. Axe
- B. Emplacements des attaches
- C. Ligne de référence pour la hauteur de montage

- À l'aide du gabarit, marquer sur le mur le centre des attaches.

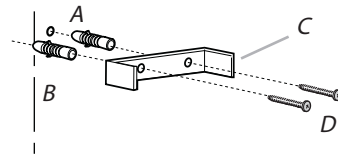
IMPORTANT: Toutes les vis doivent être vissées dans du bois. Si l'on ne peut pas visser les vis dans du bois, des tasseaux supplémentaires pour accrochage mural seront peut-être nécessaires.

- Retirer le gabarit.
- Percer des avant-trous de 3/16" (4.8 mm) à tous les emplacements de pose des vis dans du bois.
- Installer les 2 vis de montage de 5 X 45 mm. Laisser un espace de 1/4" (6.4 mm) entre la mur et l'arrière de la tête de vis pour faire glisser la hotte et la mettre en place.



Attacher les équerres au mur:

- Coloque el soporte de la cubierta del respiradero en la pared cerca de 1/8" (3.0m m) lejos del techo.
- Marque el lugar del agujero.
- Perfore 3/8" de los agujeros (9.5m m) para los taquetes de la pared y inserte los taquetes en la pared..

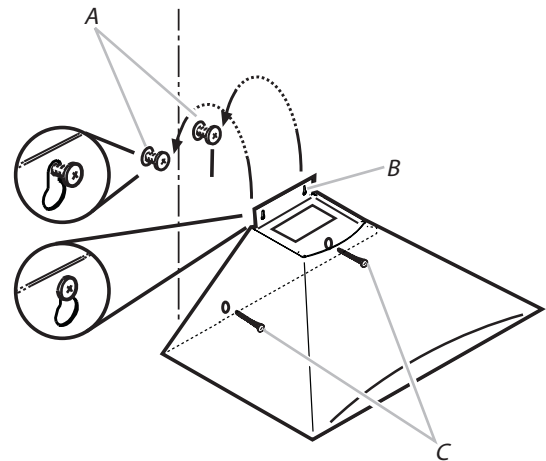


- A. Chevilles d'ancrage de 8 x 40 mm
- B. Axe central sur le mur
- C. Bride de support du cache-conduit
- D. Vis de 5 X 45 mm

- Fix la bride de support du cache-conduit au mur.

Monter la hotte

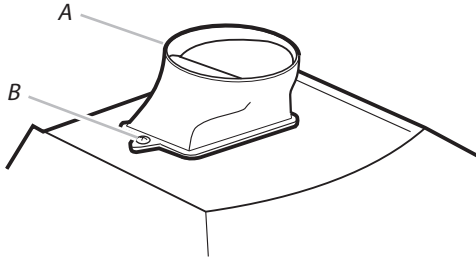
- À l'aide de deux personnes ou plus, suspendre la hotte aux 2 vis de montage, à travers les encoches de montage à l'arrière de la hotte.



- A. Vis de montage
- B. Encoches de montage
- C. Vis de montage inférieures

- Enlever les filtre anti-graisse et placer la hotte sur les vis supérieures.
- Mettre la hotte de niveau et serrer les vis de montage supérieures.
- Installer 2 vis de montage inférieures de 5 X 45 mm et serrer ensuite.

- Installer le raccord de transition au sommet de la hotte (s'il a été enlevé pour expédition), avec 2 vis de tôlerie de 3,5 X 6,5 mm).



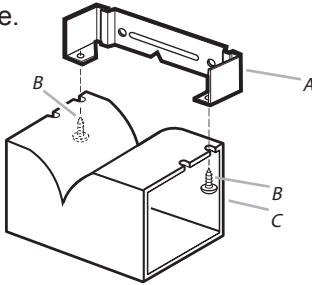
A. Raccord de transition
B. Vis 3.5 X 6.5 mm

Installations avec décharge à extérieur uniquement:

- Installer le circuit d'évacuation sur le raccord de transition.
- Serrer le point de connexion avec des brides de serrage.
- Vérifier que les clapets anti-reflux fonctionnent correctement.

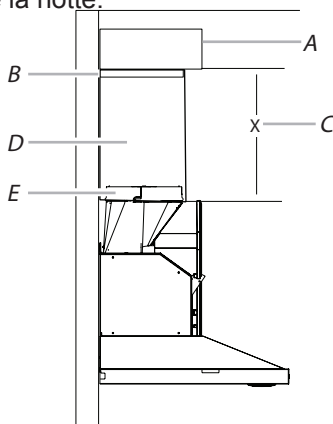
Installations sans décharge à l'extérieur (recyclage) uniquement:

- Assembler le déflecteur d'air et la bride de cache-conduit à l'aide des 2 vis d'assemblage fournies avec l'ensemble de recyclage.



A. Bride de cache-conduit
B. Vis 2.9 X 6.5 mm
C. Déflecteur

Mesurer la distance entre le bas du déflecteur d'air et le bas de la sortie de la hotte.



A. Déflecteur d'air
B. Bride de conduit
C. X = longueur à laquelle couper le conduit d'évacuation
D. Conduit d'évacuation
E. Sortie d'évacuation

- Tailler le conduit à la taille mesurée (X).
- Retirer le déflecteur d'air.
- Faire coulisser le conduit sur le bas du déflecteur d'air.
- Placer le déflecteur d'air et le conduit assemblés sur la sortie d'évacuation de la hotte.
- Réassembler le déflecteur d'air sur la bride de cache-conduit à l'aide des 2 vis d'assemblage.
- Assurer l'étanchéité des raccordements avec une bride de conduit.

AVERTISSEMENT: Plug into a grounded 3 prong outlet.

Ne pas enlever la broche de liaison à la terre.

Ne pas utiliser un adaptateur.

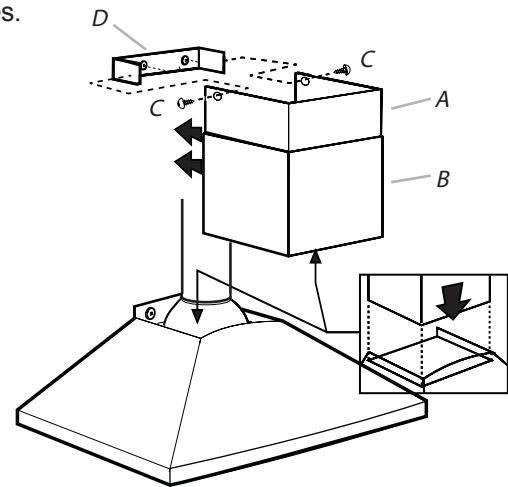
Ne pas utiliser un câble de rallonge.

Le non-respect de ces instructions peut causer un décès, un incendie ou un choc électrique.

Monter le conduit de cheminée

En cas d'utilisation des sections supérieure et inférieure de cache-conduit, pousser la section inférieure vers le bas, sur la hotte et soulever la section supérieure vers le plafond pour installer à l'aide des deux vis de 2,9 X 6,5 mm.

REMARQUE: Pour les installations avec décharge à l'extérieur, le cache-conduit supérieur peut être inversé pour dissimuler les fentes.



A. Cache-conduit - section supérieure
B. Cache-conduit - section inférieure
C. Vis de 2.9 X 6.5 mm
D. Bride

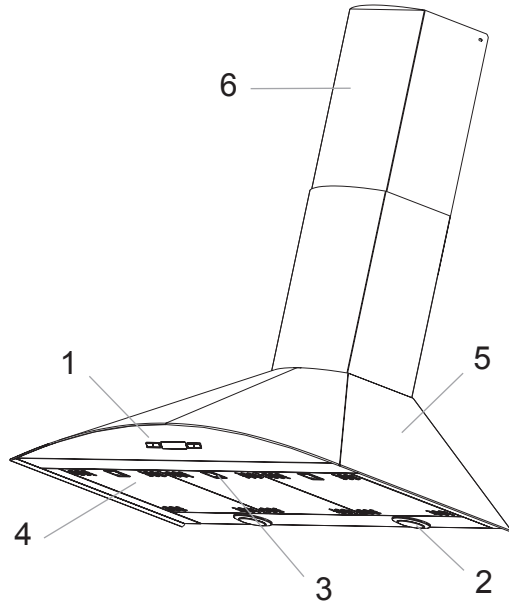
Achever l'installation

Pour les installations sans décharge à l'extérieur (recyclage) uniquement, installer les filtres à charbon sur la grille du logement du ventilateur.

Installer les filtres métalliques.

Contrôler le fonctionnement du ventilateur de la hotte et de la lampe.

Description de la hotte et des commandes



1. Contrôles soufflerie et lumières
2. Emplacements des ampoules
3. Poignée filtre anti-graisse
4. Filtre anti-graisse
5. Converture
6. Conduit de cheminée

Commandes

Utiliser la puissance d'aspiration maximum en cas de concentration très importante des vapeurs de cuisson. Nous conseillons d'allumer le dispositif d'aspiration 5 minutes avant de commencer la cuisson et de le faire fonctionner encore pendant 15 minutes environ après avoir terminé la cuisson.
Remarque: La hotte enregistre la dernière vitesse lorsque l'aspiration est coupée.

Description du panneau de commandes



1. Touche Lumière

- Appuyer sur la touche pour allumer la lumière "haute intensité" (état précédent lumière OFF).
- Appuyer sur la touche pour allumer la lumière "basse intensité" (état précédent lumière ON).
- Appuyer sur la touche pour éteindre la lumière (état précédent lumière ON).

2. Touche Timer

- Le réglage par défaut du timer est de 10 minutes et il peut être ajusté entre 60 minutes et 1 minute.
- Le temps programmé par défaut est de 10 minutes et il peut être ajusté entre 1 minute et 60 minutes.
- Après avoir appuyé sur la touche "Timer", le système entre dans la modalité de réglage et l'utilisateur peut régler le temps de compte à rebours du timer en utilisant les touches "+" et "-" dans les 5 secondes.
- Si aucun réglage n'est effectué dans les 5 secondes suivant la sélection de la fonction "Timer" ou le réglage du temps, le compte à rebours commence.
- Durant le setup du "Timer", les touches "+" et "-" sont dédiées à la temporisation et ne font pas varier la vitesse du moteur.

3. Display

- Montre l'état de la hotte.
- Quand la hotte n'est pas en fonction, le display s'allume à faible intensité. En appuyant sur n'importe quelle touche, le display s'allume à forte intensité.
- Quand la hotte est en fonction, le display s'allume à forte intensité.
Si aucune touche n'est enfoncée pendant 1 minute, le display s'allume de nouveau à faible intensité.

4. "-" Touche diminution vitesse / OFF

- Cette touche est utilisée pour diminuer la vitesse du moteur et pour éteindre la hotte.
- Le moteur s'éteint en appuyant sur la touche "-" si la hotte se trouve à la première vitesse.
- Si le moteur se trouve à la deuxième vitesse et si l'on appuie sur la touche "-", le moteur passe à la première vitesse.
- Si le moteur se trouve à la quatrième vitesse et si l'on appuie sur la touche "-", le moteur passe à la troisième vitesse.

5. "+" Button Touche augmentation vitesse / ON

- Cette touche est utilisée pour augmenter la vitesse du moteur et pour allumer la hotte.
- Le moteur s'allume en appuyant sur la touche "+" si la hotte se trouve en OFF.
- Si le moteur se trouve à la première vitesse et si l'on appuie sur la touche "+", le moteur passe à la deuxième vitesse.
- Si le moteur se trouve à la deuxième vitesse et si l'on appuie sur la touche "+", le moteur passe à la troisième vitesse.
- Si le moteur se trouve à la troisième vitesse et si l'on appuie sur la touche "+", le moteur passe à la quatrième vitesse.
- Si le moteur se trouve à la quatrième vitesse et si l'on appuie sur la touche "+", un beep est émis.

Programmation Horloge

- L'horloge peut être réglée à tout moment à l'exception de quand la fonction timer est activée.
- L'horloge peut être visualisée dans le format 12 heures avec un temps de visualisation compris entre 1:00 et 12:59.
- L'horloge peut être réglée en appuyant sur la touche "Timer" pendant 3 secondes, en agissant successivement sur les touches "+" et "-" pour régler l'heure.
- L'utilisateur peut augmenter/diminuer l'heure par pas d'1 minut, mais si la pression des touche "+"/"-" est de plus d'une seconde, l'augmentation/diminution se fera par 5 minutes.
- L'utilisateur peut terminer la phase de réglage de l'heure en appuyant sur la touche "Timer".
- Après 1 minute sans avoir appuyé sur aucune touche, le contrôle accepte la valeur réglée et ajoute 1 minute à celle-ci et commence à compter.

Signal saturation Filtres anti-graisses (En Option)

- Après 40 heures de fonctionnement du moteur, apparaît sur le display l'indication "Grease Filter" si le moteur est allumé.
Quand ce signal apparaît sur le display, le filtre installé doit être lavé.
- Pour remettre à zéro le signal de saturation des filtres, l'utilisateur doit appuyer sur la touche "+" pendant 5 secondes, après quoi, le signal "Grease Filter" disparaît et le display montre l'état de fonctionnement.

Signal saturation Filtre au Carbone (En Option)

- Après 120 heures de fonctionnement du moteur, apparaît sur le display l'indication "Charcoal Filter" si le moteur est allumé. Quand ce signal apparaît sur le display, le filtre à charbon installé doit être remplacé ou réactivé.
- Pour remettre à zéro le signal de saturation des filtres, l'utilisateur doit appuyer sur la touche "-" pendant 5 secondes, après quoi, le signal "Charcoal Filter" disparaît et le display montre l'état de fonctionnement.

Activation/Désactivation signal acoustique

- Les signaux sonores peuvent être activés ou désactivés en appuyant sur la touche "Lumière" pendant 5 secondes.
- Si le signal sonore est activé, un son est émis et le symbole "Snd" doit apparaître sur le display pendant 3 secondes.
- Si le signal sonore est désactivé, le symbole "Snd" doit apparaître sur le display pendant 3 secondes et aucun son ne doit être émis.

Activation/Désactivation signal Filtre Charbon (version Filtrante)

- L'activation et la désactivation du signal saturation filtre charbon peut être réglé en appuyant simultanément pendant 5 secondes sur les touches "-" e "+".
- L'activation ou la désactivation doit être réglée avec moteur et lampes OFF.
- Quand le signal Filtre Charbon est désactivé, l'alarme est désahabilitée.

Heat sensor

- La hotte est équipée d'un détecteur de température qui active le moteur en troisième vitesse dans le cas où la température de la zone environnante soit trop élevée (supérieure à 149° F ou 65° C).
- Si le moteur est OFF ou en première vitesse, et si l'alarme intervient, le moteur se positionne automatiquement à la troisième vitesse et sur le display apparaîtra le signal "CarE".
- Durant cet état, l'utilisateur peut uniquement augmenter la vitesse du moteur.
- Quand la température retourne sous le seuil d'alarme, le moteur retourne dans sa condition précédente à l'alarme.

Entretien

ATTENTION! Avant toute opération de nettoyage ou d'entretien, débrancher la hotte du circuit électrique en enlevant la prise ou en coupant l'interrupteur général de l'habitation.

Nettoyage

Ne pas vaporiser de nettoyeurs directement sur le panneau de contrôle lors du nettoyage de la hotte:

La hotte doit être régulièrement nettoyée à l'intérieur et à l'extérieur (au moins à la même fréquence que pour l'entretien des filtres à graisse). Pour le nettoyage, utiliser un chiffon humidifié avec un détergent liquide neutre. Ne pas utiliser de produit contenant des abrasifs.

NE PAS UTILISER D'ALCOOL!

ATTENTION:

Il y a risque d'incendie si vous ne respectez pas les instructions concernant le nettoyage de l'appareil et le remplacement ou le nettoyage du filtre.

La responsabilité du constructeur ne peut en aucun cas être engagée dans le cas d'un endommagement du moteur ou d'incendie liés à un entretien négligé ou non respect des consignes de sécurité précédemment mentionnées.

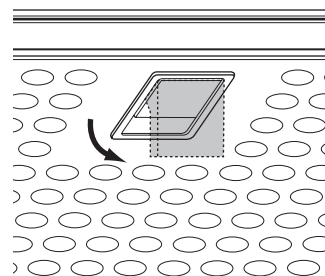
Filtre à graisse

Il retient les particules de graisse issues de la cuisson.

Le filtre doit être nettoyé une fois par mois avec des détergents non agressifs, à la main ou dans le lave-vaisselle à faibles températures et cycle rapide.

Le lavage du filtre anti-graisse métallique au lave-vaisselle peut en provoquer la décoloration. Toutefois, les caractéristiques de filtrage ne seront en aucun cas modifiées.

Pour démonter le filtre anti-graisse, tirer la poignée de décrochement à ressort.

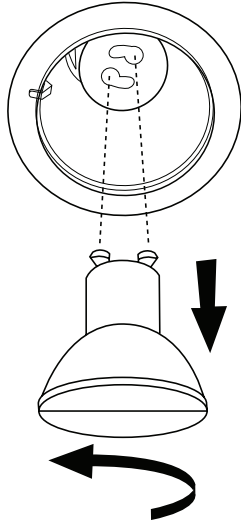


Remplacement des ampoules

ATTENTION

Avant de remplacer les lampes, couper le courant au niveau de la boîte à fusible et verrouiller cette dernière pour prévenir tout risque qu'on remette le courant accidentellement.

NOTE: Couper l'aspiration et les lampes. Laisser les lampes refroidir avant de les manipuler. Si les nouvelles ampoules ne fonctionnent avant d'appeler le service clientèle.



Remplacer les ampoules

- Enlever l'ampoule défectueuse (tourner dans le sens inverse des aiguilles d'une montre) et la remplacer avec une nouvelle ampoule halogène de 120 Volt, 50 Watt (maximum), 50° prévue pour une base GU10, et convenant pour une utilisation dans les lampadaires.

Filtres à charbon

Si le système n'a pas d'évacuation vers l'extérieur, l'air va circuler à travers des filtres à charbon jetables qui vont aider à éliminer fumée et odeurs.

Les filtres à charbon ne doivent pas être nettoyés.

Ils doivent être remplacés.

Posez le filtre à charbon comme couverture de la grille qui protège le moteur aspirant de manière que les fentes présentes sur le filtre correspondent aux pivots sur les côtés de la grille protège-moteur.

Tournez le filtre à charbon dans le sens de aiguilles d'une montre pour le bloquer (fixation à baïonnette).

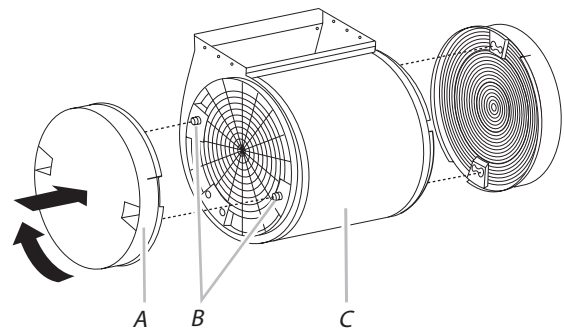
Les filtres à charbon doivent être remplacés après 4 à 6 mois en fonction de l'utilisation de la hotte.

NOTE: NE PAS rincer, ou mettre les filtres à charbon au lave-vaisselle.

NOTE: Les filtres à charbon NE sont PAS inclus dans la hotte.

Ils doivent être commandés chez votre revendeur.

Commander le kit nécessaire en spécifiant votre modèle de hotte et sa largeur.



A. Filtre à charbon

B. Tiges

C. Moteur du ventilateur

Garantie

GARANTIE DE DEUX ANS **ELICA North America**

POUR OBTENIR UN DEPANNAGE SOUS GARANTIE

Le propriétaire doit présenter une preuve de la date d'achat. Garder une copie de votre preuve d'achat datée (ticket de caisse) de façon à pouvoir bénéficier du service après-vente sous garantie.

GARANTIE PIÈCES DE RECHANGE ET MAIN D'OEUVRE.

Pendant une période de deux années (2) à partir de la date d'achat, Elica s'engage à fournir gratuitement les pièces de rechange ou les composants autres que les recharges ayant des défauts de fabrication.

Durant cette garantie de deux années (2), Elica fournira également gratuitement, toute la main d'oeuvre et le service à domicile pour remplacer d'éventuelles pièces défectueuses.

CE QUE LA GARANTIE NE COUVRE PAS

- Dégât ou panne du produit causé par un accident ou un cas de force majeure tels que inondation, incendie ou tremblement de terre.
- Dégât ou panne du produit causé par modification du produit ou utilisation de pièces pas d'origine.
- Dégât ou panne du produit causé lors de la livraison, de la manipulation ou de l'installation.
- Dégât ou panne du produit causé par une mauvaise utilisation.
- Dégât ou panne du produit causé par un remplacement des fusibles ou une remise en fonction des disjoncteurs par le propriétaire.
- Dégât ou panne du produit causé par une utilisation du produit pour raison commerciale.
- Déplacement à domicile pour explication d'utilisation ou d'entretien.
- Ampoules, filtres métalliques ou au charbon et toute autre pièces consommable.
- Usure normale.
- Usure due à une mauvaise utilisation du propriétaire, un entretien incorrect, une utilisation de substances nettoyantes corrosives ou abrasives et produits de nettoyage pour four.

QUI EST COUVERT

Cette garantie s'étend à l'acheteur original de produits achetés pour un usage domestique habituel en Amérique du Nord (Y compris États Unis, Guam, Porto Rico, les Îles vierges Américaines & le Canada).

Cette garantie n'est pas transférable et vaut uniquement pour l'acheteur original et ne s'étend pas aux propriétaires successifs du produit. Cette garantie vaut expressément en lieu et place de toute autre garantie, expresse ou sous-entendue, mais ne limite pas toute autre garantie sous-entendue de marchandage ou adaptation dans un but particulier et toute autre obligation de la part de Elica North America, étant entendu, cependant, que si la réclamation pour garanties sous-entendues n'est pas applicable aux yeux de la loi en vigueur, la durée de toute garantie sous-entendue émanant de la loi doit être limitée à deux (2) années à partir de la date d'achat du produit ou à une période plus longue selon ce que dit la loi en vigueur.

Cette garantie ne couvre pas tout dégât particulier, accidentel et/ou consécutif, ni les pertes et profits, à charge du propriétaire, des ses clients et/ou des utilisateurs Des produits.

QUI CONTACTER

Pour obtenir un Service Après-vente durant la Garantie ou pour toute autre Question liée au Service Après-vente

Appeler:

- Service Après- vente autorisé Elica North America au (888) 732-8018

Ou écrire à:

- Ellica North America, A l'Attention du Service Client, 222 Merchandise Mart Plaza Suite 947, Chicago, IL 60654 USA

infoamericas@elica.com

Contenido

Aviso de seguridad importante29

Requisitos eléctricos y de instalación30

Requisitos eléctricos30

Conexión Eléctrica31

Lista de materiales32

Piezas suministradas32

Piezas no suministradas32

Dimensiones y Espacios libres33

Tipos de ductos y ejemplos34

Métodos de ventilación34

Preparación34

Instalación35

Instalación con tubos35

Descripción de la campana y los controles37

Controles37

Mantenimiento38

Limpieza38

Filtro contra la grasa38

Sustitución de la bombilla39

Filtro de carbón39

Garantía40

**APROBADO PARA APARATOS DE USO DOMÉSTICO
SÓLO PARA USO DOMÉSTICO
LEA Y GUARDE ESTAS INSTRUCCIONES**

ANTES DE CONTINUAR, LEA LAS INSTRUCCIONES POR COMPLETO.

LA INSTALACIÓN DEBE CUMPLIR TODA LA NORMATIVA LOCAL.

IMPORTANTE: guarde estas instrucciones para su uso por parte del inspector de electricidad local.

INSTALADOR: entregue al propietario estas instrucciones junto con la unidad.

PROPIETARIO: conserve estas instrucciones para futuras consultas.

Advertencia de seguridad: antes de realizar el cableado de este aparato, desactive el circuito de energía eléctrica en el panel de servicio y desbloquee el panel.

Requisito: Circuito auxiliar de CA de 120 V, 60 Hz, 15 ó 20 A.

LEA Y GUARDE ESTAS INSTRUCCIONES

Aviso de seguridad importante

PRECAUCIÓN

SOLO PARA USO DE VENTILACIÓN GENERAL NO UTILIZAR PARA EXPLULSAR VAPORES O MATERIALES PELIGROSOS O EXPLOSIVOS.

ADVERTENCIA

PARA REDUCIR EL RIESGO DE FUEGO, DESCARGA ELÉCTRICA O LESIONES PERSONALES, RESPETE LO SIGUIENTE:

A. Utilice esta unidad solamente en el modo que indica el fabricante. En caso de duda, póngase en contacto con el fabricante.

B. Antes de reparar o limpiar la unidad, desconecte la alimentación en el panel de servicio y bloquee los medios de desconexión del panel de servicio para evitarla conexión accidental de la alimentación. Si no es posible bloquear los medios de desconexión del panel de servicio, coloque un dispositivo de advertencia que destaque como, por ejemplo, una etiqueta, en el panel de servicio.

C. La instalación y cableado eléctrico deben realizarlos personas calificadas de acuerdo a las normativas y los estándares aplicables, incluida la construcción ignífuga.

D. Es necesaria una ventilación suficiente para la correcta combustión y expulsión de gases por la salida de humos (Chimenea) del equipo de combustión de carburante para evitar el contratito. Siga las directrices de fabricantes de equipos de calefacción y los estándares de seguridad como los publicados por la National Fire Protection Association (NFPA), American Society for Heating, Refrigeration and Air Conditioning Engineers (ASHRAE) y las normativas locales.

E. Al efectuar orificios en una pared o techo, no dañe el cableado eléctrico y otras instalaciones ocultas.

F. Los sistemas instalados mediante conducto deben tener ventilación con salida al exterior.

PRECAUCIÓN

Para reducir el riesgo de fuego y conseguir una salida del aire correcta, asegúrese de conducir el aire el aire hacia el exterior. No permita que el aire se expulse en espacios situados en el interior de muros, techos, desvanes, sótanos de pequeña altura o garajes.

ADVERTENCIA

PARA REDUCIR EL RIESGO DE FUEGO, UTILICE SOLAMENTE TUBOS METÁLICOS.

Instale esta campana de acuerdo con los requisitos especificados.

ADVERTENCIA

Para reducir el riesgo de fuego o descarga eléctrica, no utilice esta campana con ningún dispositivo externo en estado sólido para el control de la velocidad.

ADVERTENCIA

PARA REDUCIR EL RIESGO DE INCENDIO OCASIONADO POR GRASA:

- a) No deje nunca ninguna unidad externa desatendida y con valores de fuego alto. La cocción puede causar humo o reboses de grasa que pueden prender fuego. Caliente el aceite a fuego lento o medio.

- b) Encienda siempre la campana cuando cocine a una temperatura alta o cuando realice flameados (Por ejemplo, crepes Suzette, cereza flameada, ternera a la pimienta flameada).
- c) Limpie con frecuencia los ventiladores. No permita que la grasa se acumule en el ventilador o filtro.
- d) Utilice un tamaño de sartén adecuado. Utilice siempre piezas de batería de cocina adecuadas al tamaño del elemento de superficie.

ADVERTENCIA

PARA REDUCIR EL RIESGO DE LESIONES PERSONALES, EN CASO DE FUEGO OCASIONADO POR GRASA, TENGA EN CUENTA LO SIGUIENTE.

- a) **EXTINGA LAS LLAMAS** con una tapa ajustada, una láminapara hacer galletas u otro tipo de bandeja metálica y apague el quemador de gas o elemento eléctrico. **TENGA CUIDADO PARA EVITAR QUEMADURAS.** Si las llamas no se extinguen inmediatamente, **DESALOJE EL LUGAR Y LLAME A LOS BOMBEROS.**
- b) **NUNCA TOME UNA SARTÉN EN LLAMAS**, podría sufrir quemaduras.
- c) **NO UTILICE AGUA**, incluidas bayetas o toallas húmedas ya que se produciría una violenta explosión de vapor.
- d) Utilice un extintor **SÓLO** si:
 - 1) Sabe que dispone de un extintor de clase ABC y conoce su funcionamiento.
 - 2) El fuego es pequeño y se encuentra en la misma zona donde se inicio.
 - 3) Ha llamado a los bomberos.
 - 4) Puede luchar contra el fuego teniendo una salida a su espalda.

FUNCIONAMIENTO

- a. Coloque siempre las rejillas y los filtros de seguridad en su lugar correspondiente. Sin estos componentes, los ventiladores en funcionamiento podrían atrapar su pelo, sus dedos o su ropa.

El fabricante declina toda responsabilidad en caso de fallo de cumplimiento de las instrucciones aquí facilitadas para la instalación, el mantenimiento y el uso adecuado del producto. El fabricante declina además toda responsabilidad por daños ocasionados por negligencia y la garantía de la unidad queda cancelada automáticamente como consecuencia de un mantenimiento incorrecto.

PRECAUCIÓN

Equipo Operado Automáticamente - Para Reducir El Riesgo De Lastimarse Desconecte De La Línea Antes De Dar Servicio.

Requisitos eléctricos y de instalación

Requisitos eléctricos

IMPORTANTE

Cumpla todas las normativas y ordenanzas gubernamentales.

Es responsabilidad del cliente:

Ponerse en contacto con un instalador eléctrico cualificado. Asegurese de que la instalación eléctrica es adecuada y en conformidad con National Electrical Code, ANSI/NFPA 70 (última edición*) o CSA Standards C22.1-94, Canadian Electrical Code, Parte 1 y C22.2 No. 0-M91 (última edición*) y toda la normativa y las ordenanzas locales.

Si la normativa lo permite y se utiliza un cable de toma a tierra independiente, se recomienda que un electricista calificado determine si la difracción de onda de tierra es la adecuada.

No ubique la toma a tierra en una tubería de gas

Si no está seguro de que la campana está correctamente conectada a tierra, consulte a un electricista calificado.

No coloque ningún fusible en el circuito neutral o con vuelta por tierra.

IMPORTANTE

Guarde las instrucciones de instalación para su uso por parte del inspector de electricidad.

La campana debe estar conectada únicamente con hilo cobre.

La campana debe estar conectada directamente al desconectador con fusible (o disyuntor) mediante conal metálico de cables eléctricos.

Los tamaños de cable deben cumplir los requisitos de la National Electrical Code, ANSI/NFPA 70 (última edición*) o CSA Standards C22.1-94, Canadian Electrical Code, Parte 1 y C22.2 No. 0-M91 (última edición*) y toda la normativa y las ordenanzas locales.

Es preciso colocar un conector de canal de cables enumerado en U.L. o C.S.A. en cada extremo del canal de cables de fuente de alimentación (En la campana y en la caja de conexiones).

Se pueden obtener copias de los estándares enumerados en:

* National Fire Protection Association Batterymarch Park Quincy, Massachusetts 02269

** CSA International 8501 East Pleasant Valley Road Cleveland, Ohio 44131-5575

Antes de instalar la campana

1. Para obtener una circulación del flujo de aire más eficaz, utilice un tubo de tramo recto o el número posible de tubos acodados. **PRECAUCIÓN** : el conducto de ventilación solamente debe tener salida hacia la parte exterior del edificio.
2. Para realizar la instalación, se necesitan al menos dos personas.
3. La campana se ajusta mediante material adecuados para la mayoría de superficies; consulte a un instalador calificado para comprobar si quedan perfectamente ajustados al armario o a la pared.
4. No emplee tubos flexibles.
5. Las instalaciones en **CONDICIONES CLIMÁTICAS FRÍAS** deben tener instalado un regulador de contrato adicional para minimizar el flujo de aire inverso y una rotura térmica no metálica para minimizar la conducción de temperaturas externas como parte de los tubos. El regulador debe encontrarse en la parte de aire frío de la rotura térmica. La rotura debe estar lo más cerca posible al lugar donde los tubos entran en la parte caliente de la casa.
6. Aire limpio: las normativas locales para edificios pueden requerir el uso de sistemas de aire limpio cuando se utilizan sistemas de ventilación mediante tubos superiores al CFM especificados de movimiento de aire. El CFM especificado varía de una zona a otra. Para conocer los requisitos específicos de su zona, consulte a un profesional de HVAC.

Remoción de empaque

PRECAUCIÓN

Quite la caja cuidadosamente, use guantes para protegerse contra los bordes afilados.

ADVERTENCIA

Quite la película de protección que cubre el producto antes de ponerlo en funcionamiento.

Conexión Eléctrica

ADVERTENCIA

PELIGRO DE CHOQUE ELÉCTRICO

Enchufe en una toma de tierra de 3 puntas.

No quite contacto a tierra.

No use un adaptador.

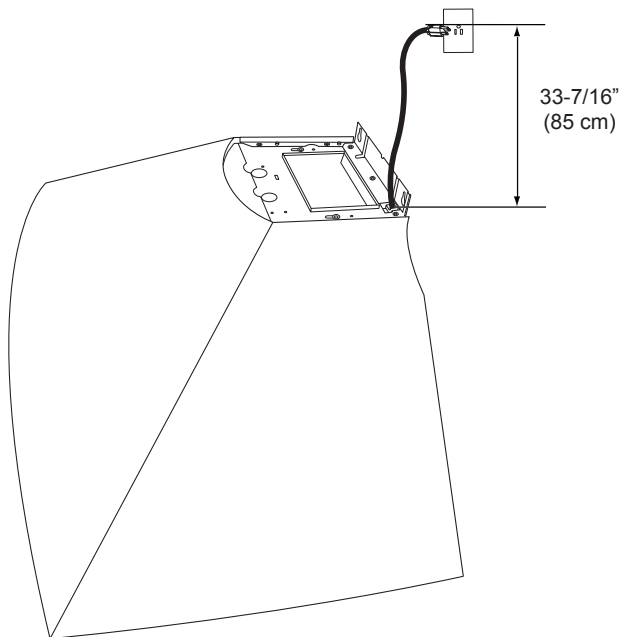
No utilice un cable de extensión.

El incumplimiento de estas instrucciones puede ocasionar la muerte, un incendio o una descarga eléctrica.

Esta campana de la cocina está equipada con un cable de alimentación con un enchufe de puesta a tierra 3.

Para minimizar el peligro de choque de lo posible, el cable debe estar conectado a una estera, 3 prog, toma a tierra de tipo, a tierra de acuerdo con los códigos y ordenanzas locales. Si una estación de acoplamiento no está disponible, es la responsabilidad personal y la obligación de que el cliente dispone de la conexión propely tierra intalled por un electrician cualificada.

La toma de tierra de 3 puntas se encuentra por encima de la campana a una distancia máxima de 33-7/16" (85,0 cm), desde donde sale el cable de alimentación de la campana. Ver Ilustración.



INSTRUCCIONES DE CONEXIÓN A TIERRA

- Por tierra, cable con conexión de campana:

Esta campana debe ser conectada a tierra. En el caso de un cortocircuito eléctrico, la tierra reduce el riesgo de choque eléctrico proporcionando una fuga para la corriente eléctrica.

Esta campana de la cocina está equipada con un cable que tiene un alambre de tierra con un enchufe de puesta a tierra. El enchufe debe estar enchufado en un tomacorriente que esté correctamente instalado y conectado a tierra.

ADVERTENCIA: conexión a tierra incorrecta puede resultar en un riesgo de descarga eléctrica.

Consulte con un calificado eléctrica si las instrucciones de puesta a tierra no se entienden completamente, o si existen dudas sobre si la campana es propely tierra.

No use un cord.if extensión del cable de alimentación es demasiado corto, que un electricista calificado instale una toma de corriente cerca de la campana de la cocina

Lista de materiales

Piezas suministradas

Remoción de empaque

PRECAUCIÓN:

Quite la caja cuidadosamente, use guantes para protegerse contra los bordes afilados.

ADVERTENCIA

Quite la película de protección que cubre el producto antes de ponerlo en funcionamiento.

- Campana con ventilador (extractor), conexión.
- Lámpara ya instalada.
- Filtro anti-grasa.
- Cabierto conducto.
- Bolsa plástica con el siguiente contenido:
 - Plantilla
 - Soporte cubierta conducto (1 pieza)
 - Guía de Uso, Cuidado e Instalación
 - Tornillos para madera (6 piezas - 3/16" x 1"3/4)
 - Accesorio de la campana perno de anclaje (taquetes) (6 piezas - 1/8" x 3/8")
 - Tornillos de montaje (4 piezas)

Piezas no suministradas

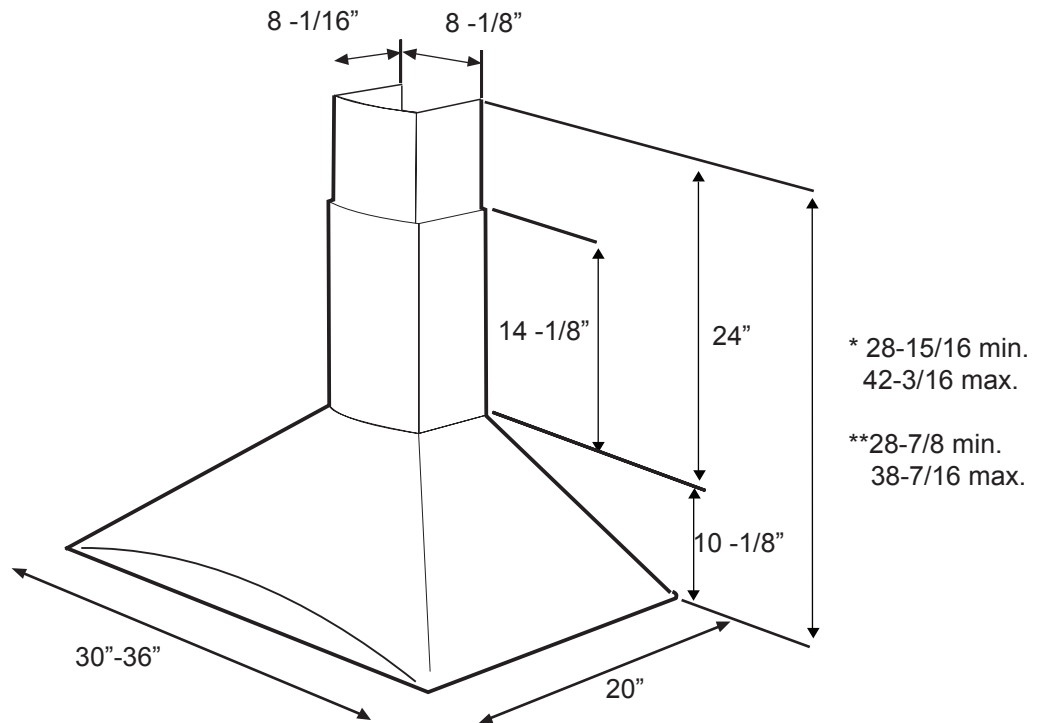
Accesorios Opcionales

- **Kit de conversión sin tubos**
solamente se puede utilizar en la **versión sin tubos (RECIRCULANTE)**
incluye: filtro de carbón vegetal, soporte y abrazadera de sujeción de filtro de carbón vegetal, deflector.

Herramientas/Materiales necesarias

- Tapones de cable
- Cinta para montar la plantilla
- Conducto redondo de 8"
La longitud debe ser de acuerdo a la instalación
- Cinta Métrica
- Cutter
- Pinzas para cortar y pelar cable
- Nivel
- Alicantes
- Cinta de aislar
- Lentes de seguridad
- Masking tape
- Martillo
- Destornilladores: Philips (Posidrive) # Torx "2
- Taladro con brocas. 5/16" y 3/8"
- Guantes de protección
- Retén de cable
- Cladora o Taladro

Dimensiones y Espacios libres



*Solamente en la versión sin tubos (Recirculación)

**Solamente en la versión con tubos

Tipos de ductos y ejemplos

Siga detenidamente las instrucciones expuestas en este manual.

Se declina toda responsabilidad de cualquier inconveniencia, daños o incendios eventuales ocasionados por el incumplimiento de las instrucciones de este manual.

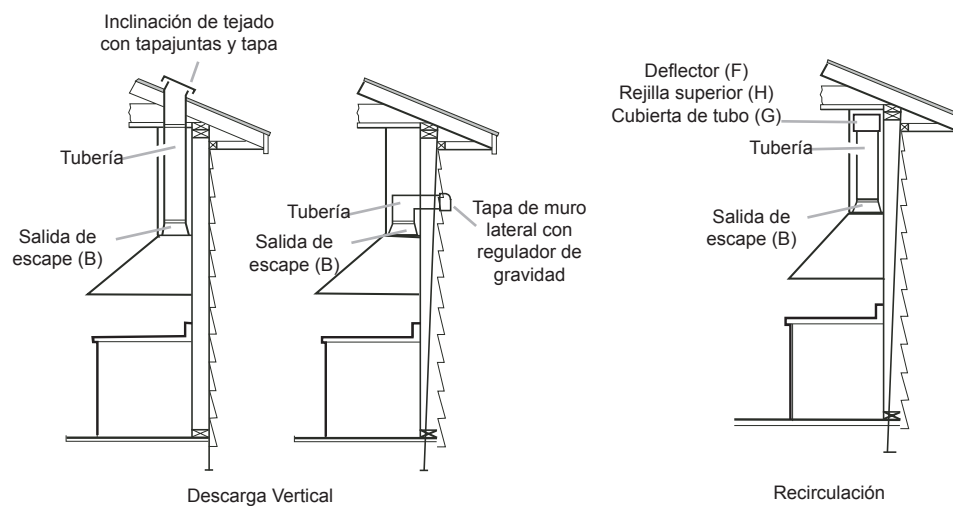
Métodos de ventilación

La campana está equipada con una **salida de escape B** para la descarga de gases al exterior (**Versión con tubos**).

En caso de que no sea posible la descarga de gases y del vapor procedentes de la cocina al exterior, la campana se puede utilizar en la **versión sin tubos (Recirculación)**. Coloque un **filtro de carbono** activado y el **deflector F** en el soporte de sujeción de la **cubierta de tubo G**. Los gases y vapores se reciclan a través de la **rejilla superior H** mediante un conducto conectado al cambio de sección B y el cambio de sección montado en el deflector **F**.

NOTA. Sólo para versión sin tubos (Recirculación): adquiera el kit de conversión sin tubos.

Tamaño mínimo de tubo (Versión con o sin tubos). Tubería redonda de 8".



Preparación

No corte una vigueta o un perno a menos que sea absolutamente necesario. Si fuera necesario efectuar el corte, deberá construirse un marco de soporte.

Se suministra el material de ajuste necesario para fijar la campana a la mayoría de tipos de muro o techo.

No obstante, un técnico calificado debe comprobar la idoneidad de los materiales de acuerdo con el tipo de muro o techo.

Antes de efectuar ningún corte, asegúrese de que existe el espacio adecuado en el techo o muro para la expulsión del aire.

La referencia de la altura de instalación de la campana de los usuarios es por encima de la cocina. Cuando más cerca esté la campana de la cocina, más eficaz resultará la captura de olores, grasa y humos.

PRECAUCIÓN:

PARA TECHOS DE 8' : INSTALE ESTA CAMPANA DE TAL MANERA QUE LA CORNISA INFERIOR SE ENCUENTRE A 30" (76,2 CM) SOBRE LA SUPERFICIE DE COCCION.

PARA TECHOS DE 9' : INSTALE ESTA CAMPANA DE TAL MANERA QUE LA CORNISA INFERIOR SE ENCUENTRE A 36" (91,4 CM) SOBRE LA SUPERFICIE DE COCCION.

Antes de seleccionar la campana, compruebe la altura del techo y la altura máxima de la campana.

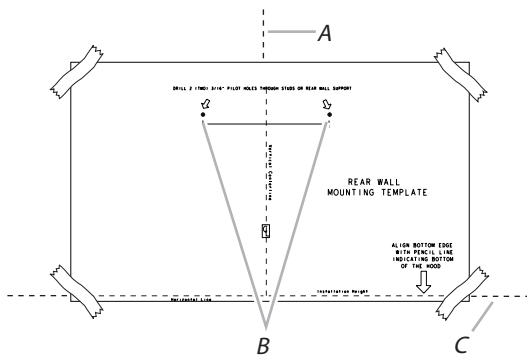
Instalación

Instalación - Versión con tubos

- Se recomienda que el sistema de ventilación se instale antes de que la campana sea instalada.
- Antes de hacer recortes, asegúrese de que hay espacio adecuado en el techo o la pared para escape de aire.
- Compruebe su altura del techo y la altura máxima del campana antes de seleccionar su campana.
- Desconecte la alimentación.
- Determine el método de ventilación a utilizar: techo, pared, o sin ventilación
- Seleccione una superficie plana para el montaje de la campana de la cocina. Evite de contemplar más de la superficie.
- Use 2 o más personas, para ventar y posicionar la campana.

Campana de extracción de montaje de tornillos de instalación

- Determinar y marca la línea central en la pared donde se instalará la campana.
- Coloque la plantilla de manera que coincida con la línea central y la parte inferior de la campana.



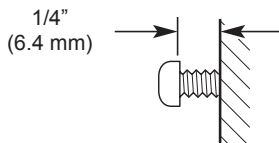
- A. Línea
- B. Localización de orificios
- C. Línea de referencia para el montaje

- Marque sobre la plantilla la localización de los orificios en la pared.

IMPORTANTE: Todos los tornillos deben estar instalados en la madera, si no hay madera para atornillar, puede requerir adicional algún apoyo.

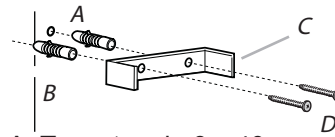
Retire la plantilla.

- Taladro 3 / 16 "(4,8 mm) realice orificios en todos los lugares donde se instalan los tornillos en la madera.
- Instale el 2 de 5 X 45 mm tornillos de montaje. Deje un 1 / 4 "(6,4 mm) de distancia entre la pared y la parte posterior de la cabeza del tornillo para que se deslice campana en su lugar.



Asegure el soporte de pared:

- Coloque el soporte de la cubierta del respiradero en la pared cerca de 1/8" (3.0m m) lejos del techo.
- Marque el lugar del agujero.
- Perfore 3/8" de los agujeros (9.5m m) para los taquetes de la pared y inserte los taquetes en la pared.

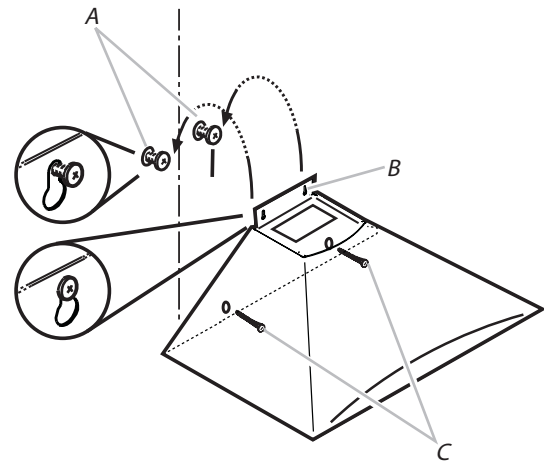


- A. Taquetes de 8 x 40 mm
- B. Línea central en pared
- C. Soporte de cubierta
- D. Tornillos de 5 X 45 mm

- Fijar el soporte a la pared con dos tornillos.

Montar la campana

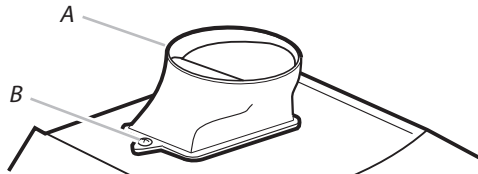
- Use 2 o más personas para levantar y posicionar la campana en los tornillos de montaje.



- A. Tornillos de montaje
- B. Ranura de montaje
- C. Tornillos de montaje inferior

- Quite los filtros de grasa y monte la campana sobre los tornillos superiores
- Nivele la campana y apriete los tornillos de montaje
- Instale 2 - 5 X 45 mm la parte inferior y apriete los tornillos de montaje.

- Instale la transición sobre la campana (después de ser desempacada) atornille con 2 - 3.5 X 6.5 mm.



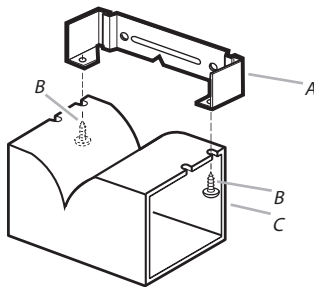
A. Transition
B. Tornillo 3.5 X 6.5 mm

Para instalación con tubos:

- Fije el sistema de ventilación en su lugar.
- Selle la conexión con las abrazaderas.
- Cheque que el soporte trabaja apropiadamente.

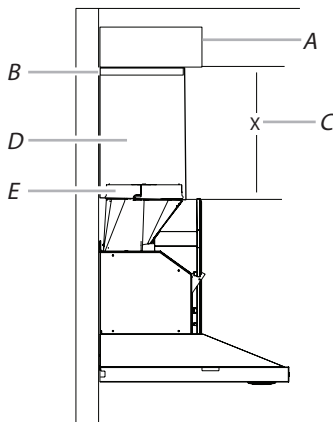
Instalación sin tubos (Recirculante):

- Monte el deflector de aire con la cubierta soporte con 2 tornillos de ensamble proveídos para el Kit Recirculante.



A. Cubierta soporte
B. Tornillo 2.9 X 6.5 mm
C. Deflector

Mida la distancia de la parte inferior del deflector de aire hasta la parte inferior del escape de la campana.



A. Deflector de aire
B. Cubierta soporte
C. X = longitud para cortar el conducto
D. Cubierta conducto
E. Salida de evacuación

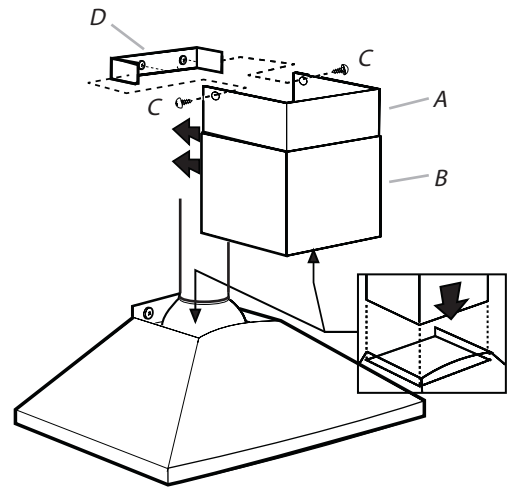
- Corte el conducto según el tamaño (X).
- Retire el deflector de aire.
- Deslice el conducto por la parte interior del deflector de aire.
- Coloque el deflector de aire y la cubierta conducto sobre la salida de gases de la campana
- Asegure el deflector de aire con la cubierta del conducto con 2 tornillos.
- Selle la conexión con la abrazadera.

AVERTISSEMENT: Enchufe en una toma de tierra de 3 puntas.
No quite contacto a tierra.
No use un adaptador.
No utilice un cable de extensión.
El incumplimiento de estas instrucciones puede ocasionar la muerte, un incendio o una descarga eléctrica.

Montar cubierta del conducto

Cuando se utiliza cubiertas de ventilación tanto superior e inferior, empuje hacia abajo la cubierta inferior de la campana y levante la cubierta superior hasta el techo e instálele con dos tornillos de 2,9 X 6,5 mm.

NOTA: Para instalaciones con tubos, la parte superior de la cubierta de ventilación puede ser invertida para ocultar las franjas horarias..

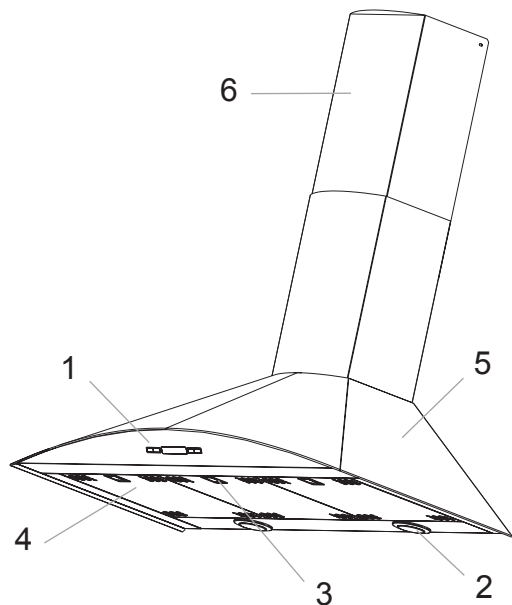


A. Cubierta de ventilación superior
B. Cubierta de ventilación inferior
C. Tornillos de 2.9 X 6.5 mm
D. Soporte

Para completar la Instalación

Para la instalación sin tubos (Recirculante) únicamente la instalación, instlar los filtros de carbón en la carcasa del motor. Instalar filtros de metal.
Comprobar el funcionamiento del motor extractor de humo y luz.

Descripción de la campana y los controles



1. Panel de control
2. Cubierta de la lámpara
3. Manija de liberación de filtro de grasa
4. Filtro de grasa
5. Cubierta de la campana
6. Cubierta de conductos

Controles

Usar la potencia de aspiración mayor en caso de particular concentración de vapores de cocina. Aconsejamos de encender la aspiración 5 minutos antes de iniciar a cocinar y dejarla en función por otros 15 minutos aproximadamente.
Nota: La campana retiene la última velocidad utilizada cuando el switch de aspiración se apaga.

Descripción del panel de control



1. Tecla de luz

- Pulsar la tecla para encender la luz “alta intensidad” (estado anterior luz OFF).
- Pulsar la tecla para encender la luz “baja intensidad” (estado anterior luz ON).
- Pulsar la tecla para apagar la luz (estado anterior luz ON).

2. Tecla Temporizador

- El tiempo ajustado de default es 10 minutos y puede ser ajustado entre 60 minutos y 1 minuto.
- Después de pulsar la tecla, el sistema entra en la modalidad de ajuste y el usuario puede ajustar el tiempo de la cuenta regresiva del temporizador utilizando las teclas “+” y “-” en un plazo de 5 segundos.
- Si no se lleva a cabo ningún ajuste en estos 5 segundos que siguen a la selección de la función “Timer” o al ajuste del tiempo, inicia la cuenta regresiva.
- Durante el setup del “Timer” las teclas “+” y “-” son dedicadas a la temporización y no varían la velocidad del motor.
- Una vez iniciado el conteo, este puede ser anulado pulsando la tecla “Temporizador”.

3. Pantalla

- Muestra el estado de la campana.
- Cuando la campana no es operativa la pantalla será iluminada con baja intensidad. Pulsando cualquier tecla la pantalla se iluminará con una intensidad alta.
- Cuando la campana es operativa la pantalla será iluminada con alta intensidad. Si no se pulsa ninguna tecla por 1 minuto la pantalla se vuelve a iluminar con intensidad baja.

4. “-” Tecla disminución velocidad / OFF

- Esta tecla es utilizada para reducir la velocidad del motor y para apagar la campana.
- El motor se apaga pulsando la tecla “-” si la campana se encuentra en la 1° velocidad.
- Si el motor se encuentra en la 2° velocidad y se pulsa la tecla “-”, el motor pasa en la 1° velocidad.
- Si el motor se encuentra en la 3° velocidad y se pulsa la tecla “-”, el motor pasa en la 2° velocidad.
- Si el motor se encuentra en la 4° velocidad y se pulsa la tecla “-”, el motor pasa en la 3° velocidad.
- Si el motor está apagado y se pulsa la tecla “-”, se ilumina la pantalla.

5. “+” Tecla incremento velocidad / ON

- Esta tecla es utilizada para aumentar la velocidad del motor y para encender la campana.
- El motor se enciende pulsando la tecla “+” si la campana se encuentra en el estado OFF.
- Si el motor se encuentra en la 1° velocidad y se pulsa la tecla “+”, el motor pasa en la 2° velocidad.
- Si el motor se encuentra en la 2° velocidad y se pulsa la tecla “+”, el motor pasa en la 3° velocidad.
- Si el motor se encuentra en la 3° velocidad y se pulsa la tecla “+”, el motor pasa en la 4° velocidad.
- Si el motor se encuentra en la 4° velocidad y se pulsa la tecla “+”, se emite un “beep”.

Programación Reloj

- El reloj puede ser ajustado en cualquier momento a excepción de cuando está activa la función temporizador.
- El reloj puede ser visualizado en el formato de 12 horas con un tiempo de visualización entre 1:00 y 12:59.
- El reloj puede ser visualizado pulsando la tecla "Timer" por 3 segundos, actuando sucesivamente sobre las teclas "+" y "-" para ajustar la hora.
- El usuario puede aumentar/disminuir la hora con step de 1 minuto, pero si se pulsan las teclas "+/-" por 1 segundo el aumento/disminución acontece con step de 5 minutos.
Durante dicha operación el control redondea a los 5 minutos.
- El usuario puede terminar la fase de ajuste de la hora pulsando la tecla "Timer".
- Después de 1 minuto que no se pulsa ninguna tecla, el control acepta el valor ajustado y añade 1 minuto al mismo e inicia a contar.

Señal saturación de Filtro Grasa (Optional)

- Después de 40 horas de funcionamiento del motor, en la pantalla aparece la indicación "Grease Filter" si el motor está activo.
Cuando aparece esta señal en la pantalla, el filtro instalado necesita ser lavado.
- Para reiniciar la señal de filtro de grasa, el usuario debe pulsar la tecla "+" por 5 segundos, después de esta acción, la señal "Grease Filter" desaparece y la pantalla muestra el estado del funcionamiento.

Señal saturación Filtro de Carbón (Optional)

- Después de 120 horas de funcionamiento del motor, en la pantalla aparece la señal "Charcoal Filter" si el motor está activo. Cuando esta señal aparece en la pantalla el filtro carbón instalado debe ser cambiado o reactivado.
- Para reiniciar la señal del filtro grasa, el usuario debe pulsar la tecla "-" por 5 segundos, después de esta acción, la señal "Charcoal Filter" desaparece y la pantalla muestra el estado del funcionamiento.

Activación/Desactivación señal acústica

- Las señales acústicas pueden ser activadas o desactivadas pulsando la tecla "Luz" por 5 segundos.
- Si la señal acústica está activada, debe ser emitido un sonido y símbolo "Snd" debe aparecer en la pantalla por 3 segundos.
- Si la señal acústica está desactivada, el símbolo "Snd" debe aparecer en la pantalla por 3 segundos y no es emitido ningún sonido.

Activación/Desactivación señal Filtro Carbón (versión Filtrante)

- La activación y la desactivación de la señal saturación filtro carbón puede ser ajustada pulsando simultáneamente por 5 segundos las teclas "-" y "+".
- La activación o la desactivación debe ser realizada con motor y lámparas OFF.
- Cuando la señal Filtro Carbón está desactivada, se desactiva la alarma.

Sensor térmico

- La campana está equipada con sensor de temperatura que activa el motor en 3° velocidad, si la temperatura de la zona circundante es demasiado elevada (superior a 149° F o 65° C).
- Si el motor está en OFF o en 1° velocidad, e interviene la alarma, el motor se coloca automáticamente en la 3° velocidad y en la pantalla aparecerá la señal "CarE".
- Durante este estado, el usuario puede aumentar solamente la velocidad del motor.
- Cuando la temperatura regresa bajo el límite de alarma, el motor regresa en la condición anterior a la alarma.

Mantenimiento

ATENCIÓN! Antes de cualquier operación de limpieza o mantenimiento, retire la campana de la red eléctrica desconectando el enchufe o desconectando el interruptor general de la casa.

Limpieza

No aplique limpiadores directamente al control durante la limpieza de la campana.

La campana debe ser limpiada con frecuencia tanto externamente como internamente (con la misma frecuencia con la que se realiza el mantenimiento de los filtros de grasa). Para la limpieza, utilice un paño impregnado de detergente líquido neutro. No utilice productos que contengan abrasivos. ¡NO UTILICE ALCOHOL!

ATENCIÓN: De no observarse las instrucciones dadas para la limpiar el aparato y sustituir el filtro, puede producirse un incendio. El fabricante recomienda leerlas y respetarlas atentamente.

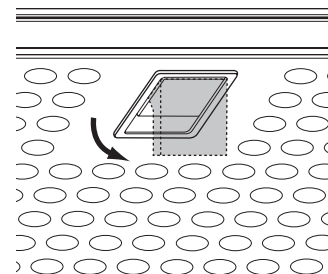
El fabricante no se hace responsable por los daños al motor o los incendios provocados en el aparato debido a intervenciones de mantenimiento incorrectas o al incumplimiento de las normas de seguridad proporcionadas.

Filtro contra la grasa

Retiene las partículas de grasa producidas cuando se cocina. Los filtros deben lavarse con frecuencia con detergentes no agresivos, manualmente o bien en lavavajillas a bajas temperaturas y con ciclo breve.

Con el lavado en el lavavajilla el filtro antigrasa metálico puede desteñirse pero sus características de filtrado no cambian absolutamente.

Para desmontar el filtro antigrasa, tirar de la manija de desenganche de muelle.

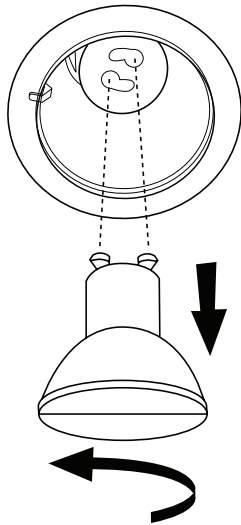


Sustitución de la bombilla

PRECAUCIÓN

Antes de reemplazar las lámparas, el interruptor debe estar apagado y bloquear el panel, para evitar que se pueda encender accidentalmente.

NOTA: Apagar las luces y el ventilador. Las luces deben enfriarse antes de volver a usarlas. Si las nuevas luces no funcionan, asegurarse que las luces estén insertadas correctamente antes de llamar el servicio de asistencia al cliente.



Reemplazar las Luces

- Quitar la luz dañada (girar el contador hacia el sentido de las agujas del reloj) y reemplazar con una nueva luz halógenas de 120 V. 50, (máximo) 50° para una base de GU10, apropiado para el uso en liminarias abiertas.

Filtros de Carbón

Si el modelo no tiene una salida hacia el exterior, el aire, recirculará a través de los filtros de carbón vegetal disponibles, que ayudan a quitar humor y olores. Los filtros de carbón no pueden limpiarse.

Deben ser reemplazados.

Aplicar el filtro de carbón para cubrir la parrilla que protege el motor aspirante de modo que las azas del filtro correspondan con los pernos de los lados de la parrilla que protege el motor.

Girar el filtro en sentido horario para bloquearlo (fijación a acordeon).

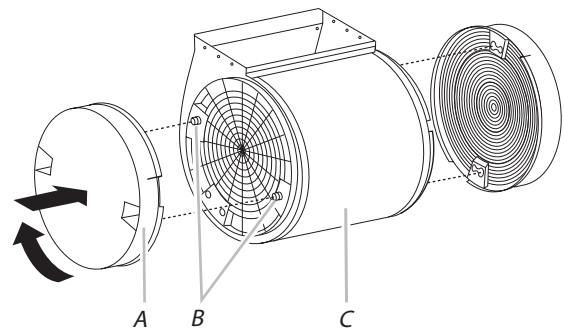
Los filtros de carbón vegetal deben ser reemplazados después de 4-6 meses, dependiendo, del uso de la campana.

NOTA: NO enjuagar, o poner los filtros de carbón vegetal en un lavaplatos automático.

NOTA. Los filtros de carbón vegetal no son incluidos con la campana.

Deben ser pedidos al proveedor.

Pedir el equipo necesario específico para el modelo de la campana y respetar el tamaño de la anchura.



- A. Filtro de carbón
- B. Pernos
- C. Motor aspirante

Garantía

ELICA North America GARANTIA LIMITADA DE DOS AÑOS

PARA OBTENER SERVICIO DENTRO DE GARANTIA.

El propietario debe presentar su recibo original de la compra. Guarde por favor una copia de su recibo de compra como prueba, para recibir el servicio dentro del periodo de garantía.

PARTES Y GARANTIA DE SERVICIO

Por el periodo de (2) dos años desde la fecha original de la compra. Elica proveerá, gratuitamente, partes no-consumibles o componentes que hayan fallado debido a defectos de fabricación. Durante estos (2) años de garantía limitada, Elica también proveerá gratuitamente, todo el servicio en casa y mano de obra necesaria para reemplazar cualquier parte defectuosa.

QUE NO ESTA CUBIERTO

- Daños o fallas del producto causados por accidente o actos de Dios, tales como inundaciones, incendios o terremotos.
- Daños o fallas causadas por alteración del producto o por el uso de partes no-originales.
- Daños o fallas del producto causados durante la entrega, manejo o instalación.
- Daños o fallas del producto causados por abuso del usuario.
- Daños o fallas del producto causados por reemplazo de fusibles dañados o reseteo de interruptor de circuito.
- Daños o fallas causados por el uso del producto en un ambiente comercial (no domestico).
- Viajes de servicio debidos a dudas sobre el uso instalación del producto.
- Bombillas, filtros de carbón o metal y cualquier otra parte consumible.
- Desgaste normal.
- Desgaste terminal debido a abusos del usuario, mantenimiento inadecuado, uso de productos / toallas de limpieza corrosivos o abrasivos y por uso de limpiadores para hornos.

QUIEN ESTA CUBIERTO

Esta garantía se extiende al comprador original de productos adquiridos para uso residencial en Norte America (incluyendo Estados Unidos, Guam, Puerto Rico, Islas Vírgenes de USA y Canadá).

Esta garantía no es transferible y aplica solamente al comprador original y no se extiende a propietarios subsecuentes del producto. Esta garantía se expresa en lugar de otras garantías, expresadas o implicadas, incluyendo, pero no limitada a ninguna garantía implicada de comercialización o adaptada para propósitos particulares y cualquier otra obligación por parte de Elica North America, considerando, sin embargo, que si la negación de garantías implícitas es inefectiva bajo la ley aplicable, la duración de cualquier garantía implícita será limitada a (2) años desde la fecha original de compra o por el periodo necesario como sea requerido por la ley aplicable.

Esta garantía no cubre cualquier daño especial, incidental y/o consecuente, ni pérdidas de ganancias, sufridas por el comprador original, sus clientes y/o usuarios del producto.

A QUIEN CONTACTAR

Para obtener Servicio bajo Garantía o para cualquier pregunta relacionada a Servicio.

Favor de llamar:

- Servicio Autorizado de Elica North America al (888) 732-8018

O escribiendo a:

- Elica North America, Atención a Servicio a Clientes, 222 Merchandise Mart Plaza Suite 947, Chicago, IL 60654 USA

infoamericas@elica.com

