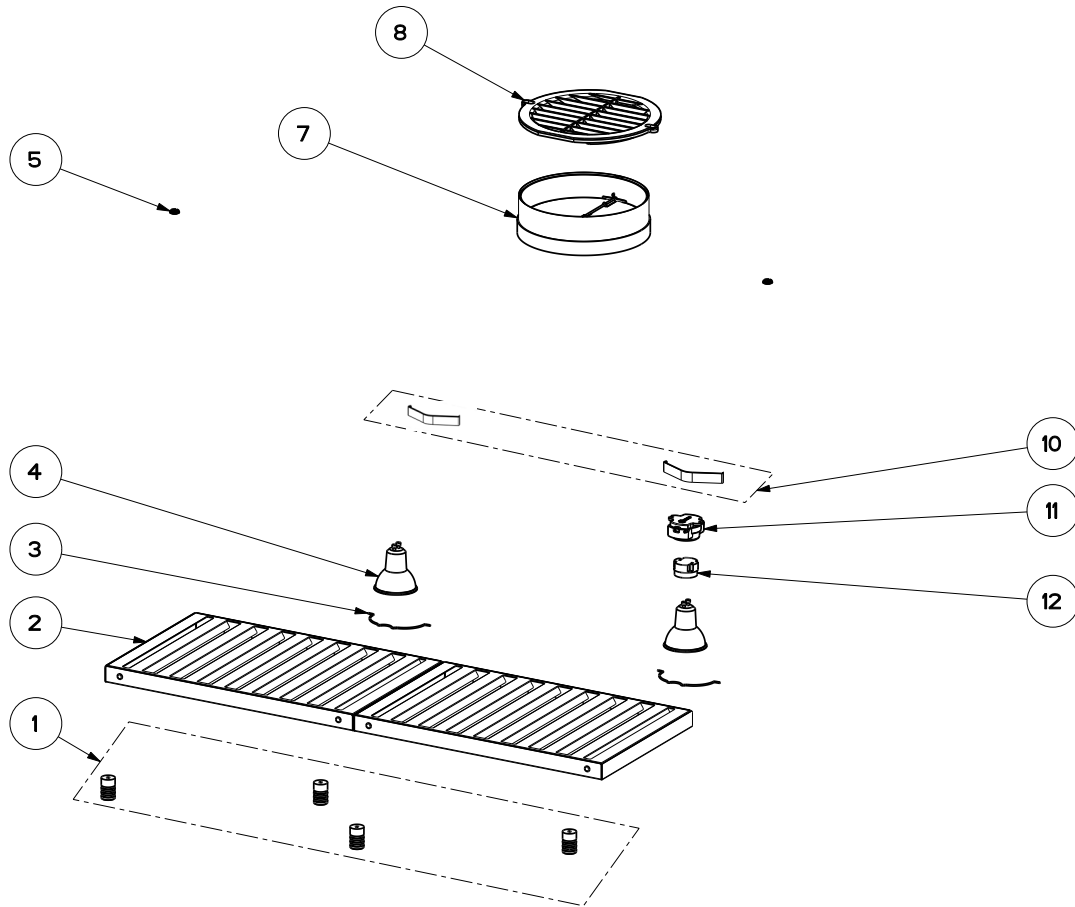


# INCA SD

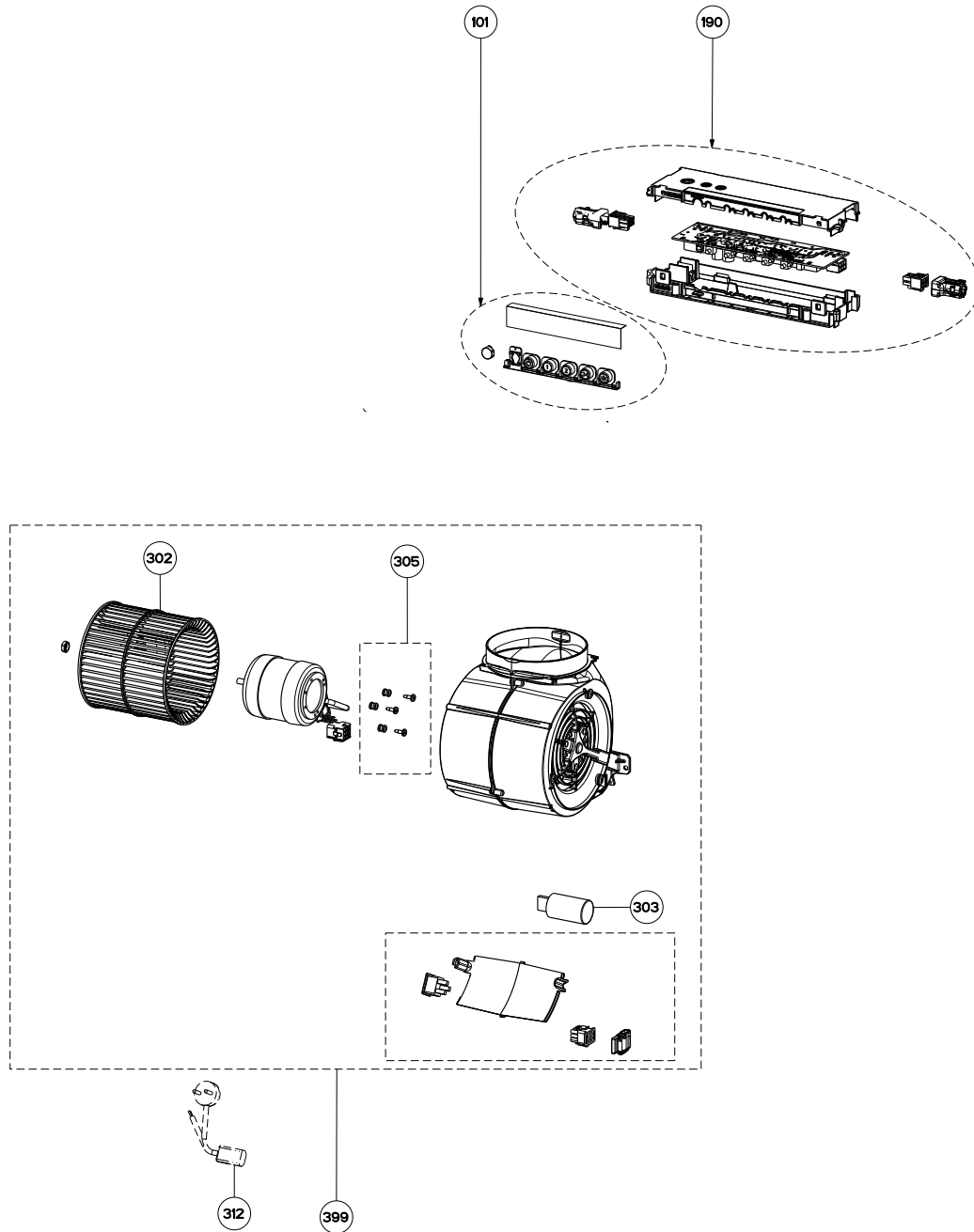
## body components



	Model Number	INSD29SSV	INSD35SSV	
Key	Description	29 Stainless	35 Stainless	Qty Req.
1	Grease Filter Knobs	133.0176.905	133.0176.905	1
2	Grease Filters	133.0567.427	133.0567.427	2
3	Bulb Clip	133.0200.447	133.0200.447	1
4	LED Bulb	133.0486.867	133.0486.867	2
5	Rubber Stopper	133.0017.608	133.0017.608	1
7	Damper	133.0055.994	133.0055.994	2
8	Ductless Vent Grate	133.0016.964	133.0016.964	1
10	Grease Filter Spring	133.0176.900	133.0176.900	2
11	Lamp Holder Support	133.0198.226	133.0198.226	2
12	Lamp Holder	133.0380.507	133.0380.507	2

# INCA SD

switch / motor components



	Model Number	INSD29SSV	INSD35SSV	
Key	Description	29 Stainless	35 Stainless	Qty Req.
101	Control Button Kit	133.0380.478	133.0380.478	1
190	Control Board Kit	133.0524.811	133.0524.811	1
302	Impeller Kit	133.0052.799	133.0502.222	1
303	Capacitor 25MF	133.0060.648	133.0060.648	1
305	Rubber Motor Mount	133.0051.604	133.0051.603	1
312	Power Cord	133.0381.468	133.0381.468	1
399	Motor Kit	133.0381.523	133.0491.511	1