

## INCA HC

Installation Instructions  
Use and Care Information

Instructions d'installation  
Utilisez et d'entretien

Instrucciones de instalación  
Información de uso y cuidado

**INHC29SSV**  
**INHC35SSV**

# **READ AND SAVE THESE INSTRUCTIONS BEFORE YOU START INSTALLING THIS RANGEHOOD**

**WARNING: - TO REDUCE THE RISK OF A RANGE TOP GREASE FIRE:**

- a) Never leave surface units unattended at high settings. Boilovers cause smoking and greasy spillovers that may ignite. Heat oils slowly on low or medium setting.
- b) Always turn hood ON when cooking at high heat or when flambeing food (i.e. Crepes Suzette, Cherries Jubilee, Peppercorn Beef Flambé).
- c) Clean ventilating fans frequently. Grease should not be allowed to accumulate on fan or filter.
- d) Use proper pan size. Always use cookware appropriate for the size of the surface element.

**WARNING: - TO REDUCE THE RISK OF INJURY TO PERSONS IN THE EVENT OF A RANGE TOP GREASE FIRE, OBSERVE THE FOLLOWING\*:**

- a) **SMOTHER FLAMES** with a close-fitting lid, cookie sheet, or metal tray, then turn off the burner. **BE CAREFUL TO PREVENT BURNS.** If the flames do not go out immediately **EVACUATE AND CALL THE FIRE DEPARTMENT.**
- b) **NEVER PICK UP A FLAMING PAN** - You may be burned.
- c) **DO NOT USE WATER**, including wet dishcloths or towels - a violent steam explosion will result.
- d) Use an extinguisher **ONLY** if:
  1. You know you have a Class ABC extinguisher, and you already know how to operate it.
  2. The fire is small and contained in the area where it started.
  3. The fire department is being called.
  4. You can fight the fire with your back to an exit.

\* Based on "Kitchen Firesafety Tips" published by NFPA

**WARNING - TO REDUCE THE RISK OF FIRE OR ELECTRIC SHOCK, do not use this fan with any solid-state speed control device.**

**WARNING - TO REDUCE THE RISK OF FIRE, ELECTRICAL SHOCK, OR INJURY TO PERSONS, OBSERVE THE FOLLOWING:**

1. Use this unit only in the manner intended by the manufacturer. If you have any questions, contact the manufacturer.
2. Before servicing or cleaning unit, switch power off at service panel and lock the service disconnecting means to prevent power from being switched on accidentally. When the service disconnecting means cannot be locked, securely fasten a prominent warning device, such as a tag, to the service panel.

**CAUTION: For General Ventilating Use Only. Do Not Use To Exhaust Hazardous or Explosive Materials and Vapors.**

**WARNING - TO REDUCE THE RISK OF FIRE, ELECTRICAL SHOCK, OR INJURY TO PERSONS, OBSERVE THE FOLLOWING:**

1. Installation Work And Electrical Wiring Must Be Done By Qualified Person(s) In Accordance With All Applicable Codes And Standards, Including Fire-Rated Construction.
2. Sufficient air is needed for proper combustion and exhausting of gases through the flue (chimney) of fuel burning equipment to prevent backdrafting. Follow the heating equipment manufacturer's guideline and safety standards such as those published by the National Fire Protection Association (NFPA), and the American Society for Heating, Refrigeration and Air Conditioning Engineers (ASHRAE), and the local code authorities.

3. **When cutting or drilling into wall or ceiling, do not damage electrical wiring and other hidden utilities.**
4. **Ducted fans must always be vented to the outdoors.**

ALL WALL AND FLOOR OPENINGS WHERE THE RANGEHOOD IS INSTALLED MUST BE SEALED.

**This rangehood requires at least 24" of clearance** between the bottom of the rangehood and the cooking surface or countertop. This hood has been approved by UL at this distance from the cooktop.

This minimum clearance may be higher depending on local building codes. For gas cooktops and combination ranges, a minimum of 30" is recommended and may be required.

Overhead cabinets on both sides of this unit must be a minimum of 18" above the cooking surface or countertop. Consult the cooktop or range installation instructions given by the manufacturer before making any cutouts.

**MOBILE HOME INSTALLATION** The installation of this rangehood must conform to the Manufactured Home Construction and Safety Standards, Title 24 CFR, Part 3280 (formerly Federal Standard for Mobile Home Construction and Safety, Title 24, HUD, Part 280). See Electrical Requirements.

### VENTING REQUIREMENTS

Determine which venting method is best for your application. Ductwork can extend either through the wall or the roof.

The length of the ductwork and the number of elbows should be kept to a minimum to provide efficient performance. The size of the ductwork should be uniform. Do not install two elbows together. Use duct tape to seal all joints in the ductwork system. Use caulking to seal exterior wall or floor opening around the cap.

**Flexible ductwork is not recommended. Flexible ductwork creates back pressure and air turbulence that greatly reduces performance.**

Make sure there is proper clearance within the wall or floor for exhaust duct before making cutouts. Do not cut a joist or stud unless absolutely necessary. If a joist or stud must be cut, then a supporting frame must be constructed.

**WARNING - To Reduce The Risk Of Fire, Use Only Metal Ductwork.**

**CAUTION - To reduce risk of fire and to properly exhaust air, be sure to duct air outside – Do not vent exhaust air into spaces within walls or ceilings or into attics, crawl spaces, or garages.**



## WARNING

- Venting system **MUST** terminate outside the home.
- **DO NOT** terminate the ductwork in an attic or other enclosed space.
- **DO NOT** use 4" laundry-type wall caps.
- Flexible-type ductwork is not recommended.
- **DO NOT** obstruct the flow of combustion and ventilation air.
- Failure to follow venting requirements may result in a fire.



# WARNING

- Electrical ground is required on this rangehood.
- If cold water pipe is interrupted by plastic, nonmetallic gaskets or other materials, DO NOT use for grounding.
- DO NOT ground to a gas pipe.
- DO NOT have a fuse in the neutral or grounding circuit. A fuse in the neutral or grounding circuit could result in electrical shock.
- Check with a qualified electrician if you are in doubt as to whether the rangehood is properly grounded.
- Failure to follow electrical requirements may result in a fire.

## **State of California Proposition 65 Warning (US only)**

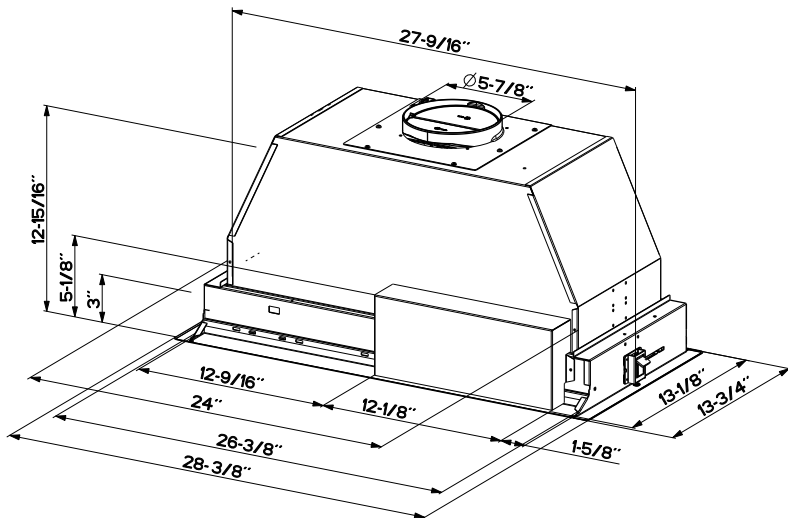
### **WARNING**

This product contains chemicals known to the State of California to cause cancer and birth defects or other reproductive harm.

For more information go to [www.P65Warnings.ca.gov](http://www.P65Warnings.ca.gov)

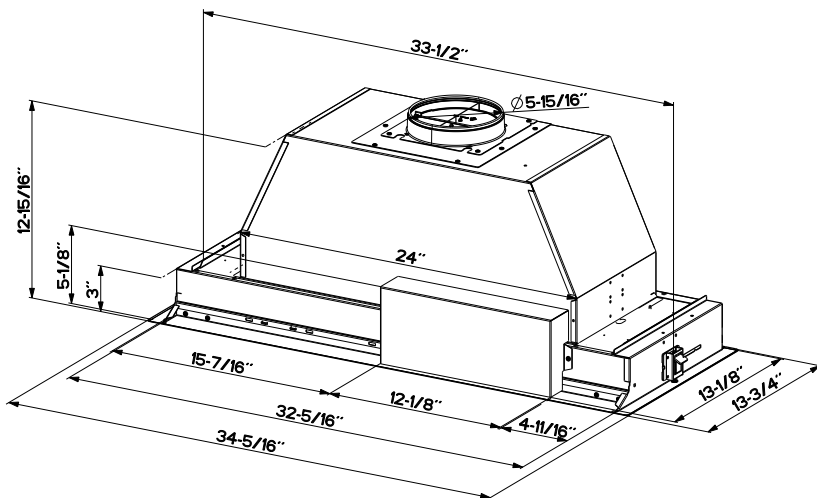


### RANGEHOOD DIMENSIONS

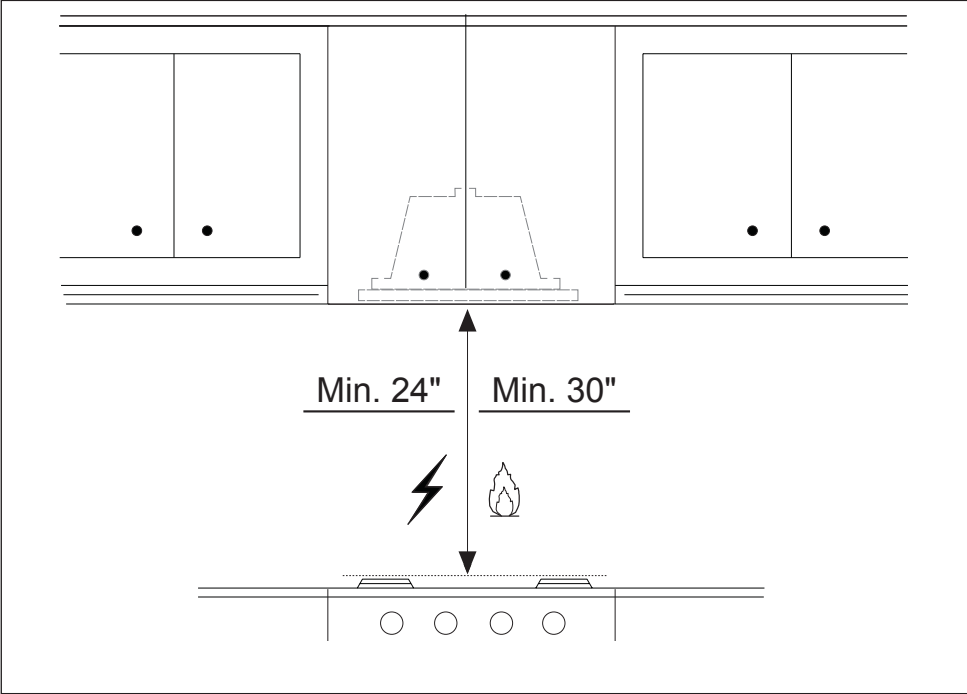


**INHC29SSV**

### REAR RANGEHOOD DIMENSIONS



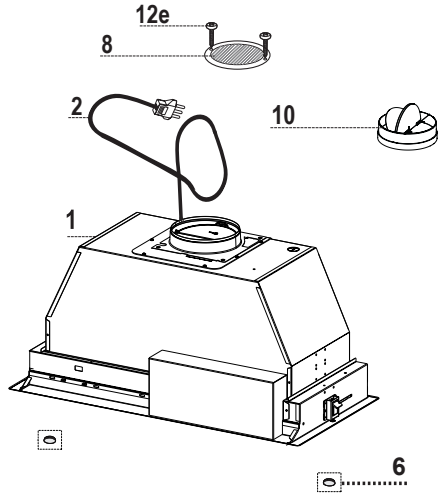
**INHC35SSV**



## MAIN PARTS

### Components

Ref.	Qty.	Product Components
1	1	Hood Body, complete with: Controls, Light, Filters, Blower.
2	1	Power cord
6	2	Caps
8	1	Recirculation Vent Grill
10	1	Damper $\varnothing$ 5 7/8"
Ref.	Qty.	Installation Components
12e	2	Screws 1/8" x 3/8" (for Recirculation Grill mounting)
Qty.	Documentation	
1	1	Instruction Manual

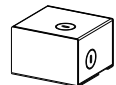


### Parts needed

- 6" Round Metal ductwork .

### Available Accessories

Direct Connect Wiring Box sku # WIREBOX



Liner 30" Stainless #LINE30ST (Use only with INHC29SSV)

Liner 36" Stainless #LINE36ST (Use only with INHC29SSV)

Activated Charcoal Filter sku #: FILTER1

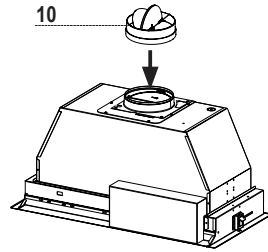
Long Lasting Activated Charcoal Filter sku# FILTER1LL



Remote Control Accessory - REMCTRL2

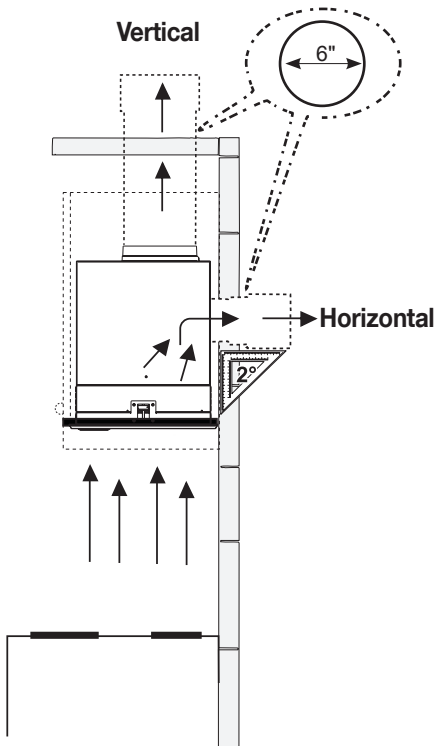
### Only for Ducted Venting Installation

Install Damper that is included with the Hood before connecting to the ductwork.

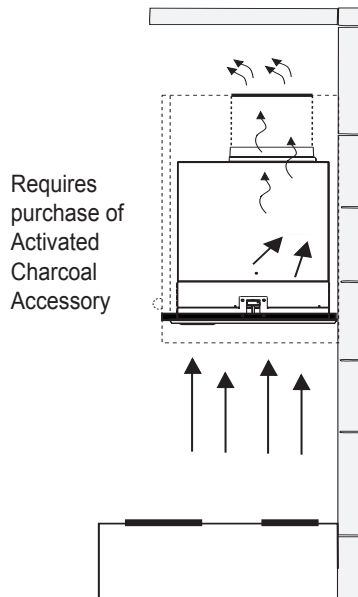


### Choose your ducting method

#### Ducted Venting Installation



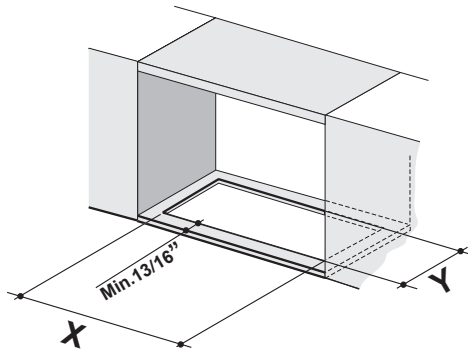
#### Non Ducted - Recirculation



## Installation Instructions

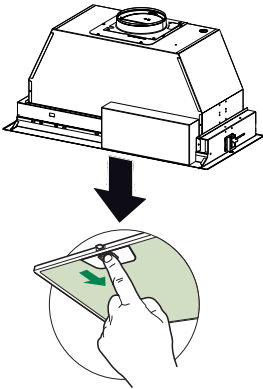
1

Hood	29"	35"
X	27 5/8"	33 3/4"
Y	13 9/16"	13 9/16"



Cut out the opening in the underside of the cabinet as shown in Figure 1.

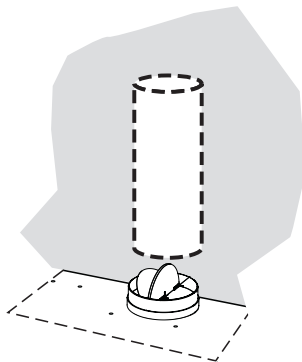
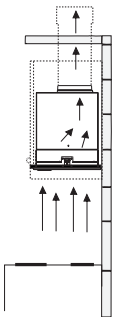
2



Remove the filters from the Insert Hood before installing into cabinet.

3.a

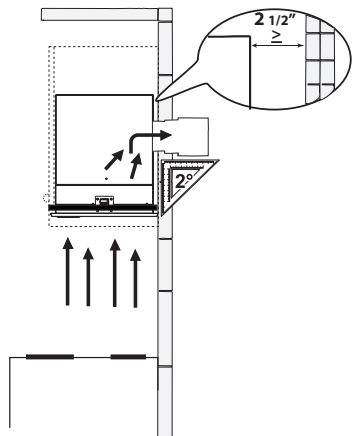
Ducted (in front of Vertical)



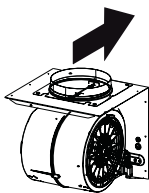
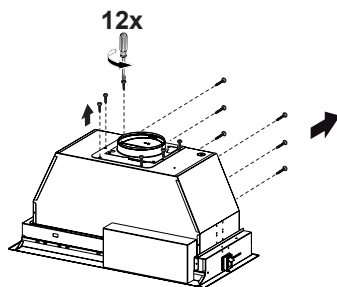
Install Roof or Wall Cap purchased separately. Connect the 6" metal ductwork to the Roof or Wall Cap and then attach ductwork.

# 3.b

## Rear Ducting Installation



For horizontal(rear) ducting there must be a minimum of 2 1/2" of space open between the back of the Hood Insert and the wall.

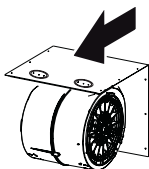
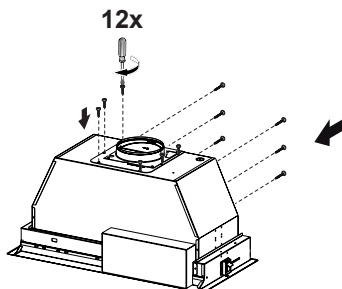


For a horizontal ducting installation the motor needs to be unsecured by first removing the 12 screws as shown.

180°

Once the screws are removed, extract the blower from the body of the Insert Hood and position it so the transition opening is facing to the rear wall (from the back remove and rotate 180 degrees to the left, and then flip it back 90 degrees as shown in the diagram).

90°

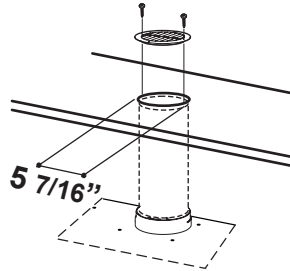
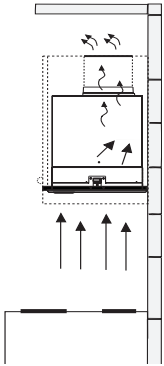


Once the blower is in place re-install the 12 screws to fasten the motor to the Insert Hood body.

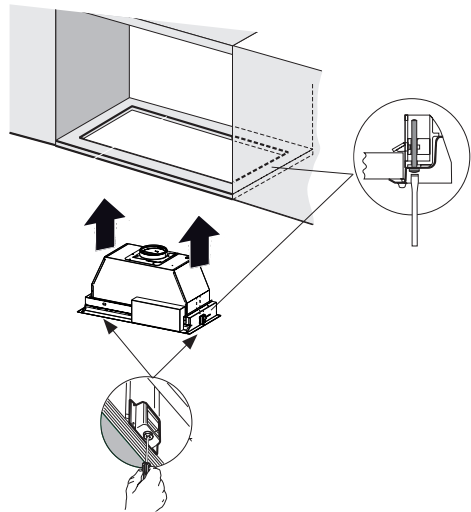
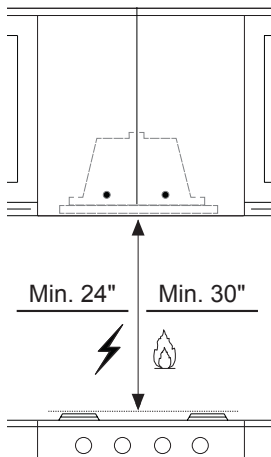
**4****Non-Ducted Recirculation Option**

For Non-Ducted Recirculation venting route the ductwork to a location above the hood where the discharge is vented back into the room.

Use the included Recirculation Vent Grill to cover the opening. Secure the grill with the 2 screws provided in the Install Kit.



Required Activated Charcoal Filter Accessory - sku # - FILTER1 (purchased separately).  
 Long Lasting Activated Charcoal Filter Accessory - sku # FILTER1LL (purchased separately).

**5**

Install the Insert Hood through the cabinet cutout into the cabinet opening that has a minimum height of 16 ". Allow for ducting.

The range hood is secured to the cabinet cutout by two spring loaded brackets, one on each side of the range hood.

It is recommend that the Insert Hood is supported with a 3/4" wood base to insure proper alignment of the two side clips

After the Insert Hood is installed into the cabinet opening lock it into position by tightening the indicated screws in each of the two side clips from underneath the Insert Hood.

# 6

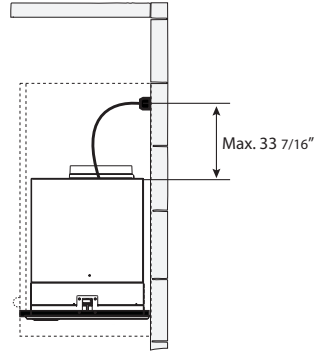
## ELECTRICAL INSTALLATION WITH CONNECTION CABLE

**GROUNDING INSTRUCTIONS** This appliance must be grounded. In the event of an electrical short circuit, grounding reduces the risk of electric shock by providing an escape wire for the electric current. This appliance is equipped with a cord having a grounding wire with a grounding plug. The plug must be plugged into an outlet that is properly installed and grounded.

**WARNING** - Improper grounding can result in a risk of electric shock.

Consult a qualified electrician if the grounding instructions are not completely understood, or if doubt exists as to whether the appliance is properly grounded.

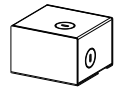
Do not use an extension cord. If the power supply cord is too short, have a qualified electrician install an outlet near the appliance.



## ELECTRICAL INSTALLATION WITH OPTIONAL WIRING BOX

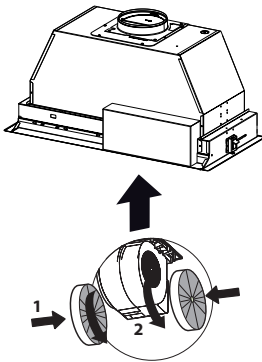
For permanent wiring, use only the Direct Connect Wiring Box accessory sku WIREBOX, manufactured by Faber.

Direct Connect Wiring Box  
Accessory sku # WIREBOX  
(purchased separately)



# 7 For Non-Ducted Recirculation Option

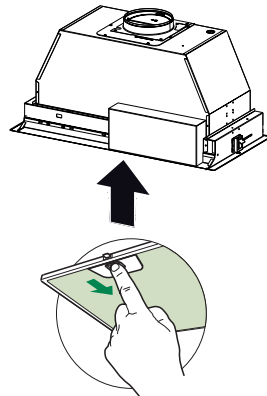
Attach each charcoal filter to the black grid on each side of the blower. Press the charcoal filter tightly to the black grid on the blower side and rotate the filter clockwise (towards the front of the insert hood) until it locks into place. Turn counterclockwise (towards the back of the insert hood) to remove.



Required Activated Charcoal Filter Accessory  
- sku # - FILTER1  
Long Lasting Activated Charcoal Filter  
Accessory - sku # FILTER1LL  
(purchased separately)



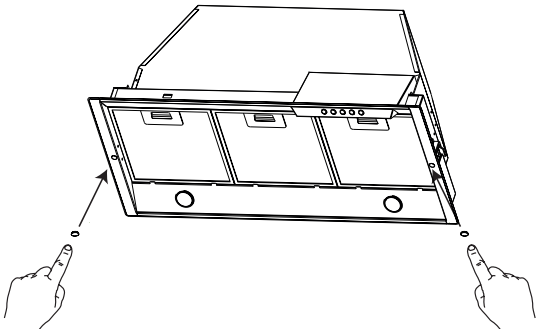
# 8



Replace the grease filters removed previously.

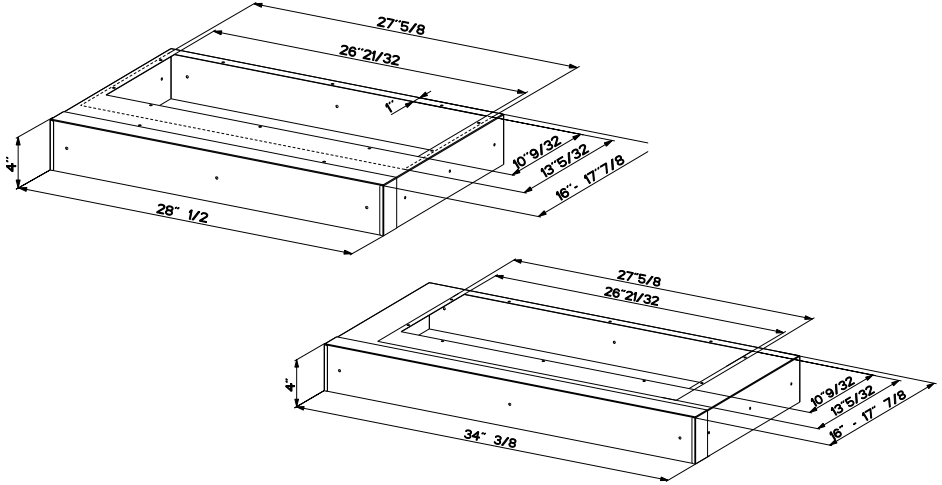


9



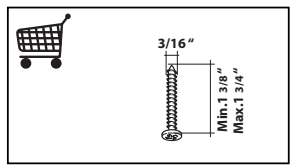
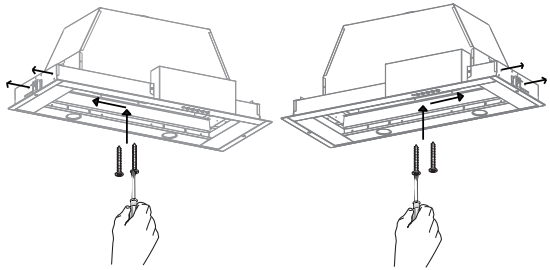
Insert the 2 Caps in the screws hole, as shown.

### LINER DIMENSIONS



"Note: Standard Liners need to have the center perforation removed for installation"

### ADDITIONAL FIXATION POINTS



"Note: Possible additional fixation points of the product with 4 screws "

## FOR INSTALLATION WITH LINERS

# ! WARNING

When building a custom hood, always follow all applicable codes and standards.

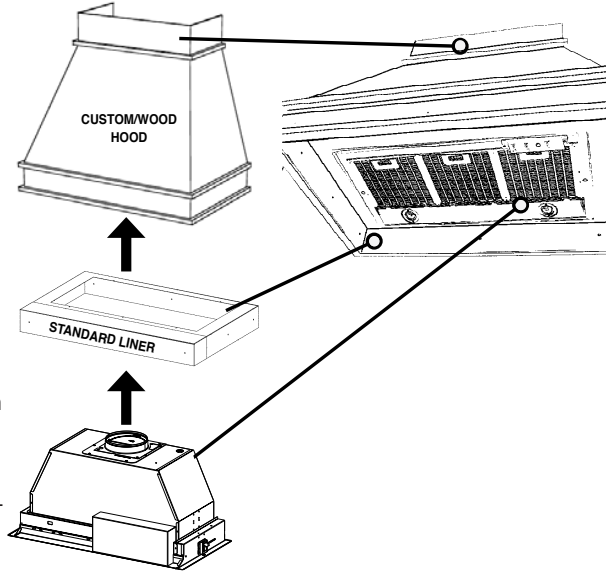
The Inca HC can be used with custom cabinetry and hoods 30" wide and up. Choose either a custom liner or our Standard Liner designed for 30" and 36" wide installations.

Liners create a perfectly-sealed, non-combustible finish for the underside of your custom/wood hood.

The Standard Liners are made up of two sections: a larger, rear section (pre-cut out for insertion of the Inca Smart) and a front section for a total adjustable depth between 16" and 17 7/8".

**!!! IMPORTANT NOTE: YOU MUST REMOVE THE ADDITIONAL PERFORATED SECTION AROUND THE PRE-CUT-OUT WHEN INSTALLING THE STANDARD LINER WITH THE INCA HC SS MODEL.**

Consider the shape, size, and weight of the Inca HC and Liner to determine the configuration of the custom/wood hood.



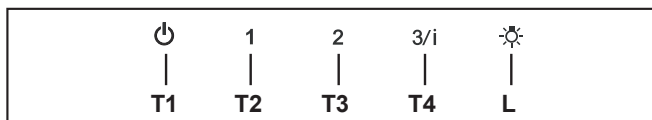
1. The custom/wood hood must have a sturdy base (3/4" plywood recommended) to accommodate the cut-out for the Inca HC. The base must be recessed to accommodate the height of the Liner (see **LINER DIMENSIONS** on Page 13). The Liner attaches to the bottom of the base using screws appropriate for the size and material of your custom/ wood hood. The Inca HC inserts into the cut-out in the Liner and base.

2. Position the rear section of the Liner so that it abuts the back edge of your custom/ wood hood. Using a pen, trace the outline of the pre-cut out. Remove the Liner and proceed to **MAKE YOUR CUT-OUTS**. Install both sections of the Liner and proceed to **INSTALL THE Range hood**.

## USE AND CARE INFORMATION

### For Best Results

Start the rangehood several minutes before cooking to develop proper airflow. Allow the rangehood to operate for several minutes after cooking is complete to clear all smoke and odors from the kitchen.



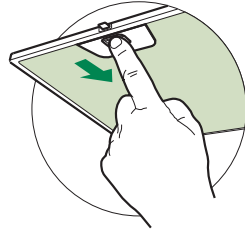
- T1.** Fan off button: turn the blower Off. The fan can be operated by pressing any of the fan setting buttons. Hold down this button for 2 seconds to activate Delay off function which will keep the fan on for 15 minutes and automatically shut off.
- T2.** Fan settings buttons: Low speed.
- T3.** Fan settings buttons: Medium speed.
- T4.** Fan settings buttons: High speed / Intensive speed.  
Hold down the button for 2 seconds to activate the intensive speed, which is timed to run for 6 minutes. At the end of this time it will automatically return to the speed set before. Suitable to deal with maximum levels of cooking fumes.
- L.** Light button: On/Off switch for the lights.

NOTE: If your product has had a CFM adjustment, refer to the CFM adjustment manual for the information. Some motor speeds or functions may be reduced.

### Cleaning metal grease filters

The metal grease filters can be cleaned in hot detergent solution or washed in the dishwasher. They should be cleaned every 2 months, or more frequently if use is particularly heavy.

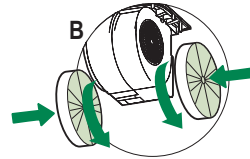
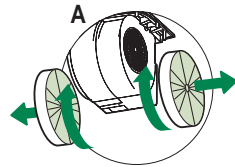
- Remove the filter, pushing the lever towards the back of the unit and at the same time pulling downward.
- Wash the filter without bending it, leave it to dry thoroughly before replacing (if the surface of the filter changes color over time, this will have absolutely no effect on its efficiency).
- Replace, taking care to ensure that the handle faces forward.
- Cleaning in dishwasher may dull the finish of the metal grease filter.
- No water can be present in filters before installing back in hood.



### Replacing Activated Charcoal Filter

The Activated Charcoal Filters are not washable and cannot be regenerated, and should be replaced approximately every 4 months of operation, or more frequently with heavy usage.

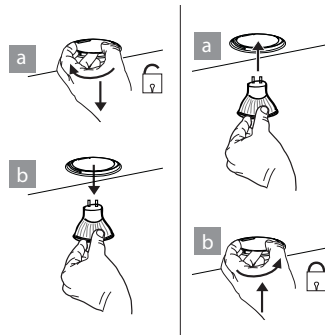
- Remove the charcoal filter by rotating it clockwise (backwards) until it unlocks from the motor housing and pull off sideways.
- To re-insert each charcoal filter, place up against the side of the blower and push it inward. Then turn the charcoal filter clockwise (forward) until it fits into place.



**Caution:** "When used in recirculation mode, to Reduce the Risk of Fire and Shock use only conversion kit Model FILTER 1 or FILTER1LL"

### Lighting unit

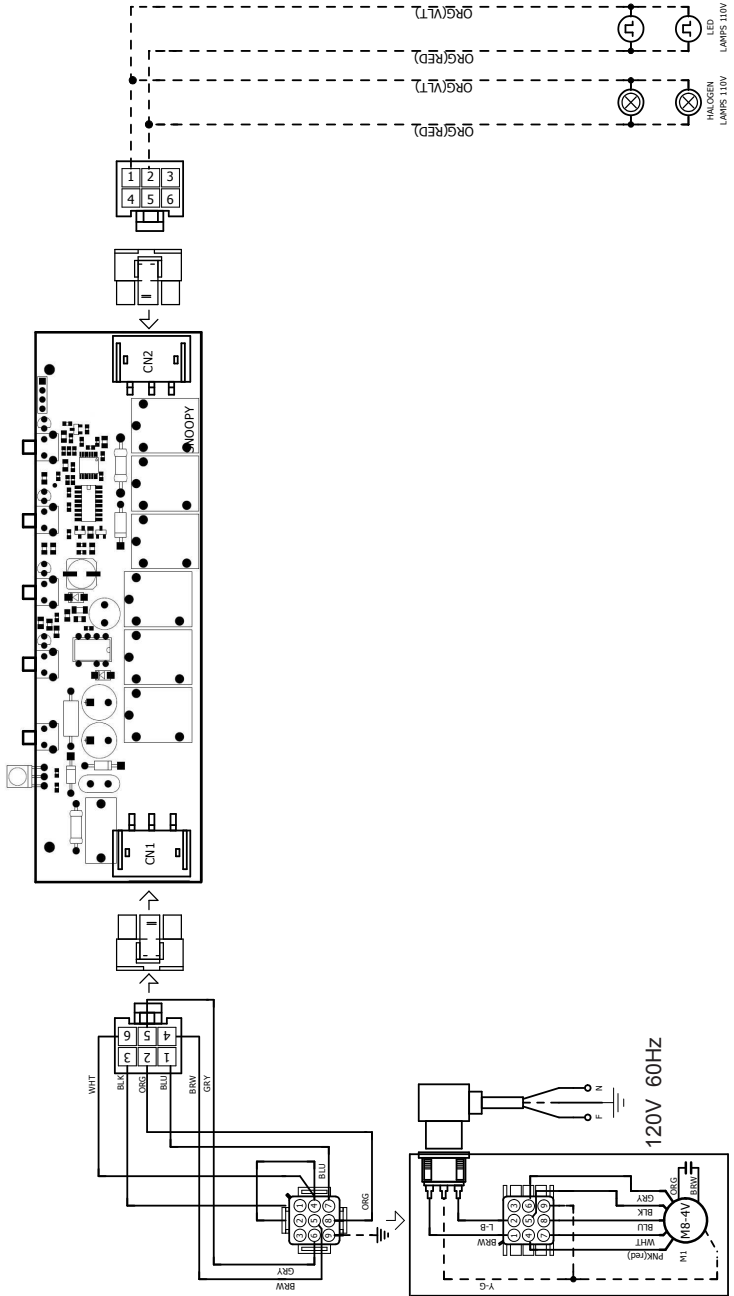
- Replace the lamp with a new one of the same type, making sure that you insert the two pins properly into the housings on the lamp holder.



Gu10 self-ballasted led lamps  
– listed in accordance with ul  
1993/nmx-j-578/1-ance/csa  
c22.2 No. 1993



# Wiring Diagram





## FABER CONSUMER WARRANTY & SERVICE

All Faber products are warranted against any defect in materials or workmanship for the original purchaser for a period of 1 year from the date of original purchase (requires proof of purchase). This warranty covers labor and replacement parts. Faber, at its option, may repair or replace the product or components necessary to restore the product to good working condition. To obtain warranty service, contact the dealer from whom you purchased the range hood, or the local Faber distributor. If you cannot identify a local Faber distributor, contact us at (508) 358-5353 for the name of a distributor in your area.

**The following is not covered by Faber's warranty:**

1. Service calls to correct the installation of your range hood, to instruct you how to use your range hood, to replace or repair house fuses or to correct house wiring or plumbing.
2. Service calls to repair or replace range hood light bulbs, fuses or filters. Those consumable parts are excluded from warranty coverage.
3. Repairs when your range hood is used for other than normal, single-family household use.
4. Damage resulting from accident, alteration, misuse, abuse, fire, flood, acts of God, improper installation, installation not in accordance with electrical or plumbing codes or Faber documentation, or use of products not approved by Faber.
5. Replacement parts or repair labor costs for units operated outside the United States or Canada, including any non-UL or C-UL approved Faber range hoods.
6. Repairs to the hood resulting from unauthorized modifications made to the range hood.
7. Expenses for travel and transportation for product service in remote locations and pickup and delivery charges. Faber range hoods should be serviced in the home.

THIS WARRANTY DOES NOT ALLOW RECOVERY OF INCIDENTAL OR CONSEQUENTIAL DAMAGES, INCLUDING, WITHOUT LIMITATION, DIRECT, INDIRECT, INCIDENTAL, SPECIAL OR CONSEQUENTIAL DAMAGES, PERSONAL INJURY/WRONGFUL DEATH OR LOST PROFITS. FABER WARRANTY IS LIMITED TO THE ABOVE CONDITIONS AND TO THE WARRANTY PERIOD SPECIFIED HEREIN AND IS EXCLUSIVE. EXCEPT AS EXPRESSLY SPECIFIED IN THIS AGREEMENT, FABER DISCLAIMS ALL EXPRESS OR IMPLIED CONDITIONS, REPRESENTATIONS, AND WARRANTIES INCLUDING, WITHOUT LIMITATION, ANY IMPLIED WARRANTIES OF MERCHANTABILITY OR FITNESS FOR A PARTICULAR PURPOSE.

This warranty gives you specific legal rights that may vary from state to state.

Model#: \_\_\_\_\_

Serial #: \_\_\_\_\_

January 4, 2016

# VEUILLEZ LIRE ET CONSERVER LA PRÉSENTE NOTICE AVANT DE COMMENCER L'INSTALLATION DE LA HOTTE DE CUISINE

**AVERTISSEMENT:-POUR RÉDUIRE LE RISQUE D'UN FEU DE GRAISSE SUR LA TABLE DE CUISSON :**

- a) Ne laissez jamais sans surveillance les éléments de la surface de cuisson à température élevée. Les bouillonnements excessifs peuvent provoquer de la fumée et les débordements de graisse peuvent s'enflammer. L'huile doit être chauffée lentement, à une température basse ou moyenne.
- b) Assurez-vous de toujours mettre en marche le ventilateur de la hotte lorsque vous cuisinez à température élevée ou préparez un mets flambé (p.ex. crêpes Suzette, cerises jubilé, bœuf flambé).
- c) Nettoyez régulièrement les ventilateurs d'aspiration. Assurez-vous de ne pas laisser de la graisse s'accumuler sur le ventilateur ou le filtre.
- d) Utilisez toujours des poêles et casseroles de la taille appropriée. Utilisez toujours des ustensiles de cuisine de la taille adaptée à celle de l'élément chauffant.

**AVERTISSEMENT : - POUR PRÉVENIR LES BLESSURES EN CAS DE FEU DE GRAISSE SUR LA TABLE DE CUISSON, SUIVEZ LES RECOMMANDATIONS SUIVANTES\* :**

- a) ÉTOUFFEZ LES FLAMMES à l'aide d'un couvercle hermétique, d'une plaque à biscuits ou d'un plateau métallique, puis éteignez le brûleur. FAITES ATTENTION AUX BRÛLURES. Si le feu ne s'éteint pas immédiatement, QUITTEZ LES LIEUX ET APPELEZ LES POMPIERS.
- b) NE PRENEZ JAMAIS UNE CASSEROLE EN FLAMME - Vous pourriez vous brûler.
- c) N'UTILISEZ JAMAIS DE L'EAU, ni un linge à vaisselle ou un torchon mouillé, pour éteindre le feu. Cela pourrait provoquer une violente explosion de vapeur.
- d) Utilisez un extincteur **UNIQUEMENT** si :
  1. Vous êtes certain qu'il s'agit d'un extincteur de classe ABC et que vous connaissez bien son mode d'emploi.
  2. Le feu est de faible intensité et se limite à l'endroit où il a démarré.
  3. Les pompiers ont déjà été appelés.
  4. Une voie de sortie se trouve derrière vous pendant que vous éteignez les flammes

\* D'après le guide « Kitchen Firesafety Tips » publié par la NFPA aux États-Unis

**AVERTISSEMENT - POUR RÉDUIRE LE RISQUE D'INCENDIE OU DE CHOC ÉLECTRIQUE, n'utilisez jamais ce ventilateur en association avec un dispositif de réglage de vitesse à semi-conducteurs.**

**AVERTISSEMENT - POUR RÉDUIRE LES RISQUES D'INCENDIE, DE CHOC ÉLECTRIQUE OU DE BLESSURE CORPORELLE, RESPECTEZ LES INSTRUCTIONS SUIVANTES :**

1. Utilisez cet appareil uniquement de la façon prévue par le fabricant. Pour toute question, communiquez avec le fabricant.
2. Avant de procéder à l'entretien ou au nettoyage de l'appareil, coupez l'alimentation au niveau du panneau électrique et verrouillez-le pour vous assurer que l'électricité n'est pas rétablie accidentellement. S'il n'est pas possible de verrouiller le dispositif d'interruption de l'alimentation, affichez de façon ferme et bien visible un avis de danger, par exemple à l'aide d'une étiquette sur le panneau.

**ATTENTION : Destinée à un usage de ventilation générale uniquement. N'utilisez pas ce dispositif pour l'aspiration de vapeurs ou de matériaux dangereux ou explosifs.**

**AVERTISSEMENT - POUR RÉDUIRE LES RISQUES D'INCENDIE, DE CHOC ÉLECTRIQUE OU DE BLESSURE CORPORELLE, RESPECTEZ LES INSTRUCTIONS SUIVANTES :**

1. L'installation et le branchement électrique doivent être réalisés par un technicien qualifié et conformément à tous les codes et normes en vigueur, incluant ceux concernant la construction à l'épreuve du feu.
2. Afin de garantir une combustion et une évacuation adéquates des gaz par les conduites de la cheminée des appareils à combustion, une bonne aération est nécessaire pour éviter le refoulement. Respectez les lignes directrices fournies par le fabricant du matériel chauffant, ainsi que les normes de sécurité comme celles publiées par la National Fire Protection Association (NFPA) et la American Society for Heating, Refrigeration and Air Conditioning Engineers (ASHRAE) aux États-Unis, ainsi que les codes en vigueur dans votre région.

3. Lorsque vous faites une ouverture ou percez dans un mur ou le plafond, veillez à ne pas endommager les fils électriques ou d'autres dispositifs cachés.
4. Les ventilateurs canalisés doivent toujours être raccordés à l'extérieur.

TOUTE OUVERTURE DANS LE MUR OU LE PLANCHER À PROXIMITÉ DE LA HOTTE DOIT ÊTRE SCELLÉE.

**Un espace libre d'au moins 24" est requis** entre le bas de la hotte et la surface de cuisson ou le comptoir. Cette hotte a été homologuée par l'UL à cette distance de la surface de cuisson. L'espace libre minimal requis peut-être plus grand, selon la réglementation en matière de construction de votre région. Pour les cuisinières à gaz et les cuisinières combinées, un espace minimal de 30" est recommandé et pourrait être exigé.

Les armoires suspendues de chaque côté de l'appareil doivent se trouver à au moins 18" de la surface de cuisson ou du comptoir. Consultez la notice d'installation de la surface de cuisson ou de la cuisinière fournie par le fabricant avant de pratiquer des ouvertures.

**INSTALLATION DANS UNE MAISON MOBILE** L'installation de cette hotte doit être conforme à la Partie 3280 de la norme Manufactured Home Construction and Safety Standards, Title 24 CFR (précédemment la partie 280 de la norme Federal Standard for Mobile Home Construction and Safety, Title 24, HUD). Consultez la fiche technique électrique.

### CRITÈRES DE VENTILATION

Déterminez quelle méthode de ventilation est mieux adaptée à votre application. Les conduits peuvent passer par le mur ou le toit.

Pour garantir une meilleure efficacité, la longueur des conduits et le nombre de coudes doivent être le plus limités que possible. Le diamètre des conduits devrait être uniforme. N'installez pas deux coudes ensemble. Utilisez un ruban pour canalisations afin de sceller tous les joints du système de conduits. Utilisez un calfeutrage pour sceller les ouvertures dans le mur extérieur ou le plancher, autour du clapet.

**Il n'est pas recommandé d'utiliser des conduits flexibles. Les conduits flexibles provoquent une contre-pression et de la turbulence qui diminuent grandement l'efficacité de l'appareil.**

Assurez-vous que l'espace libre dans le mur ou le plancher est suffisant pour le conduit d'évacuation avant de pratiquer les ouvertures. Ne coupez jamais une poutre ou un chevron, sauf si c'est absolument nécessaire. S'il s'avère nécessaire de couper une poutre ou un chevron, la construction d'un renforcement est requise.

**AVERTISSEMENT - Pour réduire le risque d'incendie, utilisez uniquement des conduits métalliques.**

**ATTENTION - Pour réduire le risque d'incendie et pour évacuer adéquatement l'air, assurez-vous de raccorder les conduits à l'extérieur – Ne diffusez pas l'air d'évacuation dans des espaces à l'intérieur des murs ou du plafond, ou encore à l'intérieur d'un grenier, d'une galerie technique ou d'un garage.**



## AVERTISSEMENT

- Le système de ventilation DOIT déboucher à l'extérieur.
- **NE FAITES PAS** déboucher les conduits dans un grenier ou un autre endroit fermé.
- **N'UTILISEZ PAS** un clapet de sècheuse mural de 4 po.
- Il n'est pas recommandé d'utiliser des conduits flexibles.
- **N'ENTRAVEZ PAS** le flux de l'air de combustion et de ventilation.
- Le non-respect des exigences en matière de ventilation pourrait entraîner un incendie.





# AVERTISSEMENT

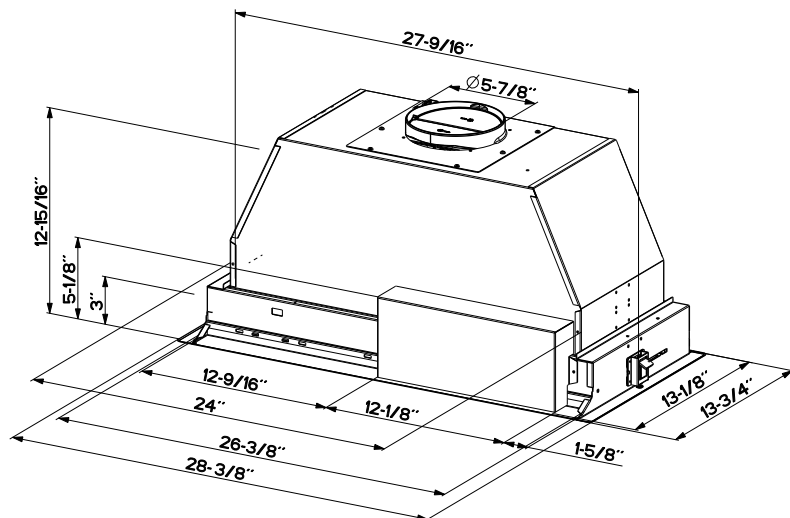
- Une mise à la terre électrique est requise pour cette hotte.
- N'UTILISEZ PAS un tuyau d'eau froide pour la mise à la terre si celui-ci est branché par des joints en plastique, par des rondelles non métalliques ou d'autres matériaux.
- N'UTILISEZ PAS une conduite de gaz pour la mise à la terre.
- N'INSTALLEZ PAS un fusible sur le circuit neutre ou le circuit de mise à la terre. La présence d'un fusible dans le circuit neutre ou de mise à la terre peut entraîner un choc électrique.
- Consultez un électricien qualifié si vous n'êtes pas certain de la mise à la terre de la hotte.
- Le non-respect des exigences de la fiche technique électrique pourrait entraîner un incendie.

## **Avertissement de la proposition 65 de l'État de Californie (US seulement)**

### **⚠ ATTENTION**

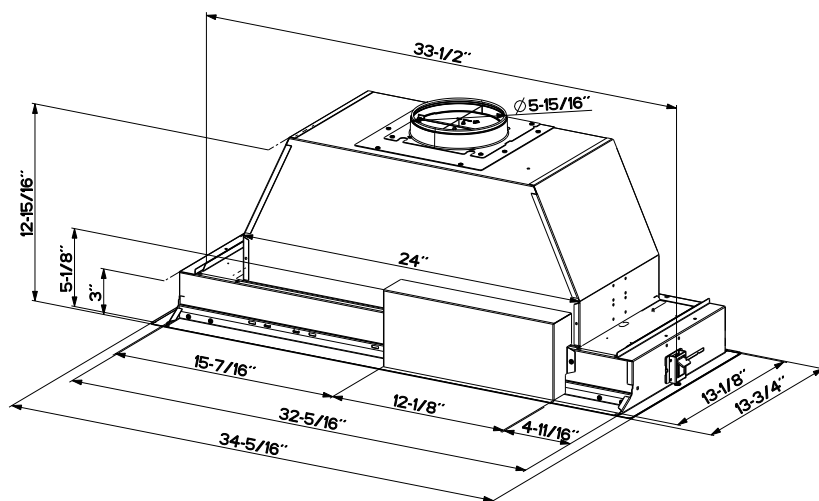
Ce produit contient des produits chimiques connus de l'État de Californie pour causer le cancer et des malformations congénitales ou d'autres problèmes de reproduction. Pour plus d'informations, visitez [www.P65Warnings.ca.gov](http://www.P65Warnings.ca.gov)

## DIMENSIONS DE LA HOTTE

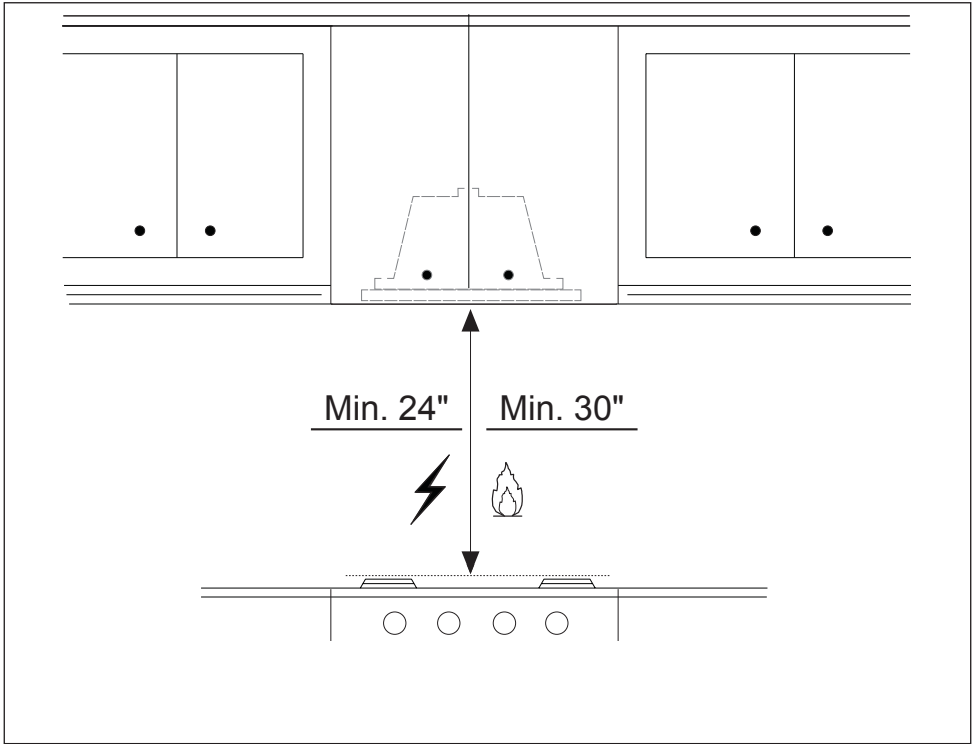


**INHC29SSV**

## DIMENSIONS DE LA HOTTE



**INHC35SSV**



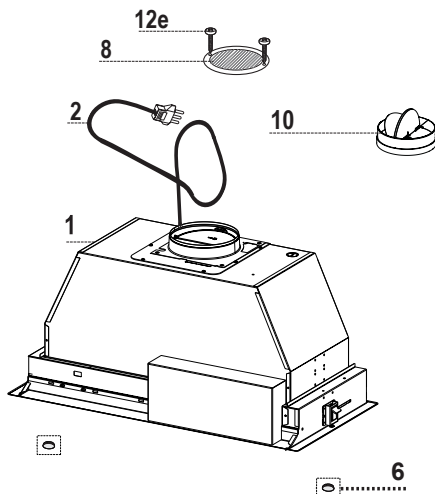
## PIÈCES PRINCIPALES

### Composants

Réf.	Qté	Composants du produit
1	1	Bâti de la hotte, avec: Comman- dantes, éclairages, filtres, ventila- teur.
2	1	Câble d'alimentation
6	2	Chapeaux
8	1	Grille d'évent de recirculation
10	1	Registre $\varnothing$ 5 7/8"

Réf.	Qté	Composants d'installation
12e	2	Vis 1/8" x 3/8" (pour montage de la grille de recir- culation)

Qté	Documentation
1	Mode d'emploi



### Pièces requises

- Conduit métallique 6" circulaire.

### Accessoires disponibles

No d'article - Boîtier de connexion directe : WIREBOX

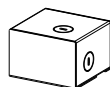
Doublure 30" acier inoxydable, no LINE30ST (Utiliser uniquement avec INHC29SSV)

Doublure 36" acier inoxydable, no LINE36ST (Utiliser uniquement avec INHC29SSV)

Filtre à charbon actif No d'article FILTER1

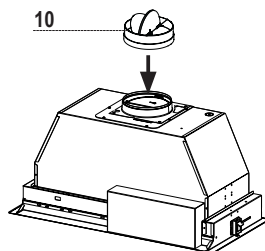
Filtre à charbon actif de longue durée No d'article FILTER1LL

Télécommande accessoire - REMCTRL2



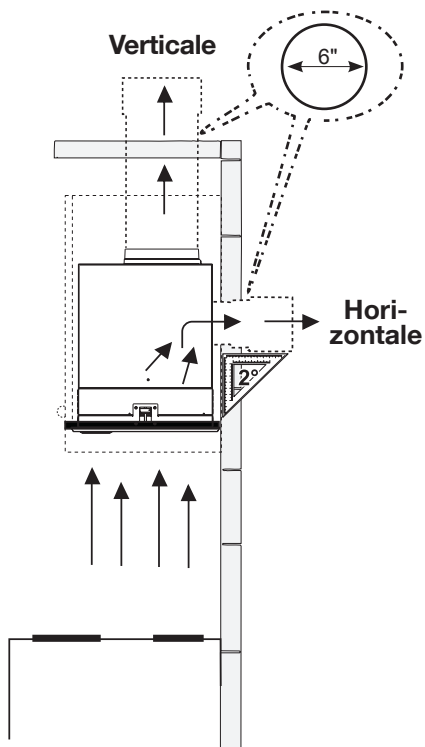
## Pour installation avec ventilation canalisée uniquement

Installez le registre inclus avec la hotte avant de la raccorder aux conduits.



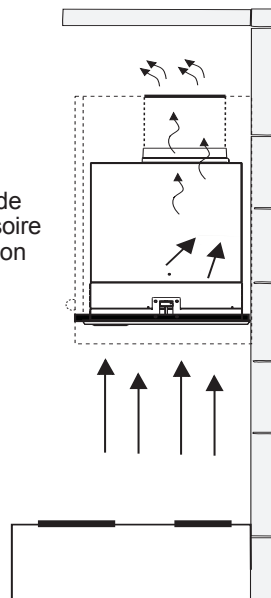
## Choisissez la méthode de canalisation

### Installation avec ventilation canalisée



### Sans canalisation - de recirculation

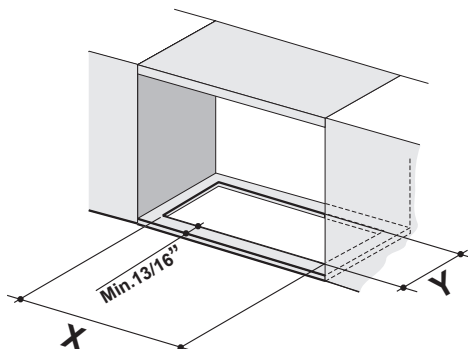
Exige l'achat de l'accessoire à charbon actif



## Notice d'installation

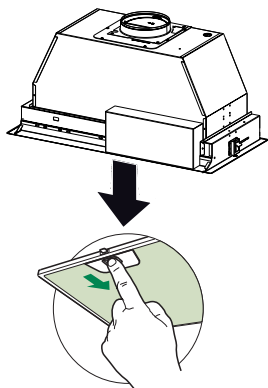
1

Hotte	29"	35"
X	27 5/8"	33 3/4"
Y	13 9/16"	13 9/16"



Pratiquez l'ouverture sur la face inférieure de l'armoire, comme illustré à la Figure 1.

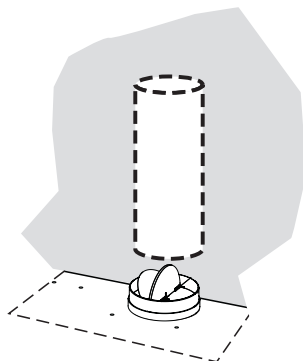
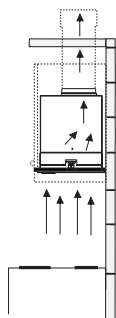
2



Retirez les trois filtres de la hotte encastrable avant de l'installer dans l'armoire.

3.a

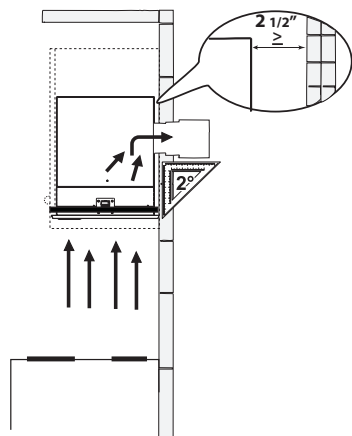
### Installation avec canalisation verticale



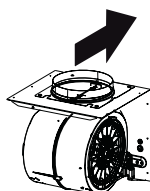
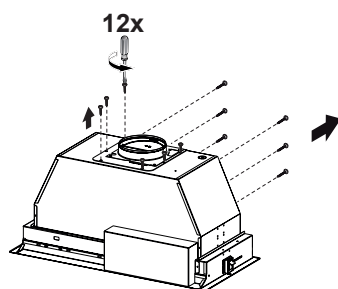
Installez le clapet de toiture ou le clapet mural acheté séparément. Raccordez le conduit métallique de 6" au clapet de toiture ou au clapet mural, puis raccordez les conduits.

## 3.b

### Horizontal Ducting Installation



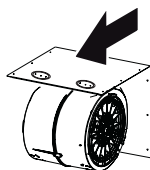
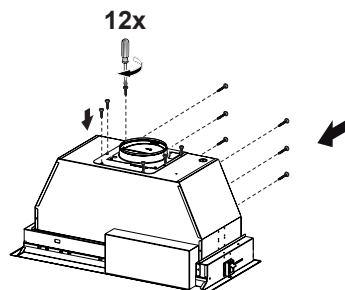
Pour l'installation d'une canalisation horizontale (à l'arrière), un espace d'au moins  $2\frac{1}{2}''$  est requis entre l'arrière de la hotte encastrable et le mur.



Pour l'installation d'une canalisation horizontale, le moteur doit d'abord être détaché. Pour ce faire, retirez les 12 vis comme illustré.

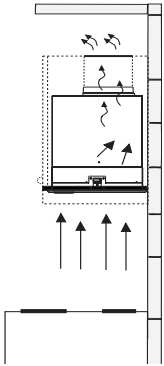
180°

90°



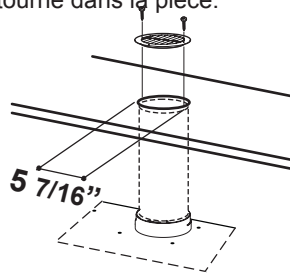
Lorsque les vis sont enlevées, dégagez le ventilateur du bâti de la hotte encastrable et placez-le de façon à ce que l'ouverture de passage de l'air se trouve face au mur arrière (dégagez-le de l'arrière et faites-le tourner de 180 degrés vers la gauche, puis inclinez-le de 90 degrés vers l'arrière, comme illustré dans le diagramme).

Lorsque le ventilateur est en place, posez les 12 vis pour fixer le moteur au bâti de la hotte encastrable.

**4****Option non canalisée avec recirculation d'air**

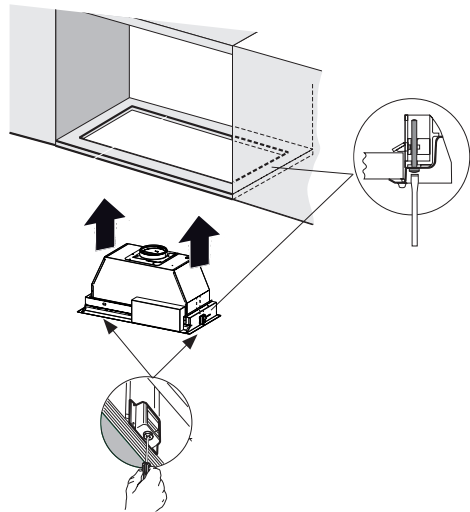
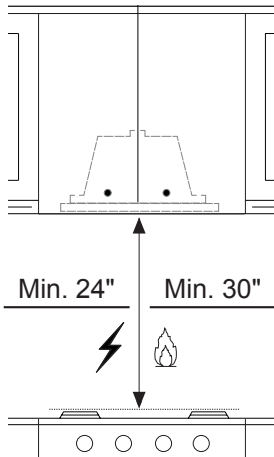
Pour la ventilation avec recirculation sans canalisation, dirigez les conduits à un emplacement au-dessus de la hotte où l'air évacué est retourné dans la pièce.

Utilisez la grille d'évent de recirculation pour couvrir l'ouverture. Fixez la grille à l'aide des 2 vis fournies dans la trousse d'installation.



Filtere à charbon actif accessoire requis - no d'article - FILTER1

Filtere à charbon actif de longue durée# FILTER1LL (acheté séparément)

**5**

Insérez la hotte encastrable à l'intérieur de l'armoire par l'ouverture de l'armoire. Sa hauteur minimale doit être de 16". Prévoyez la canalisation.

La hotte est fixée à l'ouverture de l'armoire par deux brides à ressort, une de chaque côté de la hotte.

On recommande que la hotte encastrable s'appuie sur une base de bois de 3/4" pour garantir un alignement correct des deux fixations latérales.

Lorsque la hotte encastrable est installée dans l'ouverture de l'armoire, fixez-la en serrant sous la hotte encastrable les vis indiquées sur chacune des fixations latérales.

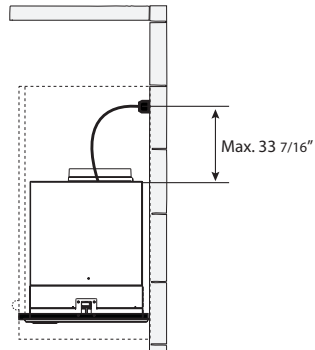


## 6 INSTALLATION ÉLECTRIQUE AVEC CÂBLE DE CONNEXION

**INSTRUCTIONS DE MISE À LA TERRE** Cet appareil doit être mis à la terre. La mise à la terre réduit le risque de choc électrique en cas de court-circuit, car elle fournit un fil d'évacuation au courant électrique. Cet appareil est muni d'un cordon présentant un fil de mise à la terre, avec une fiche de mise à la terre. La fiche doit être insérée dans une prise correctement installée et mise à la terre.

**AVERTISSEMENT** - Une mise à la terre inadéquate peut entraîner un choc électrique.

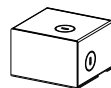
Consultez un électricien qualifié si vous ne comprenez pas parfaitement les instructions de mise à la terre ou si vous avez des doutes quant à la mise à la terre de l'appareil. N'utilisez pas de rallonge. Si le cordon d'alimentation est trop court, demandez à un électricien qualifié d'installer une prise à proximité de l'appareil.



## INSTALLATION ÉLECTRIQUE AVEC BOÎTIER DE CONNEXION EN OPTION

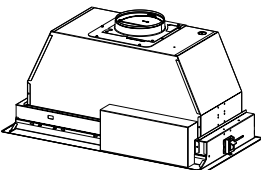
Pour une installation avec connexion fixe, utilisez uniquement la trousse de boîtier de connexion pour hotte indiquée, no d'article WIREBOX, fabriquée par Faber.

Boîtier de connexion directe, no d'article WIREBOX (acheté séparément)

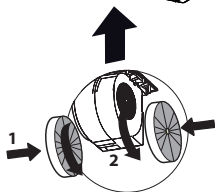


## 7 Pour option non canalisée avec recirculation d'air

Fixez les filtres à charbon à la grille noire de chaque côté du ventilateur. Pressez fermement le filtre à charbon contre la grille



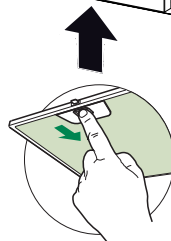
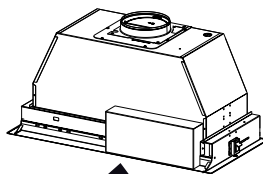
noire de chaque côté du ventilateur et faites tourner le filtre dans le sens des aiguilles d'une montre (vers l'avant de la hotte encastrable) jusqu'à ce qu'il soit verrouillé en place. Faites tourner dans le sens contraire des aiguilles d'une montre (vers l'arrière de la hotte encastrable) pour l'enlever.



Filtre à charbon actif accessoire requis - no d'article - FILTER1  
Filtre à charbon actif de longue durée# FILTER1LL (acheté séparément)

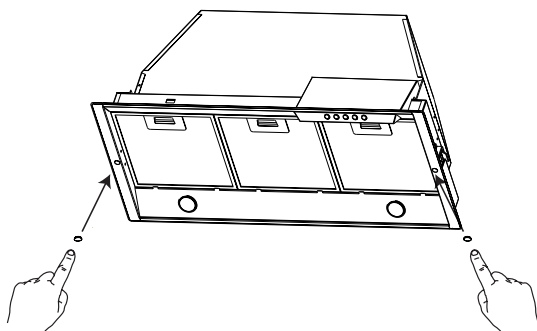


## 8



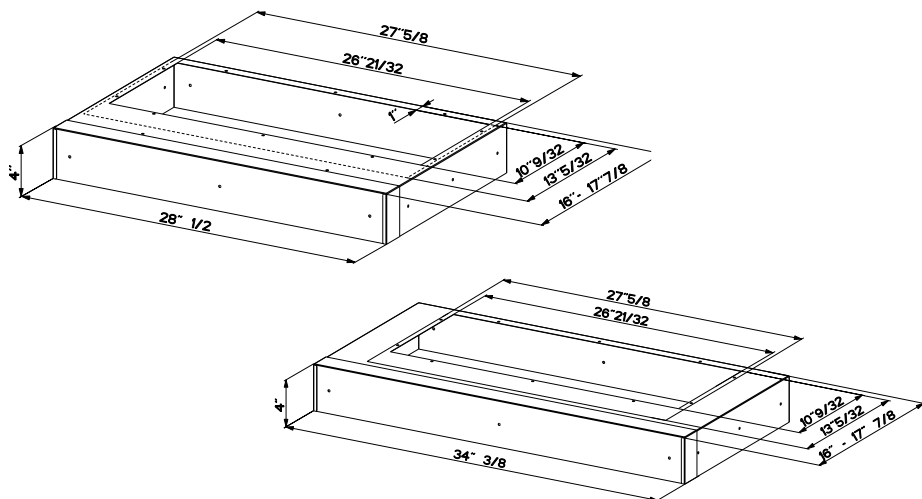
Remplacez les filtres à graisse enlevés précédemment.

9



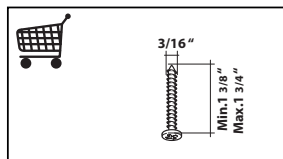
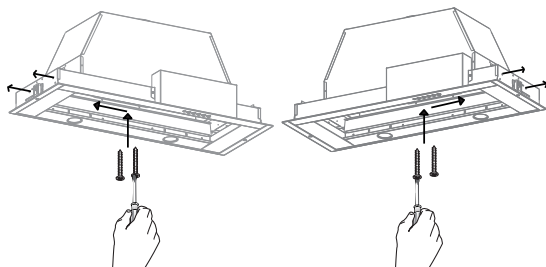
Insérez les 2 chapeaux dans les trous de vis, comme illustré.

### DIMENSIONS DE LA CAISSE



"Remarque: Les liners standard doivent avoir la perforation centrale retirée pour l'installation"

### POINTS DE FIXATION SUPPLEMENTAIRES



"Remarque: points de fixation supplémentaires possibles du produit avec 4 vis"

## POUR L'INSTALLATION AVEC CAISSES



### AVERTISSEMENT

Lorsque vous construisez un habillage de hotte sur mesure, assurez-vous de toujours respecter les codes et normes applicables.

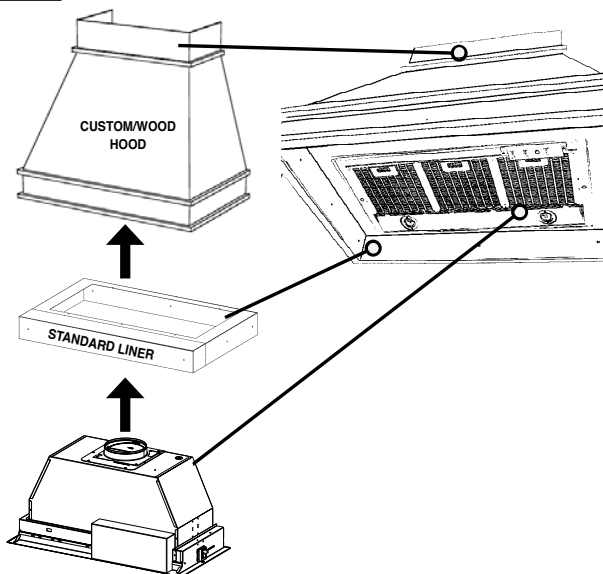
La hotte Inca HC peut être utilisée avec des armoires et habillages sur mesure d'une largeur de 30" et plus. Vous pouvez choisir une caisse sur mesure ou nos caisses standards conçues pour occuper un espace de 30" ou de 36" de largeur.

Les caisses offrent une finition parfaitement étanche et incombustible sur la partie inférieure de votre habillage de hotte sur mesure/ en bois.

Les caisses standards sont formées de deux sections : une section arrière plus large (précoupée pour l'insertion de la hotte Inca Smart) et une section avant, permettant de régler la profondeur (entre 16" et 17 7/8").

**!!! REMARQUE IMPORTANTE :**  
VOUS DEVEZ ENLEVER LA SECTION SUPPLÉMENTAIRE PERFORÉE AUTOUR DE LA SECTION PRÉCOUPÉE LORSQUE VOUS INSTALLEZ UNE CAISSE STANDARD AVEC LE MODÈLE INCA HC.

Tenez compte de la forme, de la dimension et du poids de la hotte Inca HC et de la caisse pour déterminer la configuration de l'habillage de hotte sur mesure/en bois.



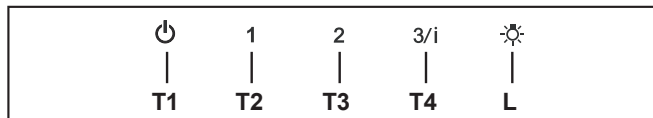
1. L'habillage de hotte sur mesure/en bois doit présenter une base solide (contre-plaqué de 3/4" recommandé) pour permettre l'ouverture pour la hotte Inca HC. La base doit être amincie pour accueillir la hauteur de la caisse (consultez **DIMENSIONS DE LA CAISSE** à la page 30). La caisse se fixe au bas de la base à l'aide de vis adaptées à la dimension et au matériau de votre habillage de hotte sur mesure/en bois. La hotte Inca HC s'insère dans l'ouverture de la caisse et de la base.

2. Placez la section arrière de la caisse pour qu'elle coïncide avec le bord arrière de l'habillage de hotte sur mesure/en bois. À l'aide d'un stylo, tracez le contour de l'ouverture précoupée. Retirez la caisse et **PRATIQUEZ VOS OUVERTURES**. Installez les deux sections de la caisse et **INSTALLEZ LA hotte**.

## INFORMATIONS POUR L'UTILISATION ET L'ENTRETIEN

### Pour de meilleurs résultats

Activez la hotte quelques minutes avant de commencer à cuisiner pour créer un flux d'air adéquat. Laissez la hotte fonctionner quelques minutes après avoir fini de cuisiner pour absorber toute la fumée et les odeurs de la cuisine.



**T1.** Bouton arrêt du ventilateur : éteint le ventilateur. Le ventilateur peut être allumé en appuyant sur l'un ou l'autre des boutons de réglage.

Tenez ce bouton enfoncé pendant 2 secondes pour activer la fonction de désactivation retardée, qui éteindra automatiquement le ventilateur après 15 minutes de marche.

**T2.** Boutons de réglage du ventilateur : vitesse réduite.

**T3.** Boutons de réglage du ventilateur : vitesse moyenne.

**T4.** Boutons de réglage du ventilateur : vitesse élevée / vitesse intensive.

Tenez le bouton enfoncé pendant environ 2 secondes pour activer la vitesse intensive, pour une durée de 6 minutes. Après ce délai, la vitesse retournera automatiquement à la vitesse sélectionnée précédemment. Utile pour contrer les émanations maximales de cuisson.

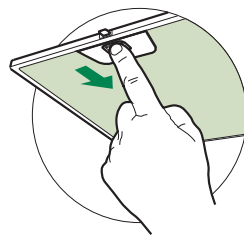
**L.** Bouton pour l'éclairage: commutateur marche/arrêt pour l'éclairage.

**REMARQUE:** Si votre produit a subi un réglage CFM, reportez-vous au manuel de réglage CFM pour plus d'informations. Certaines vitesses de moteur des fonctions peuvent être réduites.

## Nettoyage des filtres à graisse métalliques

Les filtres à graisse métalliques peuvent être lavés dans une solution d'eau chaude savonneuse ou dans le lave-vaisselle. Ils devraient être nettoyés tous les 2 mois, ou plus fréquemment en cas d'utilisation particulièrement intensive.

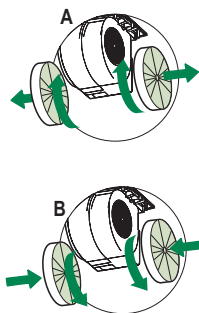
- Retirez le filtre, en poussant simultanément le levier vers l'arrière de l'appareil et en le tirant vers le bas.
- Lavez le filtre sans le plier. Laissez-le sécher complètement avant de le réinstaller (un changement de la couleur à la surface du filtre au fil du temps n'a aucun impact sur son efficacité).
- Remettez-le en place, en vous assurant que la poignée se trouve vers l'avant.
- Le lave-vaisselle pourrait ternir le fini du filtre à graisse métallique.
- Aucune eau ne peut être présente dans les filtres avant la réinstallation dans la hotte.



## Remplacement du filtre à charbon actif

Les filtres à charbon actif ne sont pas lavables et ne peuvent être régénérés. Ils devraient être remplacés environ tous les 4 mois d'utilisation, ou plus souvent en cas d'utilisation intensive.

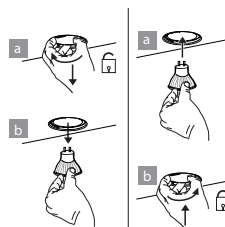
- Enlevez le filtre à charbon en le faisant tourner dans le sens des aiguilles d'une montre (vers l'arrière) jusqu'à ce qu'il se dégage du carter du moteur, puis en le tirant vers le côté.
- Pour réinsérer les filtres, placez-les sur le côté du ventilateur et poussez-les vers l'intérieur. Tournez ensuite le filtre à charbon dans le sens des aiguilles d'une montre (vers l'avant) jusqu'à ce qu'il soit bien installé.



**Attention:** "En mode recirculation, pour réduire le risque d'incendie et de choc, utilisez uniquement le kit de conversion Modèle FILTER 1 et FILTER1LL"

## Système d'éclairage

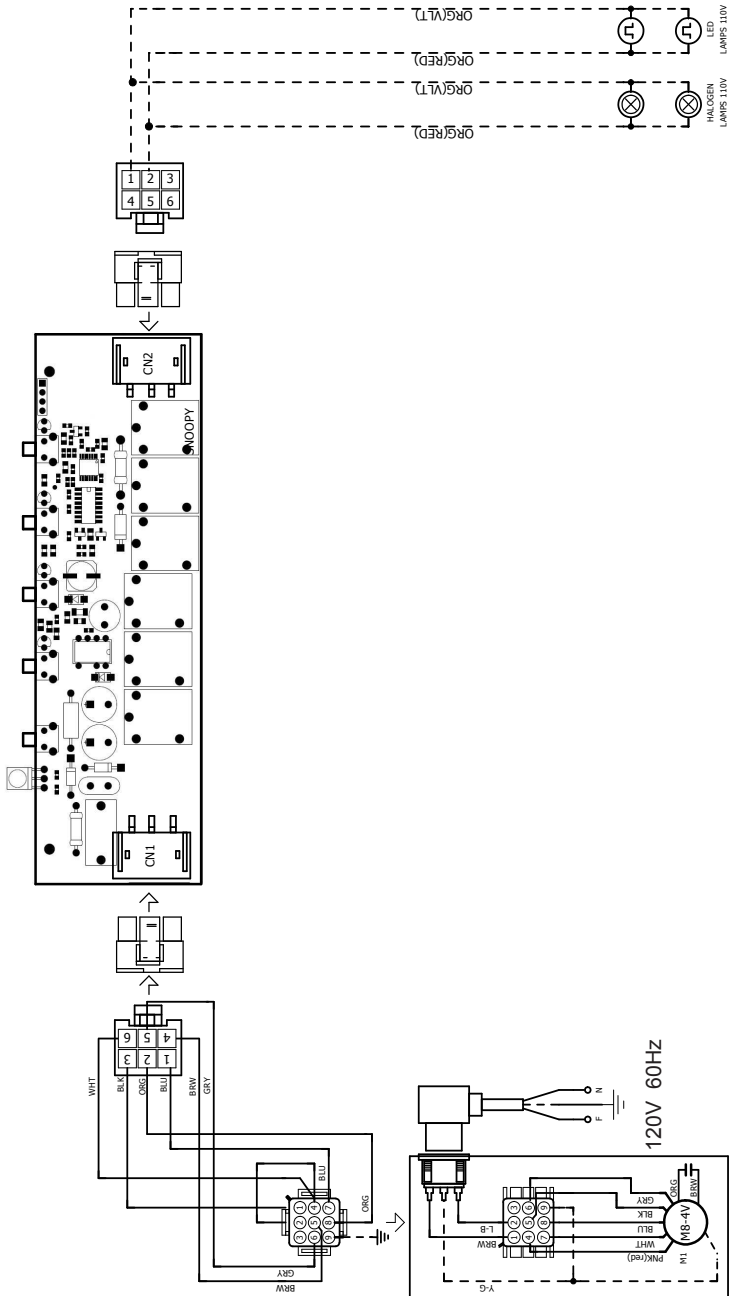
- Remplacez l'ampoule avec une nouvelle du même type, en vous assurant d'insérer correctement les deux connecteurs dans leur logement sur le socle.



Lampes DEL à ballast intégré de type Gu10 – répondant à la norme UL 1993/nmx-j-578/1-ance/csa c22.2 No 1993



# Schéma de câblage





## GARANTIE LIMITÉE ET SERVICE FABER

Tous les produits Faber font l'objet d'une garantie contre les défauts de matériel et de main-d'œuvre, accordée à l'acheteur original pour une période d'un (1) an à compter de la date d'achat initiale (preuve d'achat requise). Cette garantie couvre les frais de main-d'œuvre et les pièces de rechange. À sa discrétion, Faber peut réparer ou remplacer le produit ou les composants nécessaires à remettre le produit en bon état de marche. Pour bénéficier de services prévus par la garantie, veuillez communiquer avec le détaillant auprès duquel vous avez acheté la hotte de cuisine, ou encore avec le distributeur Faber de votre région. Si vous n'êtes pas en mesure de localiser un distributeur Faber dans votre région, veuillez communiquer avec nous au 508-358-5353 pour connaître le nom d'un distributeur à proximité.

### Les éléments suivants ne sont pas visés par la garantie Faber :

1. Les appels au service de réparation visant à corriger l'installation de la hotte de cuisine, à recevoir des instructions sur l'utilisation de la hotte de cuisine, le remplacement ou la réparation des fusibles du domicile ou la correction des câblages ou de la plomberie du domicile.
2. Les appels au service de réparation visant à réparer ou remplacer les ampoules électriques de hotte, les fusibles ou les filtres. Ces pièces consommables ne sont pas couvertes par la garantie.
3. Les réparations si votre hotte de cuisine est employée à des fins autres que celles prévues, soit l'utilisation résidentielle normale pour une famille.
4. Les dommages découlant d'un accident, d'une modification, de l'utilisation incorrecte ou abusive, d'un incendie, d'une inondation, d'un cas de force majeure, d'une installation inadéquate, d'une installation non conforme aux codes en matière d'électricité ou de plomberie ou à la documentation fournie par Faber, ou encore d'une utilisation du produit non approuvée par Faber.
5. Les frais de main-d'œuvre ou de remplacement des pièces pour les appareils utilisés à l'extérieur des États-Unis ou du Canada, y compris toutes les hottes de cuisine Faber non-UL ou C-UL homologuées.
6. Les réparations à la hotte découlant de modifications non autorisées apportées à la hotte de cuisine.
7. Les frais encourus pour les déplacements et le transport de produits en région éloignée et les frais de cueillette et livraison. La réparation des hottes de cuisine Faber doit être réalisée à domicile.

LA PRÉSENTE GARANTIE NE PRÉVOIT AUCUNE FORME DE DÉDOMMAGEMENT EN CAS DE DOMMAGES ACCESSOIRES OU CONSÉCUTIFS, Y COMPRIS, SANS TOUTEFOIS S'Y LIMITER, LES DOMMAGES DIRECTS, INDIRECTS, ACCESSOIRES, PARTICULIERS OU CONSÉCUTIFS, LES LÉSIONS CORPORELLES/MORTELLES OU LA PERTE DE PROFITS. LA GARANTIE OFFERTE PAR FABER EST LIMITÉE AUX CONDITIONS ÉNONCÉES CI-DESSUS ET À LA PÉRIODE DE GARANTIE INDIQUÉE DANS LES PRÉSENTES ET EST EXCLUSIVE. SAUF DISPOSITIONS EXPRESSES CONTRAIRES DANS LE PRÉSENT ACCORD, FABER DÉCLINE TOUTE CONDITION, REPRÉSENTATION OU GARANTIE EXPLICITE OU IMPLICITE, Y COMPRIS, SANS TOUTEFOIS S'Y LIMITER, TOUTE GARANTIE IMPLICITE DE QUALITÉ MARCHANDE OU D'ADAPTATION À UN USAGE PARTICULIER.

Les droits qui vous sont conférés en vertu de la présente garantie peuvent varier d'une province ou d'un État à l'autre.

N° de modèle : \_\_\_\_\_

N° de série : \_\_\_\_\_

4 janvier 2016

# LEA Y GUARDE ESTAS INSTRUCCIONES ANTES DE COMENZAR A INSTALAR ESTA CAMPANA

## **ADVERTENCIA: - PARA REDUCIR EL RIESGO DE INCENDIO DE LA CAMPANA POR GRASA:**

- a) Nunca deje las unidades de superficie desatendidas en ajustes altos. Las ebulliciones causan humo y derrames grasientos que pueden encenderse. Caliente los aceites lentamente en ajustes bajos o medios.
- b) Siempre encienda la campana cuando cocine a fuego alto o cuando flamee alimentos (por ej. Crepes Suzette, Cherries Jubilee, Peppercorn Beef Flambé).
- c) Limpie los ventiladores con frecuencia. No se debe permitir que la grasa se acumule en el ventilador o filtro.
- d) Use un tamaño de olla adecuado. Utilice siempre utensilios de cocina apropiados para el tamaño del elemento de superficie.

## **ADVERTENCIA: - PARA REDUCIR EL RIESGO DE LESIONES A PERSONAS EN CASO DE INCENDIO DE GRASA, TENGA CUENTA LO SIGUIENTE\*:**

- A) APAGUE LAS LLAMAS con una tapa ajustada, bandeja para hornear galletas o bandeja de metal, luego apague el quemador. TENGA CUIDADO PARA EVITAR QUEMADURAS. Si las llamas no se apagan de inmediato, EVACUE Y LLAME AL DEPARTAMENTO DE BOMBEROS.
- b) NUNCA RECOJA UNA OLLA EN LLAMAS - Puede quemarse.
- c) NO USE AGUA, incluidos paños de cocina húmedos o toallas; se producirá una violenta explosión de vapor.
- D) Use un extintor SOLAMENTE si:
  1. Usted sabe que tiene un extintor Clase ABC y ya sabe cómo operarlo.
  2. El fuego es pequeño y está contenido en el área donde comenzó.
  3. Se llama al departamento de bomberos.
  4. Puede luchar contra el fuego con su espalda hacia una salida.

\*Basado en "Kitchen Firesafety Tips" publicado por NFPA

## **ADVERTENCIA - PARA REDUCIR EL RIESGO DE DESCARGA ELÉCTRICA O INCENDIO, no use este ventilador con ningún dispositivo de control de velocidad de estado.**

## **ADVERTENCIA - PARA REDUCIR EL RIESGO DE INCENDIOS, DESCARGAS ELÉCTRICAS O LESIONES PERSONALES, OBSERVE LO SIGUIENTE:**

1. Use esta unidad solo de la manera prevista por el fabricante. Si tiene alguna pregunta, comuníquese con el fabricante.
2. Antes de reparar o limpiar la unidad, apague el equipo en el panel de servicio y bloquee los medios de desconexión del servicio para evitar que la energía se encienda accidentalmente. Cuando los medios de desconexión del servicio no se puedan bloquear, fije de forma segura un dispositivo de advertencia prominente, como una etiqueta, al panel de servicio.

**PRECAUCIÓN:** Para uso general de ventilación solamente. No lo use para expulsar materiales y vapores peligrosos o explosivos.

## **ADVERTENCIA - PARA REDUCIR EL RIESGO DE INCENDIOS, DESCARGAS ELÉCTRICAS O LESIONES PERSONALES, OBSERVE LO SIGUIENTE:**

1. El trabajo de instalación y el cableado eléctrico deben realizarlo las personas calificadas de acuerdo con todos los códigos y estándares aplicables, incluida la construcción con clasificación de incendio.
2. Se necesita suficiente aire para la combustión adecuada y el escape de gases a través del tubo de humos (chimenea) del equipo que quema combustible para evitar la retrogresión. Siga las directrices del fabricante del equipo de calefacción y las normas de seguridad tales como los publicados por la National Fire Protection Association (NFPA), la American Society for Heating, Refrigeration and Air Conditioning Engineers (ASHRAE) y las autoridades de los códigos locales.
3. Al cortar o perforar la pared o el techo, no dañe el cableado eléctrico ni otros servicios ocultos.
4. Los ventiladores con conductos siempre deben tener salida al exterior.



TODAS LAS ABERTURAS DE LA PARED Y EL PISO DONDE ESTÁ INSTALADA LA CAMPANA SE DEBEN SELLAR.

**Esta campana requiere al menos 24" de espacio libre** entre la parte inferior de la campana y la superficie de cocción o encimera. Esta campana ha sido aprobada por UL a esta distancia de la placa.

Esta separación mínima puede ser mayor dependiendo de los códigos de construcción locales. Para placas de gas y cocinas combinadas, se recomienda y puede ser necesario un mínimo de 30".

Los armarios superiores a ambos lados de esta unidad deben estar a un mínimo de 18" por encima de la superficie de cocción o la encimera. Consulte las instrucciones de instalación de la placa de cocción o la campana proporcionadas por el fabricante antes de hacer cualquier corte. **INSTALACIÓN EN CASA MÓVIL** La instalación de esta campana debe cumplir con las Normas de seguridad y construcción de viviendas prefabricadas, Título 24 CFR, Parte 3280 (anteriormente Norma federal para construcción y seguridad de casas móviles, Título 24, HUD, Parte 280). Vea los requisitos eléctricos.

## REQUISITOS DE VENTILACIÓN

Determine qué método de ventilación es mejor para su aplicación. Los conductos pueden extenderse a través de la pared o el techo.

La longitud de los conductos y la cantidad de codos se deben mantener al mínimo para proporcionar un rendimiento eficiente. El tamaño de los conductos debe ser uniforme. No instale dos codos juntos. Use cinta adhesiva para sellar todas las juntas en el sistema de conductos. Use masilla para sellar la pared exterior o la abertura del piso alrededor de la tapa.

**NO se recomiendan conductos flexibles. Los conductos flexibles crean una contrapresión y turbulencias de aire que reducen en gran medida el rendimiento.**

Asegúrese de que haya espacio libre adecuado dentro de la pared o el piso para el conducto de escape antes de hacer los cortes. No corte una vigueta o poste a menos que sea absolutamente necesario. Si se debe cortar una vigueta o poste, entonces se debe construir un marco de soporte.

**ADVERTENCIA - Para reducir el riesgo de incendio, use solamente conductos de metal.**

**PRECAUCIÓN - Para reducir el riesgo de incendio y para descargar adecuadamente el aire, asegúrese de sacar el aire hacia el exterior - No expulse los humos en espacios dentro de paredes o techos, áticos, espacios angostos o garajes.**



## ADVERTENCIA

- El sistema de ventilación DEBE terminar fuera del hogar.
- **NO** termine el conducto en un espacio ático o en otro espacio cerrado.
- **NO** use tapones de pared de 4" tipo lavadero.
- **NO** se recomiendan conductos flexibles.
- **NO** obstruya el flujo del aire de combustión y ventilación.
- El incumplimiento de los requisitos de ventilación puede provocar un incendio.



# ADVERTENCIA

- Esta campana requiere conexión eléctrica de tierra.
- Si la tubería de agua fría está interrumpida por juntas de plástico, de materiales no metálicos u otros materiales, NO la utilice para conexión a tierra.
- NO conecte a tierra a una tubería de gas.
- NO tenga un fusible en el circuito neutro o de tierra. Un fusible en el circuito neutro o de tierra podría provocar una descarga eléctrica.
- Consulte con un electricista calificado si tiene dudas acerca de si la campana está correctamente conectada a tierra.
- El incumplimiento de los requisitos eléctricos puede provocar un incendio.

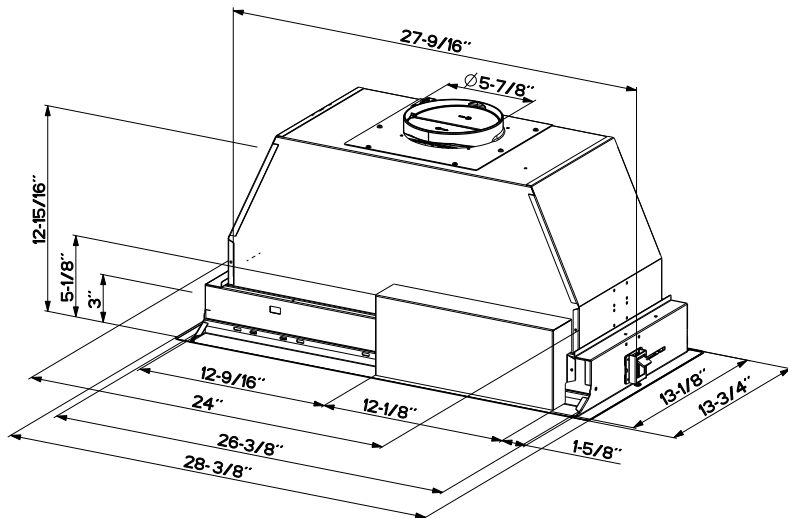
## **Advertencia de la Propuesta 65 del Estado de California (solo EE. UU.)**

### **ADVERTENCIA**

Este producto contiene sustancias químicas que el Estado de California considera que causan cáncer y defectos de nacimiento u otros daños reproductivos.

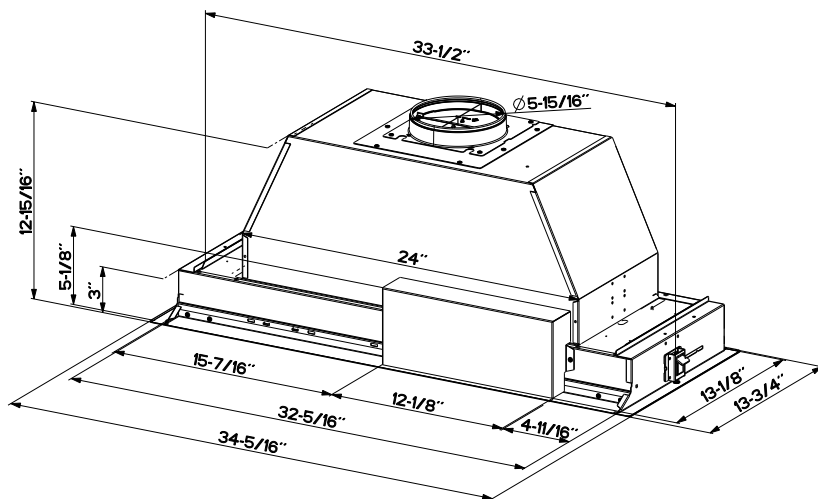
Para obtener más información, vaya a [www.P65Warnings.ca.gov](http://www.P65Warnings.ca.gov)

### DIMENSIONES DE LA CAMPANA

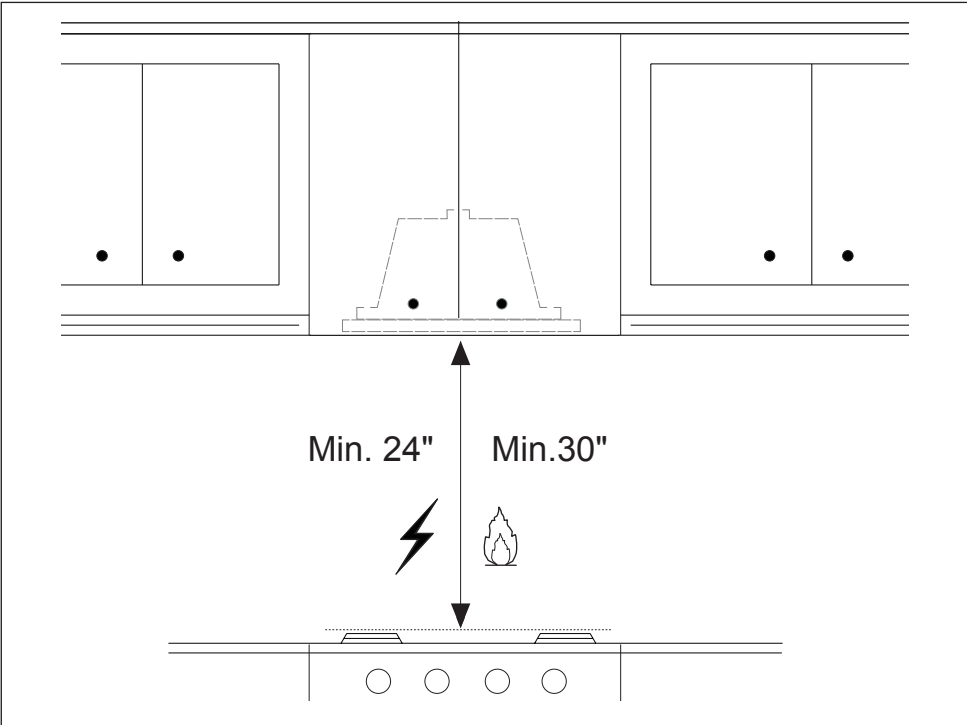


**INHC29SSV**

### DIMENSIONES DE LA CAMPANA



**INHC35SSV**



## PARTES PRINCIPALES

### Componentes

#### Ref. Cdad. Componentes del producto

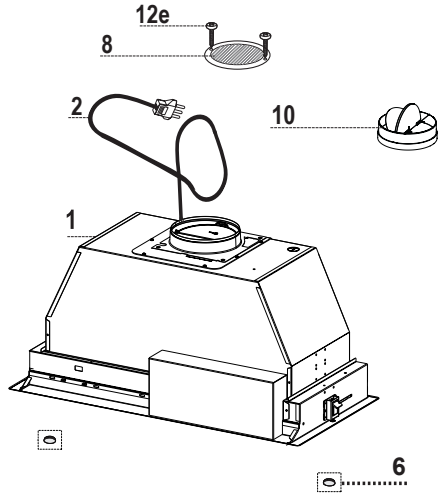
1	1	Cuerpo de la campana, completo de: Controles, Luces, Filtros, Ventilador.
2	1	Cable de alimentación
6	2	Tapón
8	1	Rejilla de ventilación de recirculación
10	1	Registro $\varnothing$ 5 7/8 "

#### Ref. Cdad. Componentes del Instalación

12e	2	Tornillos 1/8" x 3/8" (para el montaje de la rejilla de recirculación)
-----	---	---

#### Cdad. Documentación

1	Manual de instrucciones
---	-------------------------



### Piezas necesarias

- Conducto metálico redondo de 6".

### Accesorios disponibles

Caja de cableado de conexión directa sku #: CAJA DE CABLEADO

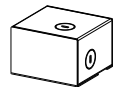
Forro de 30" de acero inoxidable #LINE30ST (Usar solo con INHC29SSV)

Forro de 36" de acero inoxidable #LINE36ST (Usar solo con INHC29SSV)

Filtro de carbón activado sku #: FILTER1

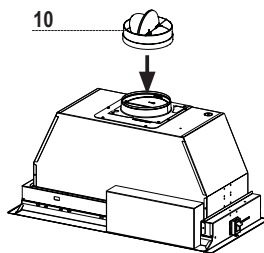
Kit de filtro de carbón lavable de larga duración ; sku# FILTER1LL

Accesorio de mando remoto inalámbrico - REMCTRL 2



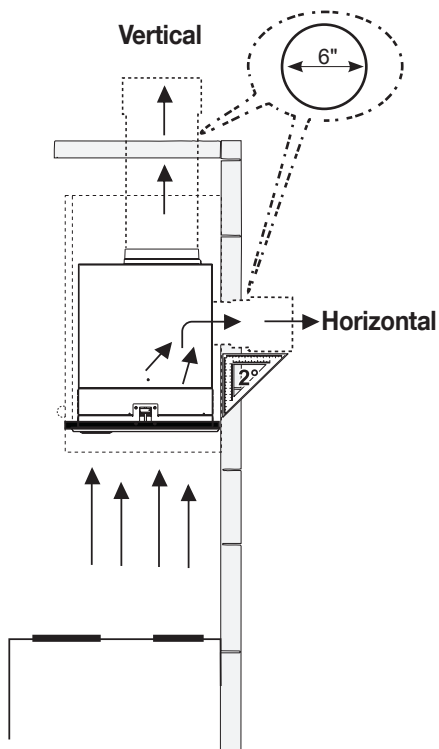
## Solo para instalación de ventilación con conductos

Instale el registro que se incluye con la campana antes de la conexión a la red de conductos.



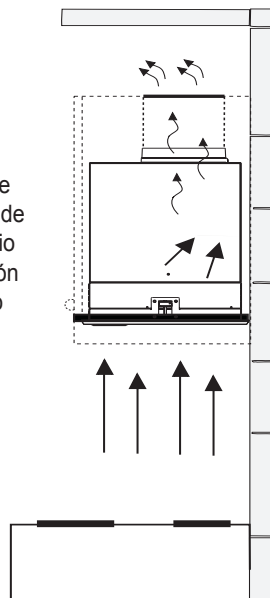
## Elija su método de conducción

### Instalación de ventilación con conductos



### Sin conductos - Recirculación

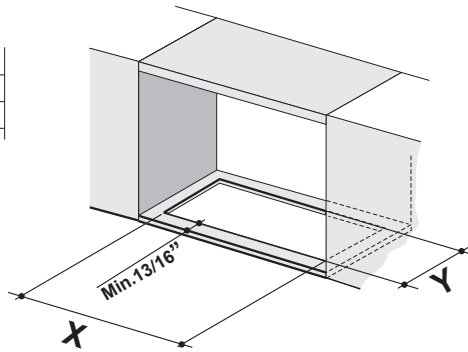
Requiere compra de accesorio de carbón activado



## Instrucciones de instalación

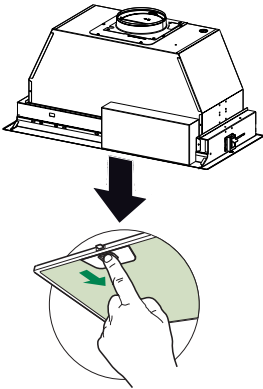
1

Campana	29"	35"
X	27 5/8"	33 3/4"
Y	3 9/16"	13 9/16"



Recorte la abertura en la parte inferior del gabinete como se muestra en la Figura 1.

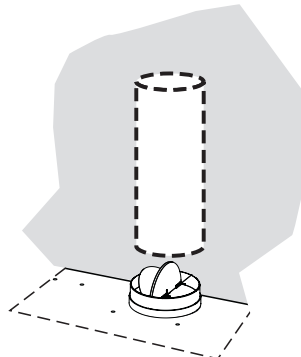
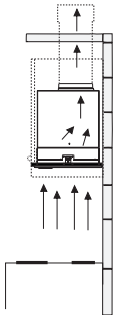
2



Retire los tres filtros de la campana de inserción antes de instalar en el armario.

3.a

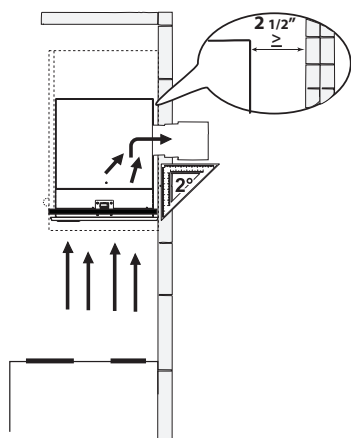
### Instalación de conductos verticales



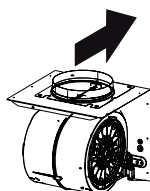
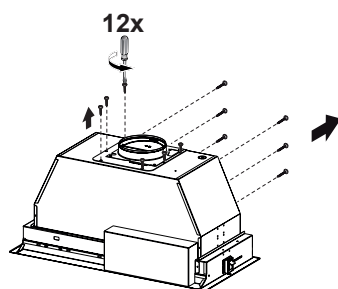
Instale el techo o la tapa de pared comprados por separado. Conecte los conductos metálicos de 6" al techo o a la tapa de pared y luego conecte los conductos.

## 3.b

### Instalación de conductos horizontales



Para conductos horizontales (posteriores) debe haber un mínimo de 2 1/2" de espacio abierto entre la parte posterior de la campana de inserción y la pared.

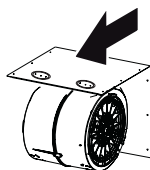
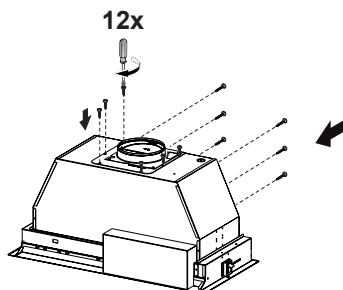


Para una instalación de conductos horizontales, el motor necesita ser desbloqueado retirando primero los 12 tornillos como se muestra.

Una vez retirados los tornillos, extraiga el ventilador de la campana de inserción y colóquelo de modo que la abertura de transición quede orientada hacia la pared posterior (desde la parte posterior, gírelo 180 grados hacia la izquierda y gírelo hacia atrás 90 grados como se muestra en el diagrama).

180°

90°



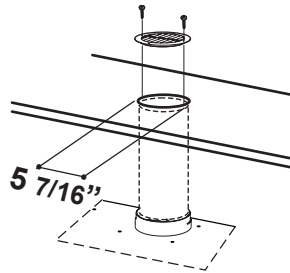
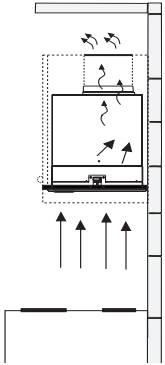
Una vez que el ventilador esté en su lugar, vuelva a instalar los 12 tornillos para sujetar el motor a la campana de inserción.



**4****Opción de recirculación sin conducto**

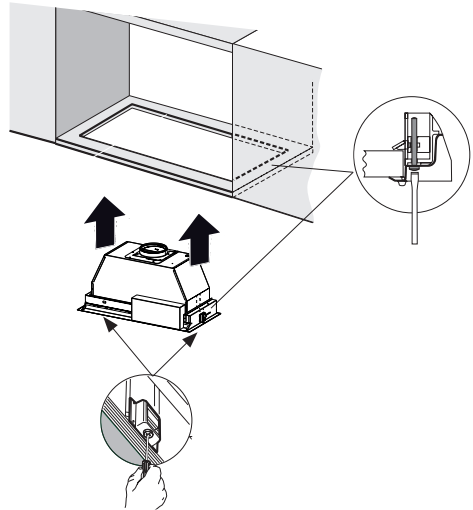
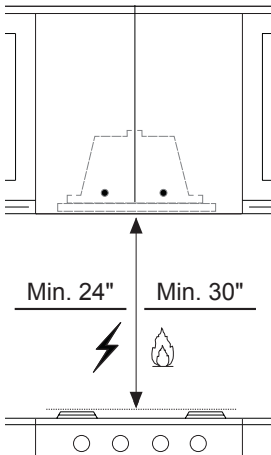
Para la ventilación de recirculación sin conducto, dirija la tubería a una ubicación por encima de la campana donde la descarga se ventila de regreso a la sala.

Use la rejilla de ventilación de recirculación incluida para cubrir la abertura. Fije la rejilla con los 2 tornillos provistos en el kit de instalación.



Accesorio de filtro de carbón activado requerido - sku # - FILTER1 (se compra por separado)

Filtro de carbón lavable de larga duración ; sku# FILTER1LL

**5**

Instale la campana de inserción a través del recorte del armario en la abertura del armario que tiene una altura mínima de 16". Tenga en cuenta los conductos.

La campana extractora está asegurada al recorte del armario mediante dos soportes con resortes, uno a cada lado de la campana extractora.

Se recomienda que la campana de inserción sea compatible con una base de madera de 3/4" para asegurar la alineación correcta de las dos presillas laterales.

Después de instalar la campana de inserción en la abertura del armario, asegúrela en su posición apretando los tornillos indicados en cada una de las dos presillas laterales de debajo de la campana de inserción.

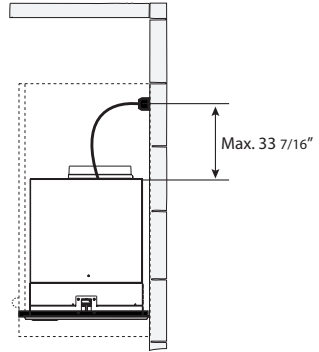
# 6

## INSTALACIÓN ELÉCTRICA CON CABLE DE CONEXIÓN

**INSTRUCCIONES DE CONEXIÓN A TIERRA** Este aparato debe estar conectado a tierra. En el caso de un cortocircuito eléctrico, la conexión a tierra reduce el riesgo de descarga eléctrica al proporcionar un cable de escape para la corriente eléctrica. Este equipo está provisto de un cable que tiene un cable de conexión a tierra con un enchufe de conexión a tierra. El enchufe debe estar enchufado a un tomacorriente que esté instalado y conectado a tierra correctamente.

**ADVERTENCIA:** una conexión a tierra incorrecta puede provocar un riesgo de descarga eléctrica.

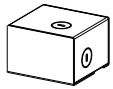
Consulte a un electricista calificado si las instrucciones de conexión a tierra no se comprenden completamente o si existe una duda acerca de si el equipo está correctamente conectado a tierra. No utilice un cable de extensión. Si el cable de alimentación es demasiado corto, solicite a un electricista calificado que instale un tomacorriente cerca del dispositivo.



### INSTALACIÓN ELÉCTRICA CON CAJA DE CABLEADO OPCIONAL

Para la instalación de cableado permanente: utilice solo con el kit de caja de cableado de la campana que se incluye sku # WIREBOX, fabricado por Faber.

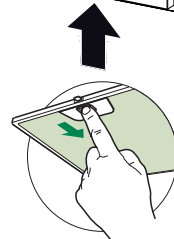
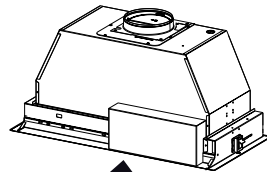
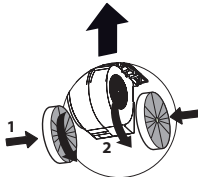
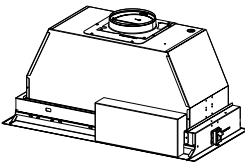
Accesorio de caja de cableado de conexión directa sku # WIREBOX (comprado por separado)



# 7

## Para la opción de recirculación sin conducto

Conecte cada filtro de carbón a la rejilla negra a cada lado del ventilador. Presione el filtro de carbón firmemente contra la rejilla negra en el lado del ventilador y gire el filtro hacia la izquierda (hacia la parte delantera de la campana de inserción) hasta que encaje en su lugar. Gire hacia la izquierda (hacia la parte posterior de la campana de inserción) para quitar.

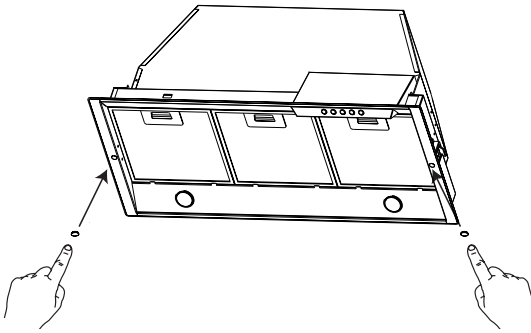


Reemplace los filtros de grasa metálicos retirados previamente.

Accesorio de filtro de carbón activado requerido - sku # - FILTER1 (se compra por separado)  
Filtro de carbón lavable de larga duración ; sku# FILTER1LL

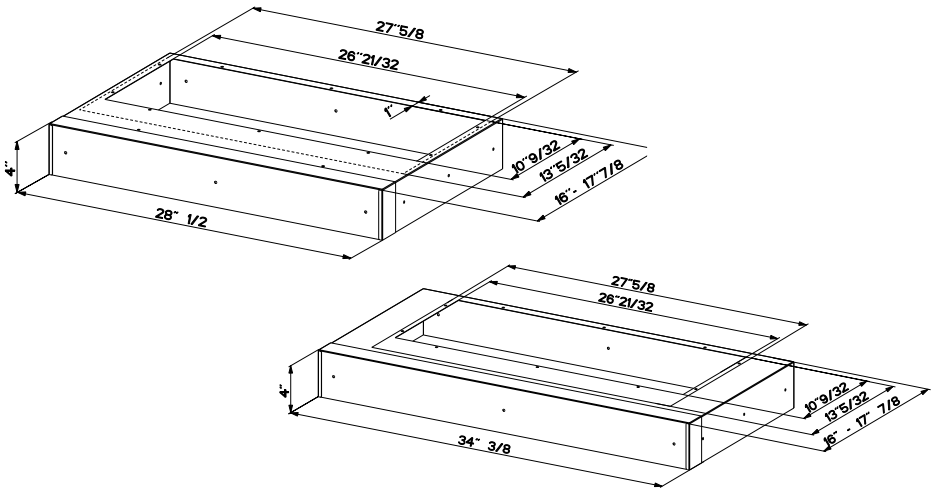


9



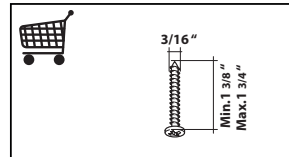
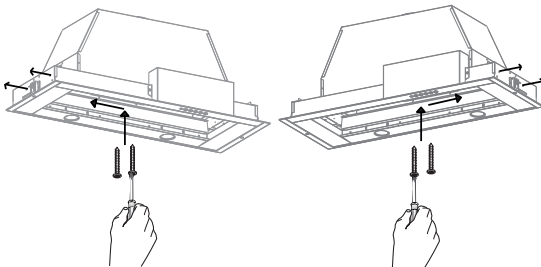
Inserte las 2 tapas en los orificios de los tornillos como se muestra.

### DIMENSIONES DEL FORRO



"Nota: los revestimientos estándar necesitan que se extraiga la perforación central para la instalación"

### PUNTOS ADICIONALES DE FIJACIÓN



"Nota: Posibles puntos de fijación adicionales del producto con 4 tornillos"

## PARA LA INSTALACIÓN CON FORROS



### ADVERTENCIA

Al construir una campana personalizada, siempre siga todos los códigos y estándares aplicables.

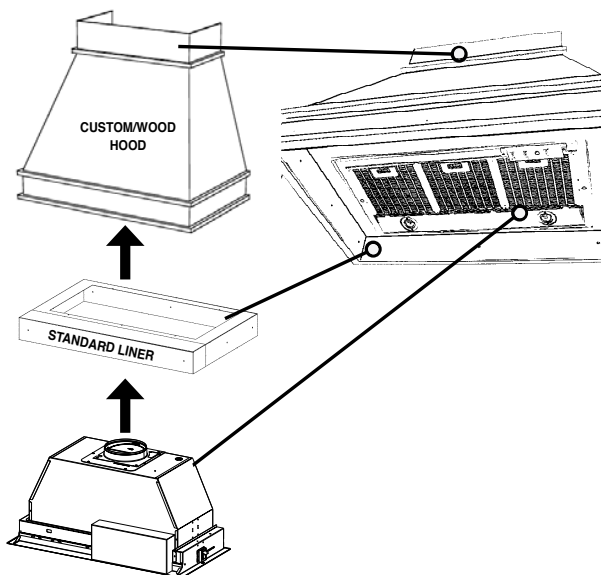
El Inca HC se puede usar con armarios y campanas a medida de 30" de ancho y superior. Elija un forro personalizado o nuestro forro estándar diseñado para instalaciones de 30" y 36" de ancho.

Los forros crean un acabado de sellado perfecto e incombustible para la parte inferior de su campana de madera personalizada.

Los forros estándar se componen de dos secciones: una sección trasera más grande (pre recortada para la inserción del Inca Smart) y una sección frontal para una profundidad ajustable total entre 16" y 17 7/8".

**!!! NOTA IMPORTANTE:** SE DEBE ELIMINAR LA SECCIÓN PERFORADA ADICIONAL ALREDEDOR DE LA PARTE PRECORTADA AL INSTALAR LA REJILLA ESTÁNDAR CON EL MODELO INCA HC.

Considere la forma, el tamaño y el peso del Inca HC y el forro para determinar la configuración de la campana de madera/personalizada.



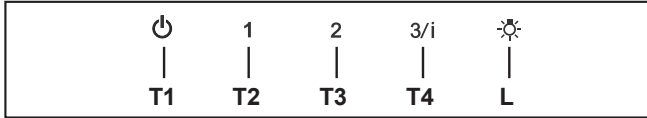
1. La campana de madera/personalizada debe tener una base resistente (se recomienda madera contrachapada de 3/4") para alojar el recorte para Inca HC . La base debe estar rebajada para alojar la altura del forro (consulte **DIMENSIONES DEL FORRO** en la Página 47). El forro se acopla a la parte inferior de la base con tornillos adecuados para el tamaño y el material de la campana de madera/personalizada. El Inca HC se inserta en el recorte en el forro y la base.

2. Coloque la sección posterior del forro de forma que quede en el borde posterior de la campana personalizada/de madera. Con un bolígrafo, trace el contorno del pre recorte. Retire el forro y proceda a **HACER LOS RECORTES** . Instale ambas secciones del forro y proceda a **INSTALAR LA CAMPANA EXTRACTORA**.

## INFORMACIÓN DE USO Y CUIDADO

### Para mejores resultados

Encienda la campana varios minutos antes de cocinar para desarrollar un flujo de aire adecuado. Deje que la campana funcione durante varios minutos después de que se complete la cocción para eliminar todo el humo y los olores de la cocina.



**T1.** Botón de apagado del ventilador: apaga el ventilador. El ventilador se puede operar presionando cualquiera de los botones de ajuste del ventilador.

Mantenga presionado este botón durante 2 segundos para activar la función delay off (desactivación retardada), que mantendrá el ventilador encendido durante 15 minutos y se apagará automáticamente.

**T2.** Botones de ajuste del ventilador: velocidad baja.

**T3.** Botones de ajuste del ventilador: velocidad media.

**T4.** Botones de ajuste del ventilador: velocidad alta / velocidad intensiva.

Mantenga presionado el botón durante 2 segundos para activar la velocidad intensiva, que está programada para ejecutarse durante 6 minutos. Al final de este tiempo, volverá automáticamente a la velocidad establecida anteriormente. Adecuado para tratar con niveles máximos de humos de cocina.

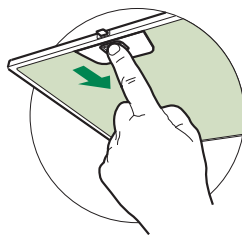
**L.** Botón de luz: interruptor de encendido/apagado de las luces .

NOTA: Si su producto ha tenido un ajuste de CFM, consulte el manual de ajuste de CFM para obtener información. Algunas velocidades del motor de funciones pueden ser reducidas.

## Limpeza de los filtros de grasa metálicos

Los filtros de grasa metálicos se pueden limpiar en solución de detergente caliente o lavarse en el lavavajillas. Se deben limpiar cada 2 meses de uso, o más frecuentemente si el uso es particularmente pesado.

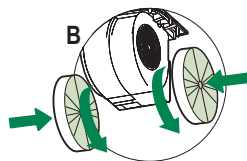
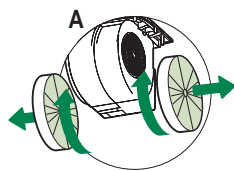
- Abra el panel tirando de él.
- Retire el filtro, empujando la palanca hacia la parte posterior de la unidad y al mismo tiempo tirando hacia abajo.
- Lave el filtro sin doblarlo, deje que se seque completamente antes de reemplazarlo (si la superficie del filtro cambia de color con el tiempo, esto no tendrá ningún efecto sobre su eficiencia).
- Reemplace, asegurándose de que la manija mire hacia adelante.
- La limpieza en el lavavajillas puede estropear el acabado del filtro de grasa metálico.
- Cierre el panel.



## Reemplazo del filtro de carbón activado

Los filtros de carbón activado no son lavables y no pueden ser regenerados, y deben ser reemplazados aproximadamente cada 4 meses de operación, o más frecuentemente con uso intensivo.

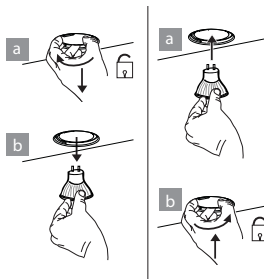
- Abra el panel tirando de él.
- Retire el filtro, empujándolo hacia la parte posterior de la unidad y al mismo tiempo tirando hacia abajo.
- Retire los filtros saturados de carbón activado, como se indica (A).
- Coloque los nuevos filtros, como se indica (B).
- Reemplace, teniendo cuidado de asegurarse de que la manija mire hacia adelante.
- Cierre el panel.



**Atencion:** "Cuando se utiliza en modo de recirculación, para reducir el riesgo de incendio y descarga, use solo el kit de conversión Modelo FILTER 1 O FILTER1LL

## Unidad de iluminación

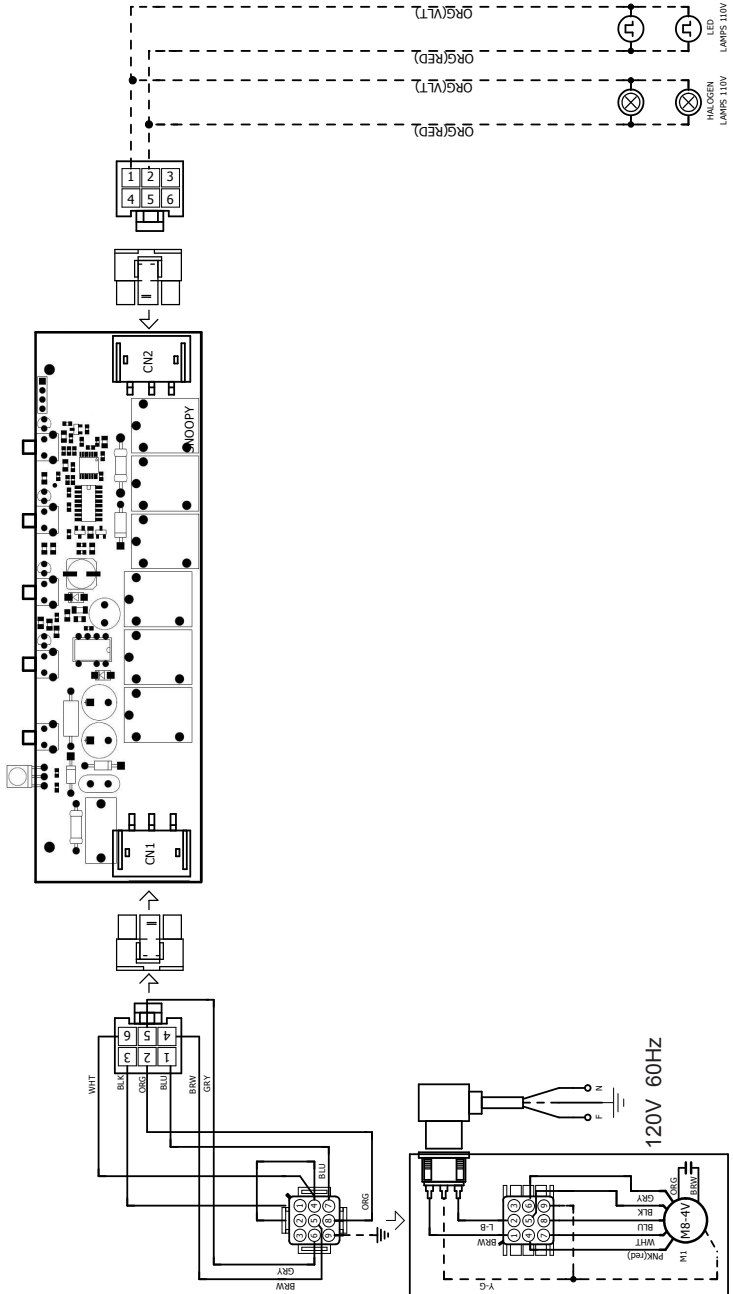
- Reemplace la lámpara por una nueva del mismo tipo, asegurándose de insertar las dos clavijas correctamente en los alojamientos del portalámparas.



Lámparas LED con autoglasamiento Gu10 - enumeradas de acuerdo con ul 1993/nmx-j-578/1-ance/csa c22.2 No. 1993



# Diagrama de cableado



## Esta garantía Aplica para USA y Canada



### GARANTÍA Y SERVICIO AL CONSUMIDOR FABER

Todos los productos Faber están garantizados contra cualquier defecto de materiales o mano de obra para el comprador original por un período de 1 año a partir de la fecha de compra original (requiere prueba de compra). Esta garantía cubre mano de obra y piezas de repuesto. Faber, a su elección, puede reparar o reemplazar el producto o componentes necesarios para restaurar el producto en buenas condiciones de trabajo. Para obtener el servicio de garantía, póngase en contacto con el distribuidor de quien adquirió la campana extractora o con el distribuidor local de Faber. Si no puede identificar a un distribuidor local de Faber, comuníquese con nosotros al (508) 358-5353 para obtener el nombre de un distribuidor en su área.

#### Lo siguiente no está cubierto por la garantía de Faber:

1. Llamadas de servicio para corregir la instalación de su campana extractora, para instruirle sobre cómo usar su campana extractora, para reemplazar o reparar fusibles de la casa o para corregir el cableado de la casa o la plomería.
2. Llamadas de servicio para reparar o reemplazar las bombillas, fusibles o filtros de la campana extractora. Estas partes de consumibles están excluidas de la cobertura de la garantía.
3. Reparaciones, cuando su campana extractora se utiliza para uso doméstico distinto al normal.
4. Daños resultantes de accidente, alteración, mal uso, abuso, incendio, inundación, eventos naturales, instalación incorrecta, instalación no conforme a los códigos eléctricos o de plomería o la documentación de Faber, o uso de productos no aprobados por Faber.
5. Piezas de repuesto o costos de mano de obra de reparación para unidades operadas fuera de los Estados Unidos o Canadá, incluyendo cualquier campana de cocina Faber no aprobada por UL o C-UL.
6. Reparaciones a la campana resultantes de modificaciones no autorizadas a la misma.
7. Gastos de viaje y transporte para el servicio del producto en lugares remotos, y gastos de recogida y entrega. Las campanas de cocina Faber deben ser reparadas en el hogar.

ESTA GARANTÍA NO PERMITE LA RECUPERACIÓN DE DAÑOS INCIDENTALES O CONSECUENTES, INCLUYENDO, SIN LIMITACIÓN, DAÑOS DIRECTOS, INDIRECTOS, INCIDENTALES, ESPECIALES O CONSECUENTES, LESIONES PERSONALES O MUERTE INCORRECTA O BENEFICIOS PERDIDOS. LA GARANTÍA DE FABER SE LIMITA A LAS CONDICIONES ANTERIORES Y AL PERÍODO DE GARANTÍA ESPECIFICADO AQUÍ Y ES EXCLUSIVA. EXCEPTO DADO LO EXPRESAMENTE ESPECIFICADO EN ESTE ACUERDO, FABER RENUNCIA A TODAS LAS CONDICIONES, REPRESENTACIONES Y GARANTÍAS EXPRESAS O IMPLÍCITAS INCLUYENDO, SIN LIMITACIÓN, CUALQUIER GARANTÍA IMPLÍCITA DE COMERCIABILIDAD O ADECUACIÓN PARA UN PROPÓSITO PARTICULAR.

Esta garantía le otorga derechos legales específicos que pueden variar de estado a estado.

Modelo: \_\_\_\_\_ Número de serie \_\_\_\_\_

4 de enero de 2016









