

F I S H E R & P A Y K E L

**ACTIVESMART™ INTEGRATED
FRENCH DOOR/DRAWER REFRIGERATOR**

RS36A72 models

INSTALLATION GUIDE

US CA

844185A 07.18

CONTENTS

FOLLOW THE INSTALLATION SEQUENCE RELEVANT TO YOUR CABINETRY

- ① SAFETY AND WARNINGS
- ② COMPONENTS LIST
- ③ PRODUCT AND CAVITY DIMENSIONS
- ④ CABINETRY OPTIONS
- ⑤ DOOR PANEL DIMENSIONS
- ⑥ CUSTOM DOOR PANEL INSTALLATION DIMENSIONS
- ⑦ DOOR OPENING ROTATION
- ⑧ ELECTRICAL AND PLUMBING
- ⑨ BEFORE INSTALLATION
- ⑩ ATTACH ANTI-TIP BRACKET
- ⑪ REMOVE HINGE END CAPS
- ⑫ CONNECT TO WATER AND ELECTRICAL SUPPLY
- ⑬ ALIGN YOUR PRODUCT INSIDE CABINETRY
- ⑭ INSTALL WATER FILTER CARTRIDGE AND TOE KICKS
- ⑮ ASSEMBLE DOOR PANEL SET
- ⑯ HANG ICE & WATER DOOR PANEL
- ⑰ HANG NON-WATER DISPENSING DOOR PANELS
- ⑱ ATTACH TOP TRIM AND HINGE END CAPS
- ⑲ ATTACH COVERS AND DOOR/DRAWER TRIMS
- ⑳ ATTACH CABINET SIDE TRIMS
- ㉑ FINAL CHECKLIST

① SAFETY AND WARNINGS

⚠ WARNING!



Electric Shock Hazard

Read and follow the safety and warnings outlined in this installation guide before operating this refrigerator. Failure to do so can result in death, electric shock, fire or injury to persons.

⚠ WARNING!



Cut Hazard

Take care - panel edges are sharp. Failure to use caution could result in injury or cuts.

⚠ WARNING!



This refrigerator is top-heavy and must be secured to prevent the possibility of tipping forward.

To ensure that the refrigerator is stable under all loading conditions, the anti-tip bracket and fittings supplied must be installed according to the following installation instructions by a professional installer.

IMPORTANT!

- The water connection to your Ice & water refrigerator must be installed by an authorized plumber or Fisher & Paykel trained and supported service technician and comply with all state and local laws.
- Installation and use MUST comply with all state and local plumbing codes. Check with your local public works department for plumbing codes. You must follow their guidelines as you install the water filtration system.
- To avoid serious illness or death, only connect your water filter to safe drinking water.
- The water filter cartridge needs to be changed when the replacement indicator icon illuminates. This will happen every 6 months.
- If the water filtration system has been allowed to freeze, replace filter cartridge. Failure to replace the disposable filter at recommended intervals may lead to reduced filter performance and failure of the filter, causing property damage from water leakage or flooding.
- In cases of excessively reduced filter life - we recommend that you consult a local plumber or your water supplier for advice on suitable filtration requirements for the water supplied to your home.
- Filter replacement is the consumer's responsibility and will not be covered by the warranty except in the case of faulty parts or materials within the filter cartridge.
- If the water has not created ice for some time or ice has an unpleasant taste or odor dispose of ice and refer to the flushing instructions detailed in the installation section of this user guide/installation guide. If unpleasant taste or odor persists, you may wish to fit a new filter cartridge.
- Use new tubing supplied with the refrigerator. DO NOT reuse old tubing from old water and ice connections.
- Your water filtration system can withstand up to 120psi (827kPa) of water pressure. Ensure the supplied pressure reducing valve is installed before installing the water filtration system. DO NOT install if water pressure exceeds 120psi (827kPa).
- To reduce the risk associated with property damage due to water leakage or flooding: DO NOT install systems in areas where ambient temperatures may go above 100°F (38°C) or drop below 33°F (0.6°C).
- DO NOT install on hot water supply lines. The maximum operating water temperature of this filter system is 100°F (38°C).
- DO NOT install where water hammer conditions may occur. If water hammer conditions exist, you must install a water hammer arrester.

WARNING!

To reduce the risk associated with choking:

- DO NOT allow children under 3 years of age to have access to small parts during the installation of the water filter.

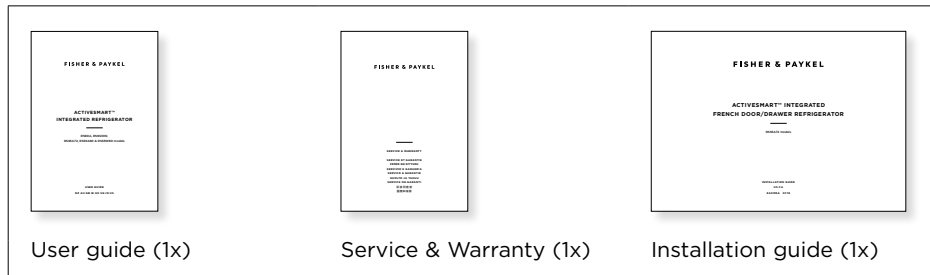
IMPORTANT!

SAVE THESE INSTRUCTIONS

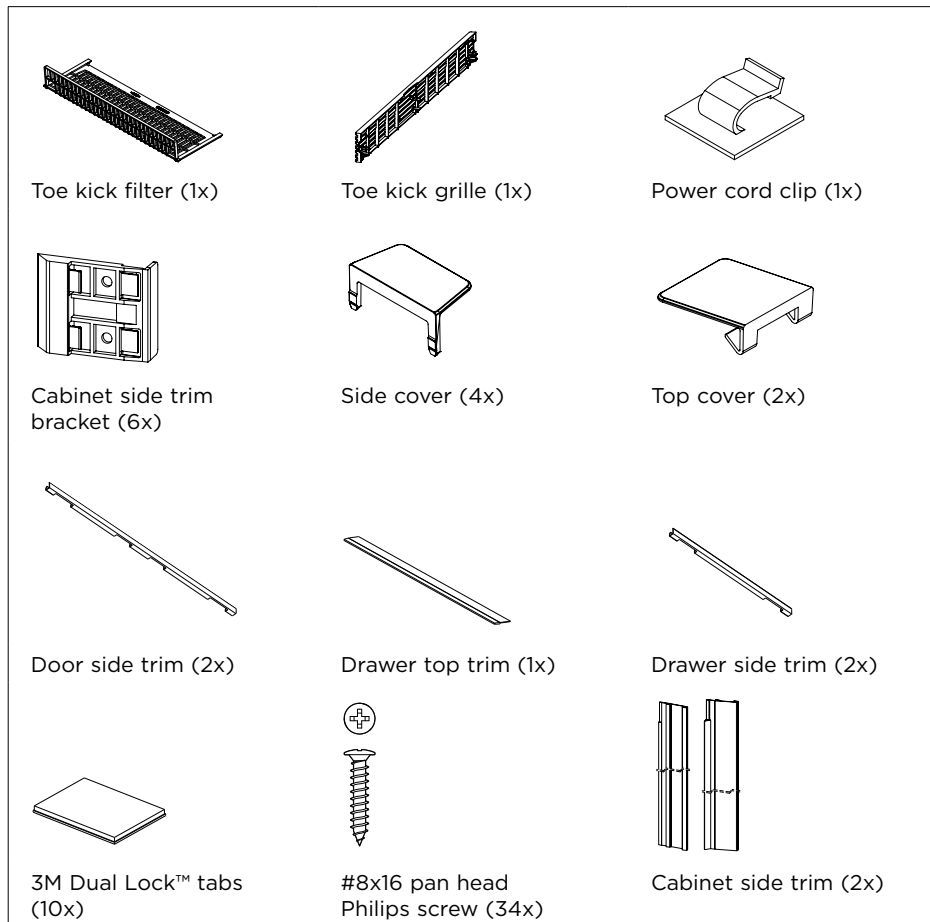
The models shown in this installation guide may not be available in all markets and are subject to change at any time. For current details about model and specification availability in your country, go to our website fisherpaykel.com or contact your local Fisher & Paykel dealer. Note that the word "refrigerator", throughout this user guide, refers to the combination of refrigerator/freezer products.

② COMPONENTS LIST

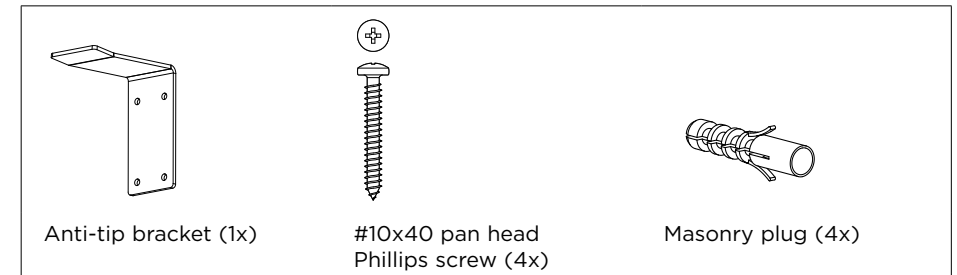
MI (miscellaneous items) pack – included with the refrigerator



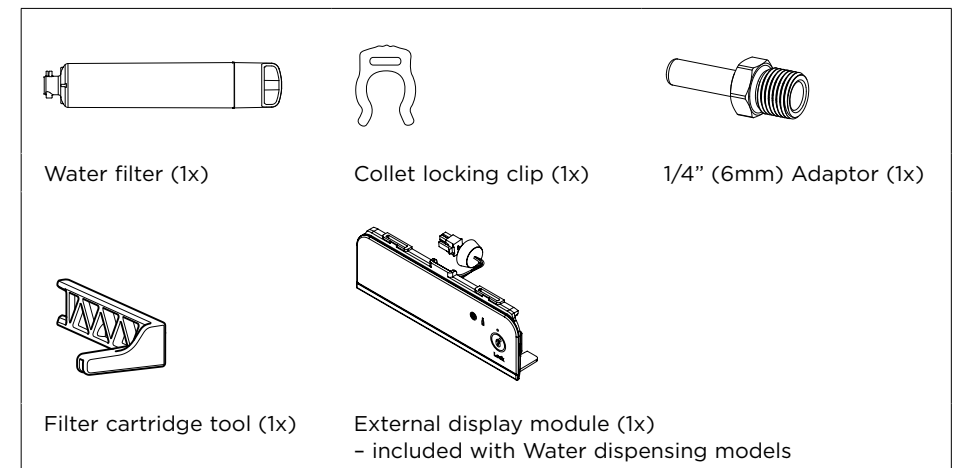
Product accessories – included with the refrigerator



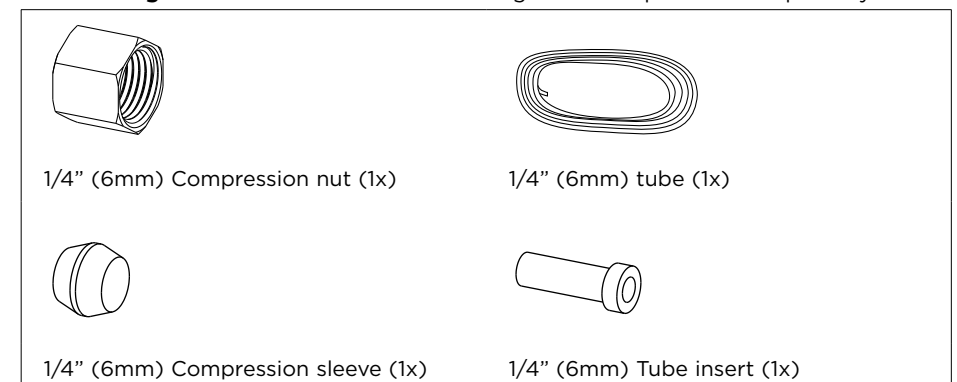
Anti-tip bracket fittings – included with the refrigerator



Water filter install kit – included with the refrigerator

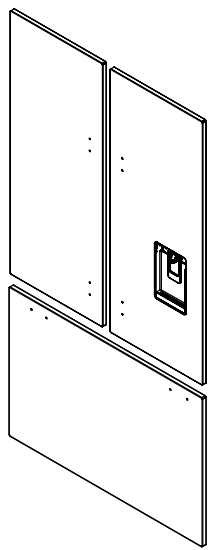
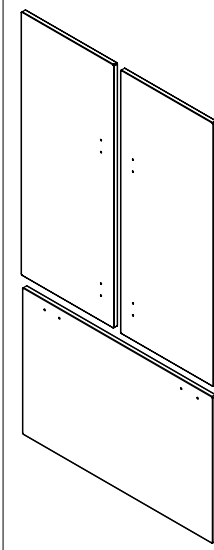


Water fittings kit – not included with the refrigerator and purchased separately

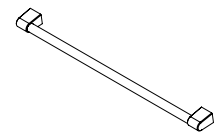

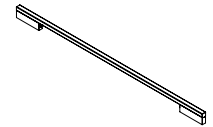



② COMPONENTS LIST

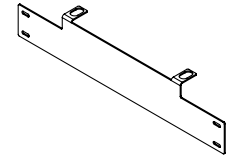
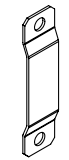
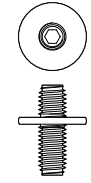
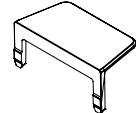
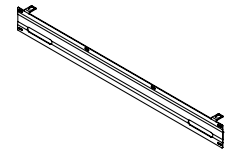

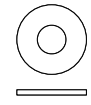
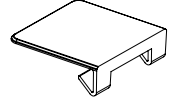
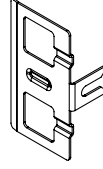


Door panel set

 <p>Fisher & Paykel (Stainless steel) door panel set is not included with the refrigerator and must be purchased separately.</p> <p>Door panel set: Non-Water dispensing French panel (1x) Ice & Water French panel (1x) Drawer panel (1x)</p> <p>Model numbers: RD3672 or RD3672U</p>	 <p>Custom door panel set is only applicable for non-Water dispensing models. Customers can supply their own Custom door panel to match their cabinetry.</p> <p>Door panel set: Non-Water dispensing French panels (2x) Drawer panel (1x)</p>
---	---

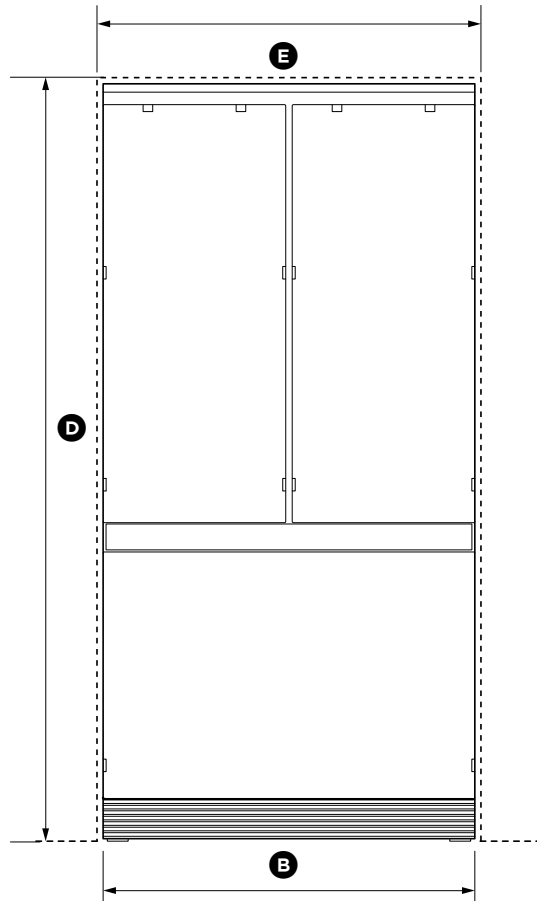
Door handle kit — not included with the refrigerator and must be purchased separately

 <p>Professional rounded door handle (3x)</p>  <p>M5x25 pan head socket screw (12x)</p>	<p>OR</p>  <p>Contemporary square door handle (3x)</p>  <p>M5x14 Mush Phillips SS (34x)</p>
---	---

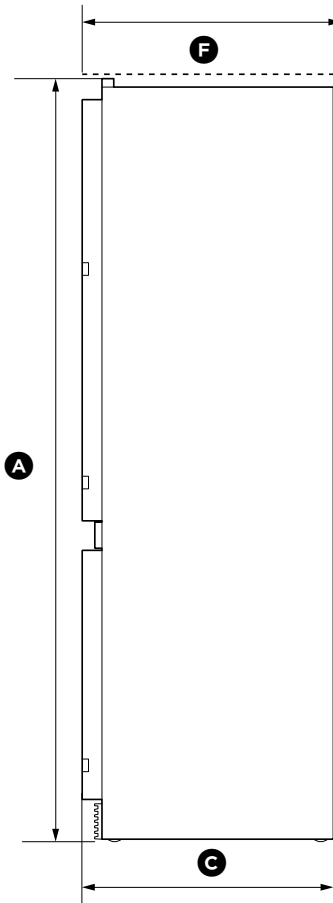
Door panel fittings — included with the refrigerator

 <p>French door hanging bracket (2x)</p>  <p>Side strap (10x)</p>  <p>M8 stud (6x)</p>  <p>Side cover (4x)</p>	 <p>Drawer hanging bracket (1x)</p>  <p>M5x10 pan head Phillips screw (10x)</p>  <p>M8 washer (6x)</p>  <p>Top cover (2x)</p>	 <p>Side bracket (10x)</p>  <p>#8x16 pan head Phillips screw (34x)</p>  <p>M8 nut (6x)</p>
---	--	---

③ PRODUCT AND CAVITY DIMENSIONS



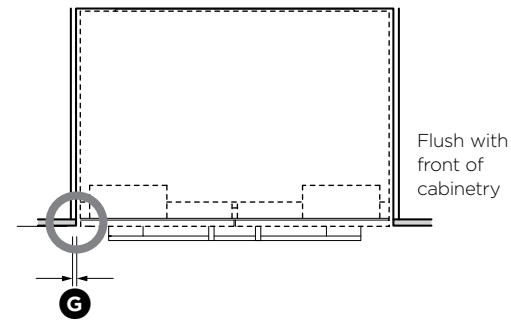
FRONT VIEW



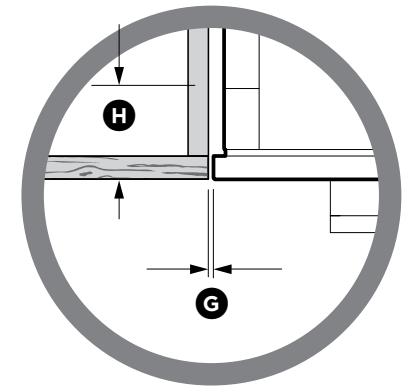
PROFILE VIEW

IMPORTANT!

For ease of installation, ensure cavity width is consistent top to bottom and height is consistent left to right.



PLAN VIEW



Flush install
Frameless: Finished return top and sides

PRODUCT DIMENSIONS	inches (mm)
Ⓐ Overall height of product*	71 27/32" (1825)
Ⓑ Overall width of product	35 21/32" (890)
Ⓒ Overall depth of product (without door panels)	23 3/4" (603)

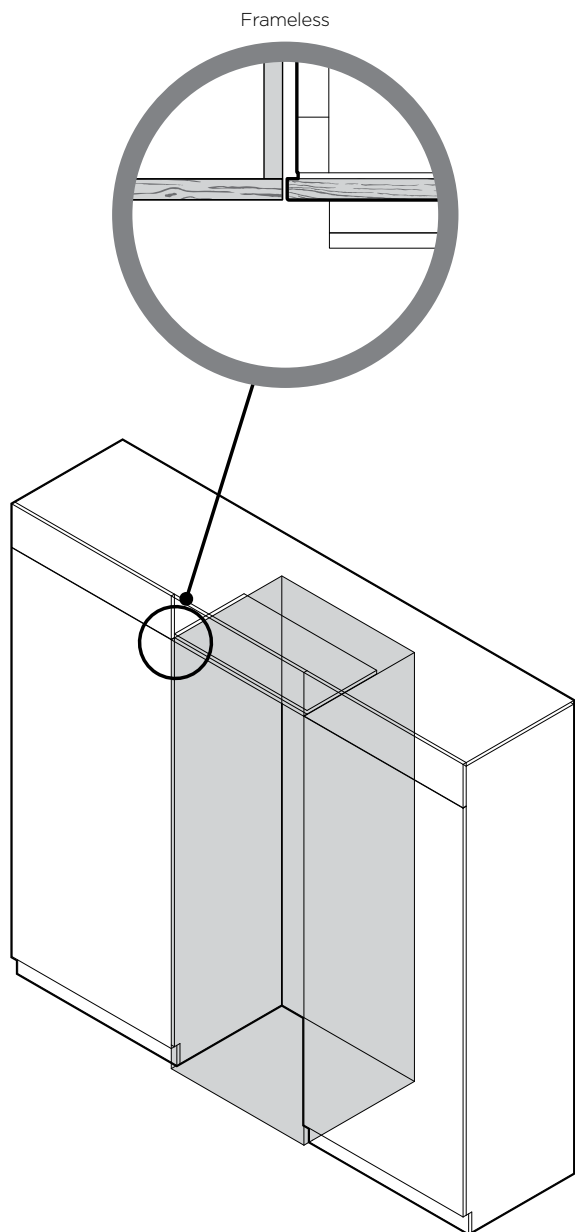
* Includes mounted feet

CAVITY DIMENSIONS	inches (mm)
Ⓓ Overall height of cavity	72" (1829)
Ⓔ Overall width of cavity	36" (914)
Ⓕ Overall depth of cavity	25" (635)
Ⓖ Minimum cabinetry gap clearance from edge of product	3/16" (4)
Ⓗ Minimum required finished return	min. 3 1/2" (89)

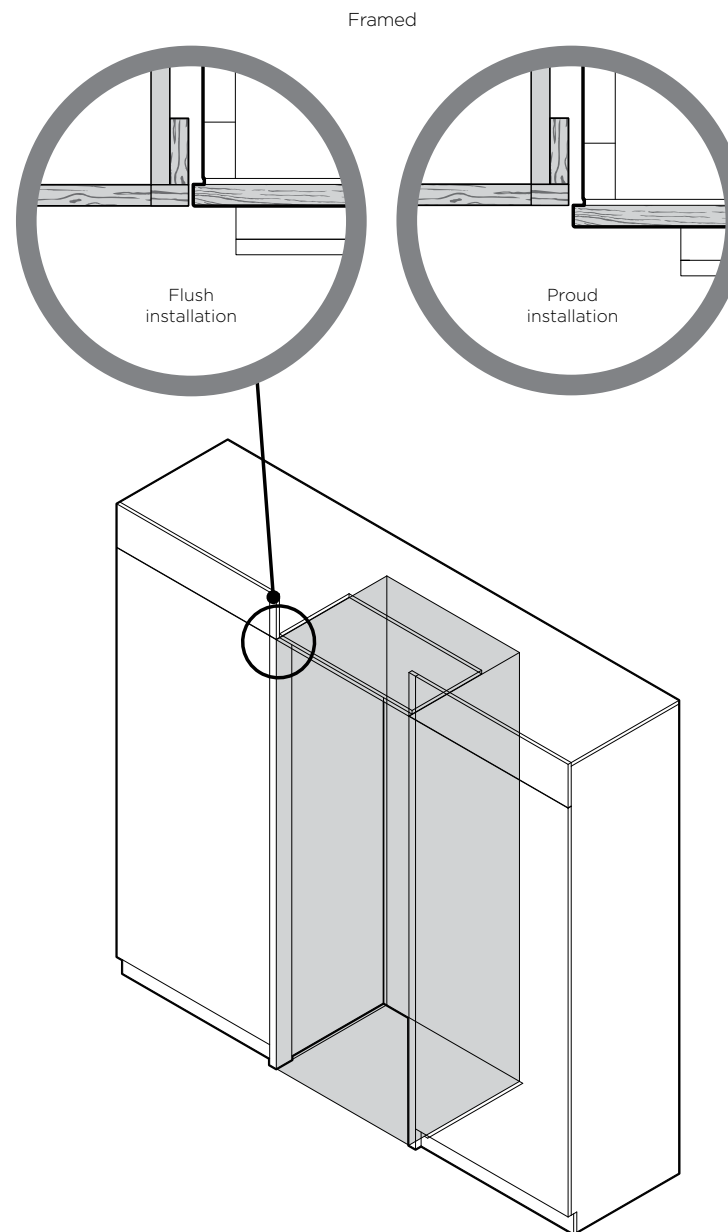
For integrated installation, ensure finished return dimensions are as shown.

④ CABINETY OPTIONS

FRAMELESS CABINETY (Frameless: Aligns the product with the cabinetry)

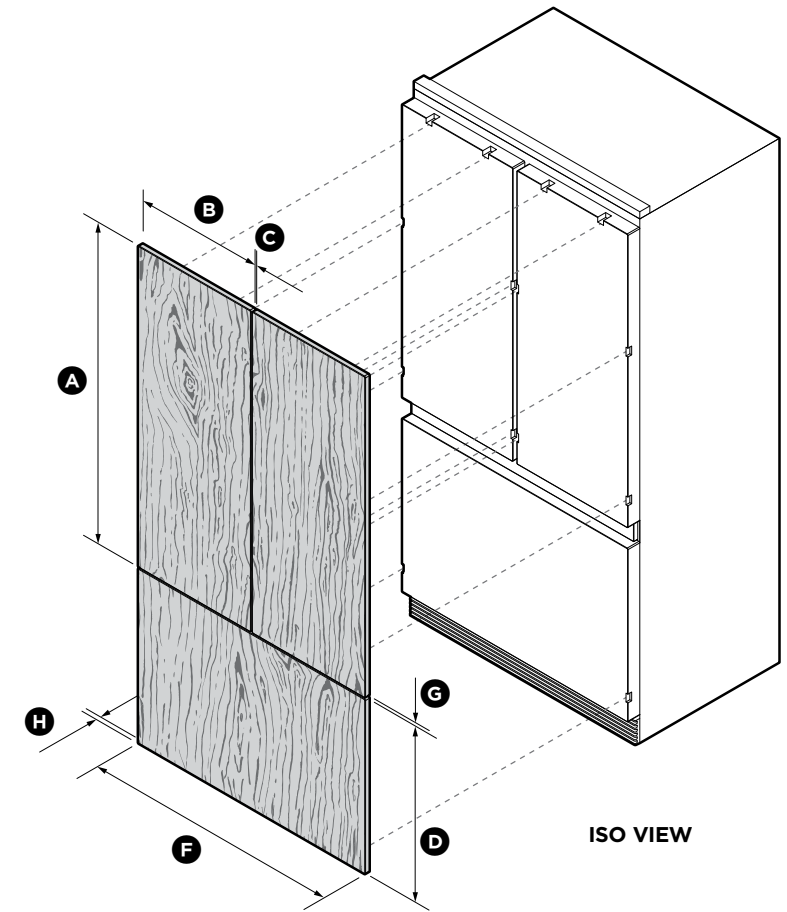
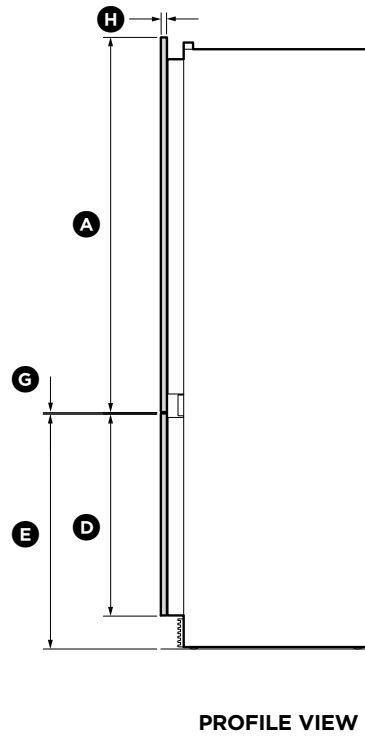
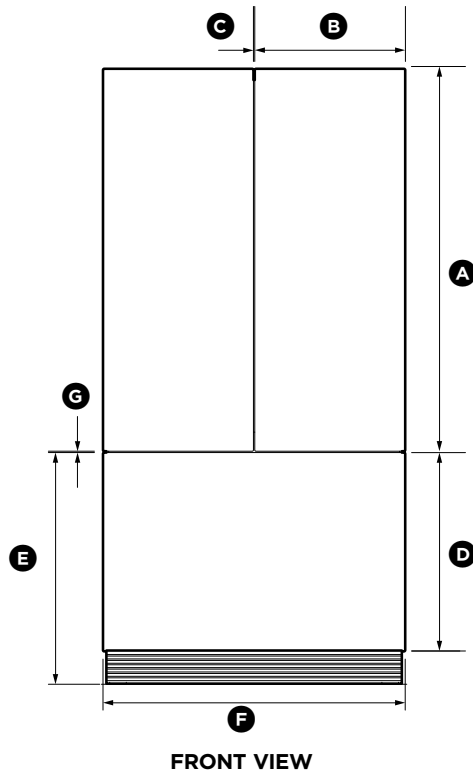


FRAMED CABINETY (Framed: Aligns the product with the frame of the cabinetry)



Note: Drawings are only for reference and not the actual cavity width of the cabinetry.

⑤ DOOR PANEL DIMENSIONS



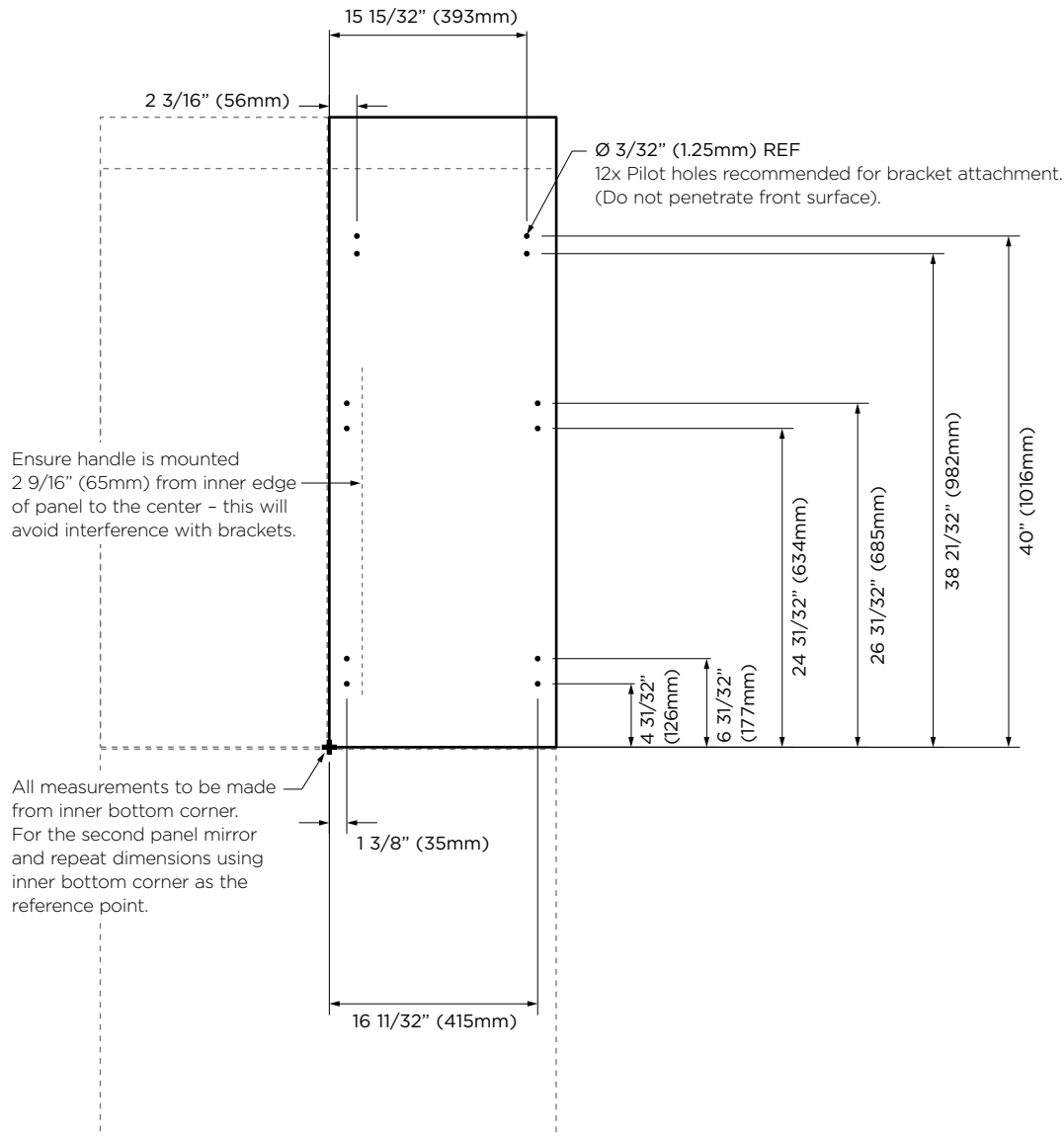
DOOR PANEL DIMENSIONS	STAINLESS STEEL	CUSTOM
	inches (mm)	inches (mm)
Ⓐ Height of each top door panel	44 7/32" (1123)	44 7/32" (1123)
Ⓑ Width of each top door panel	17 3/4" (451)	17 3/4" (451)
Ⓒ Gap between top door panels	5/32" (4)	5/32" (4)
Ⓓ Height of bottom drawer panel	23 15/32" (596)	23 15/32" (596)
Ⓔ Height from bottom of product to top of bottom drawer panel	27 15/32" (698)	27 15/32" (698)
Ⓕ Width of bottom drawer panel	35 21/32" (906)	35 21/32" (906)
Ⓖ Gap between top door panels and bottom drawer panel	5/32" (4)	5/32" (4)
Ⓗ Depth of door panel (excluding handle)	3/4" (19)	5/8" - 3/4" (16 - 19)
Maximum weight of each top door panel (with handle)	22 lbs (10kg)	22 lbs (10kg)
Maximum weight of bottom drawer panel (with handle)	24 1/4 lbs (11kg)	24 1/4 lbs (11kg)

- Note:
- Optional Fisher & Paykel Stainless steel front panels. Model no. RD3672 (non-Water dispensing model) and model no. RD3672U (Ice & Water model).
 - Custom door panels to be manufactured and fitted by cabinetmaker min. 5/8" (16mm) - max. 3/4" (19mm) thickness.
 - Door handle kit is available as an optional accessory.

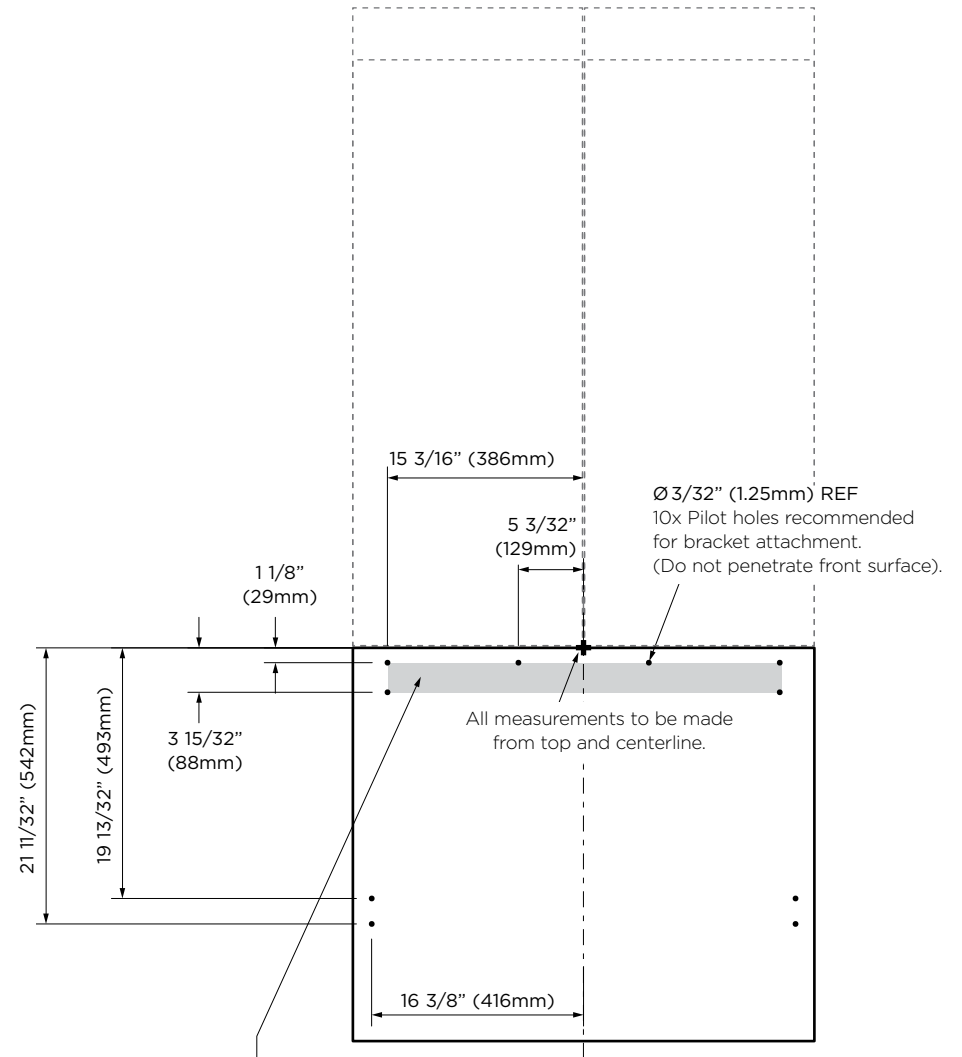
Custom door panels can be only be used for non-Water dispensing models.

⑥ CUSTOM DOOR PANEL INSTALLATION DIMENSIONS

The drawings below apply to non-Water dispensing models only (RS36A72J). Dimensions apply for the preparation and installation of custom door panels. For Dwg and Dxf files of the below panel preparation download the folder on thekitchentools.fisherpaykel.com.



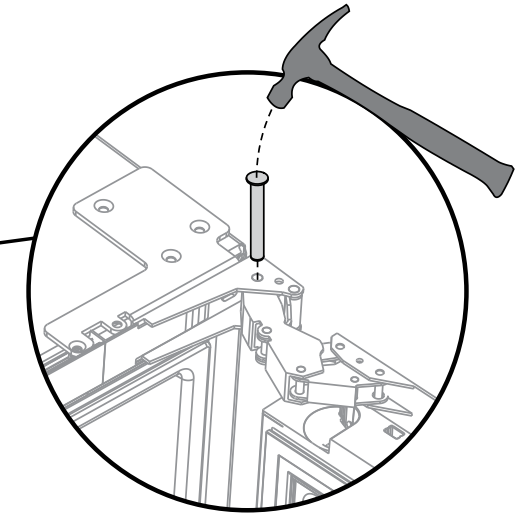
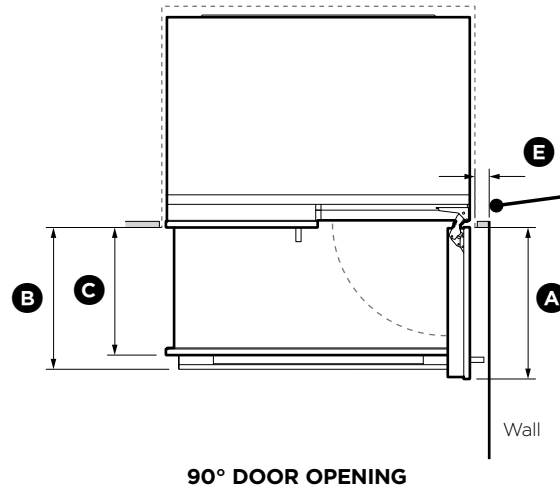
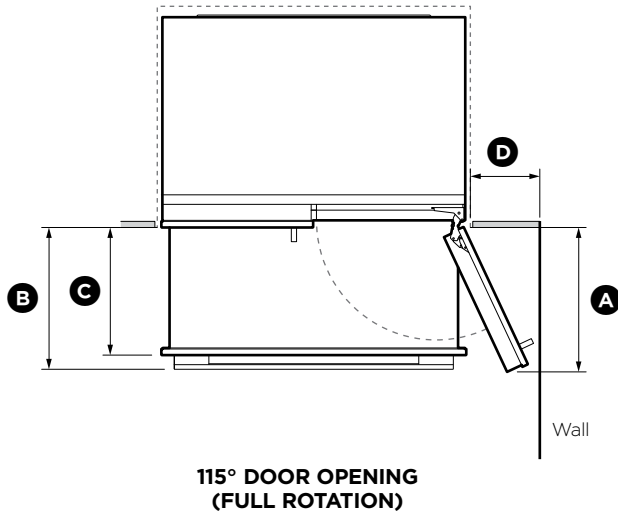
TOP PANEL - REAR VIEW



Cut outs are located in attachment bracket for Fisher & Paykel handles only. If locating custom handle in the shaded area above, ensure handle screw heads are counter sunk into back of panel to avoid interference with hanging bracket.

BOTTOM PANEL - REAR VIEW

⑦ DOOR OPENING ROTATION



DOOR CLEARANCE DIMENSIONS	inches (mm)
Ⓐ Depth of door (widest opening) measured from front of door	17 5/16" (440)
Ⓑ Depth of drawer (open) measured from front of drawer, including handle	15 3/4" (400)
Ⓒ Depth of drawer (open) measured from front of drawer, excluding handle	14 3/16" (360)
Ⓓ Minimum door clearance* to adjacent wall (115° - full internal access)	11 13/16" (300)
Ⓔ Minimum door clearance* to adjacent wall (90° - reduced internal access)	3 13/16" (100)

* Measured from front cabinetry edge.

For 90° door swing a hinge limiting pin is supplied with your refrigerator. This pin fits in the boreholes of the top hinge (refer to **Z**).

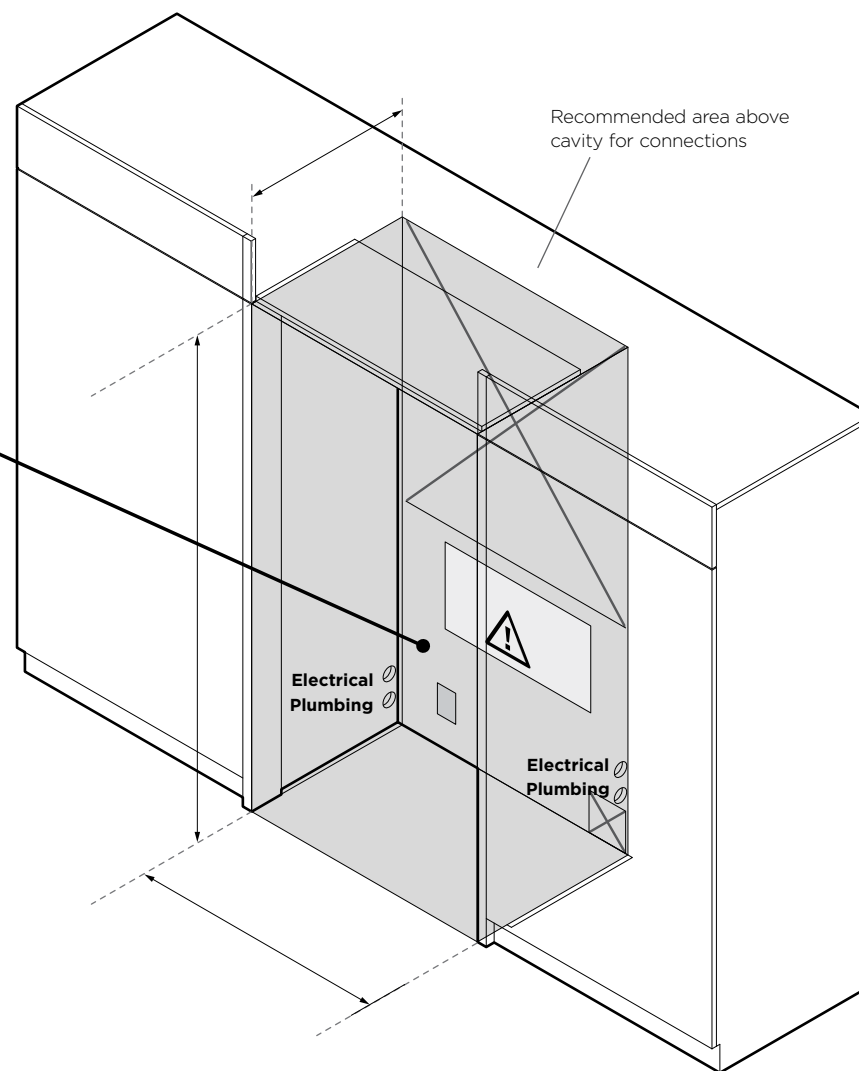
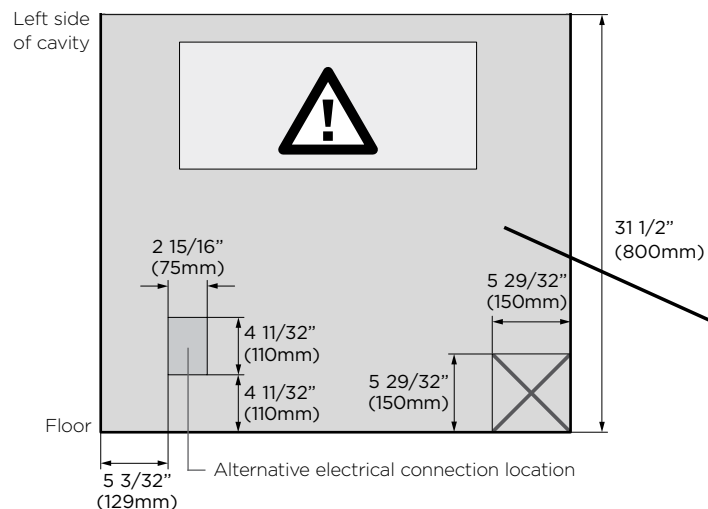
WARNING!

Before opening the doors, ensure that the appliance is stable. Follow the correct instructions to avoid risks that can cause serious injury or death.

- ① Open door to 90°.
- ② Align the hinge limiting pin vertically with the bore hole.
- ③ Use a hammer to drive the pin through the bore hole.

WARNING!

Electrical shock hazard. Assume all parts are live.
Disconnect supply before servicing and installation.



ELECTRICAL SPECIFICATIONS

Supply	115VAC, 60Hz
Service	10 amp circuit

PLUMBING SPECIFICATIONS

Supply	1/4" (6mm) hose or copper tubing*
Pressure	min. 22psi (150kPa) max. 120psi (827kPa) @ 68°F (20°C)

Note:

- Electrical connection can be located in an adjacent cabinet to either side of the fridge or above the fridge cavity.
- We recommend to use an isolating switch that is easily accessible to the user after the refrigerator is installed.

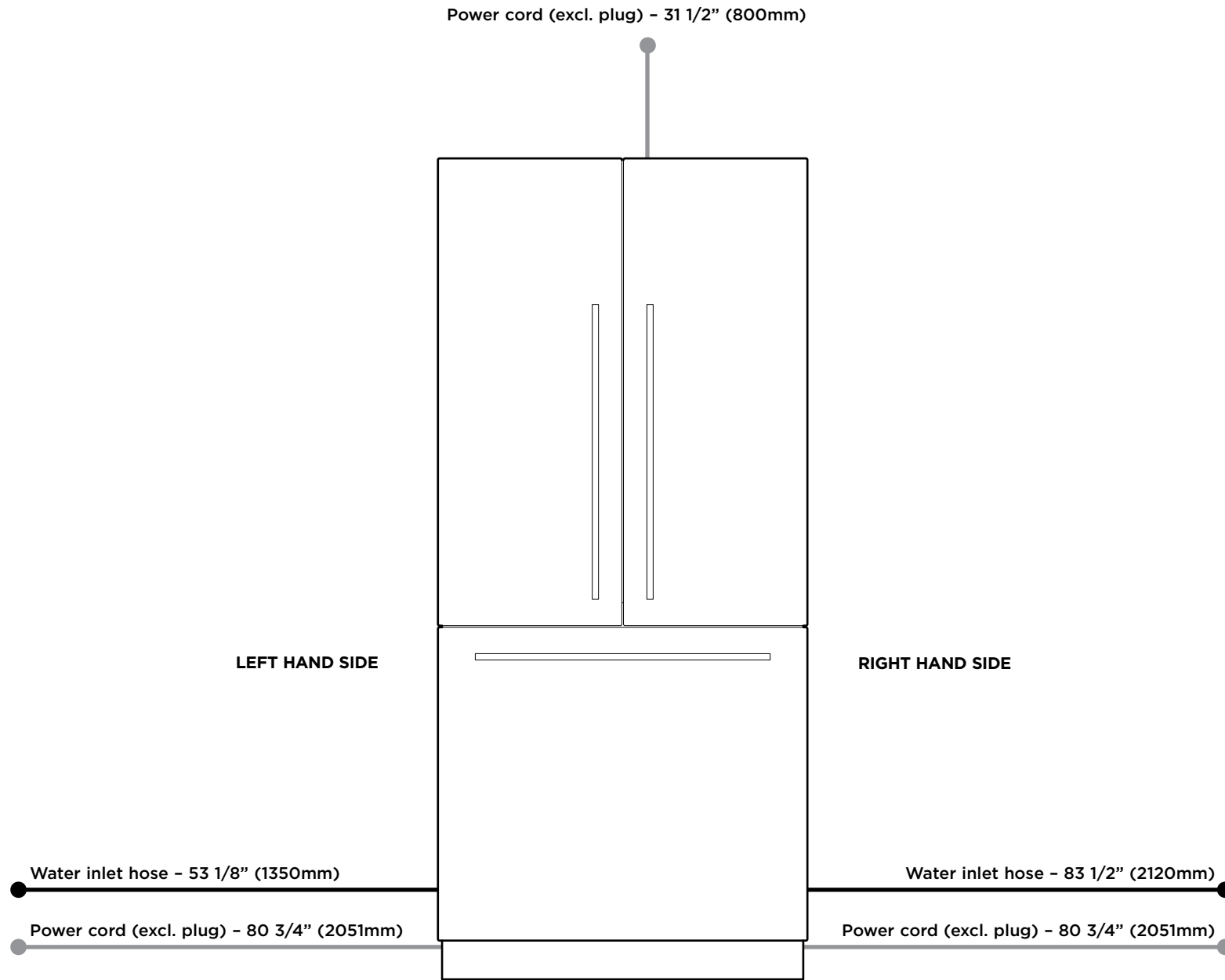
✕ Do not locate water or electricity in this area, keep clear of connections.

⚠ CAUTION: Central area can only fit electrical plug if it is placed within a recessed cavity.

*Water fittings kit - The standard refrigerator does not include water fittings. Standard Fisher & Paykel water fittings kit are available (part number: 841301). These parts need to be purchased separately by the customer and comply with local regulations.

⑧ ELECTRICAL AND PLUMBING

Maximum distance of hose and power cord



IMPORTANT!

- Ensure your appliance is not exposed to any heat generating appliances eg cooktop, oven or dishwasher.
- The refrigerator has front and rear rollers for moving forward and backward. Do not move the refrigerator sideways to avoid damaging the rollers or floor covering/surface.
- The refrigerator must be installed by a qualified installer, or Fisher & Paykel trained and supported service technician to avoid faulty electrical connection and water leaks.
- All connections for water, electrical power and grounding must comply with local codes and ordinances and be made by licensed personnel when required.
- Avoid installation of the refrigerator/s under a ground fault circuit interrupter (GFCI).
- Ensure the refrigerator is installed properly. Improper installation that results in refrigerator failure is not covered under the refrigerator warranty.

Check the installation location

Check the cabinetry

- Check the dimensions of the cabinetry (width, depth, height, floor level, finished alcove returns).
- Ensure that the ventilation openings in the cabinetry are clear of obstruction.
- For integrated installation, a finished return of solid material is required across the top and sides of the new or existing alcove.
- It is recommended that the return should be at least 3 1/2" (89mm) deep across the sides. Refer to 'Cavity Dimensions' prior to installation of the refrigerator.

Check the power supply connection

- Ensure that there is a separate power outlet for each refrigerator.
- Avoid sharing the power point with other appliances to prevent accidental switching off of the refrigerator.
- For power requirements, refer to the information on the serial plate. This is located at the front right-hand side of the drawer when open.
- Ensure your refrigerator is properly grounded (earthed).
- Connect the refrigerator to the electrical supply (115VAC, 60Hz) with fitted plug and lead.
- We recommend to use an isolating switch that is easily accessible to the user after the refrigerator is installed.
- Follow the National Electrical Code and all local codes and ordinances when installing this refrigerator.

Check the water supply connection (for Ice & Water models only)

- Your product must be installed by a qualified refrigerator installer as incorrect plumbing can lead to water leaks.
- Fisher & Paykel is not liable for damage (including water damage) caused by faulty installation or plumbing.

Check your refrigerator

- Ensure that your refrigerator is the correct model as per your order.
- Ensure that the packaging is not damaged upon delivery.
- Check that the components and install kits are complete.

Prepare the door panel set

- The refrigerator does not include a door panel set.
- Custom door panels are designed only for non-Water dispensing models.
- To complete the integrated refrigerator for non-Water dispensing models, the customer should supply their own custom door panel set.
 - All the hardware required to mount the door panel sets to the refrigerator doors is supplied with the refrigerator.
- Door panel sets are available through your Fisher & Paykel dealer.
 - Fisher & Paykel door panel sets are available (Stainless steel door panels) model numbers: RD3672 and RD3672U.
- Handle sets are optional for custom door panels and can also be purchased through your Fisher & Paykel dealer.

10 ATTACH ANTI-TIP BRACKET

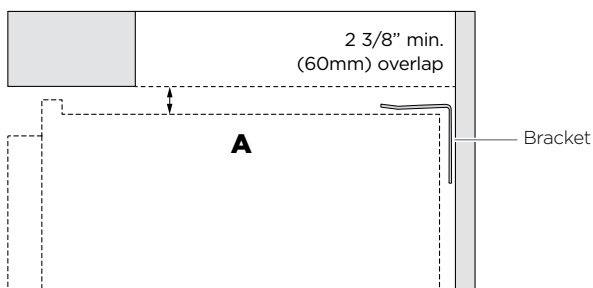
IMPORTANT!

- Ensure the refrigerator door is closed when rolling into cabinetry.
- **DO NOT** attempt to open the door until refrigerator is fully installed.
- The anti-tip bracket and fittings supplied must be fitted to the wall of finished enclosure to withstand 220 lbs (100kg) load.
- Ensure that anti-tip bracket is installed correctly to prevent the refrigerator tipping forward when door is open.

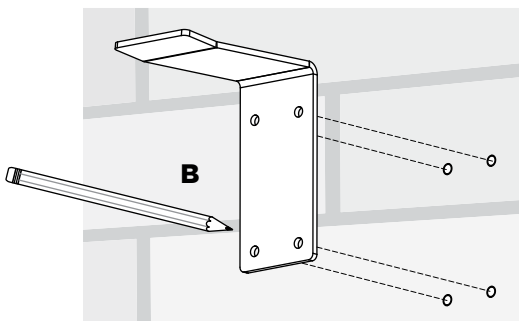
WARNING!

- Read the following reminders before fastening with masonry plugs and/or screws:
- Ensure the screws avoid electrical, gas and water conduits.
 - Ensure the surface of the bracket is fastened to withstands a 220.5 pound (100kg) load.
 - Ensure light-weight masonry material such as cinder block and new concrete (no curing time) are not used in installation.
 - Do not use metallic materials that may corrode, stain and/or damage the enclosure.

- ① Project the end of the above finished enclosure to the center of the back wall and measure 1 1/4" (31mm) vertically from the projection line (A).
- This will locate the contact surface between the bracket and the top surface at the back end of the refrigerator.



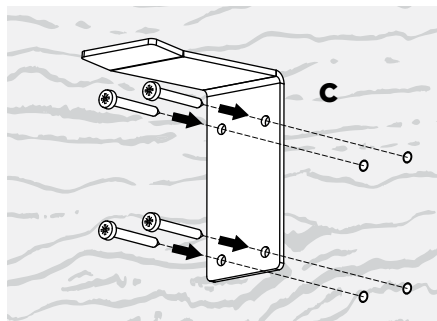
- ② Mark the screw locations of the anti-tip bracket on the wall based on the most central wall stud (B).
- If there are no wall studs, the bracket can be installed to solid brick walls with masonry plugs. (However, not recommended to be used on perforated brick or hollow concrete bricks.)



- ③ Drill \varnothing 1/4" x 1 3/8" (\varnothing 6mm x 35mm) deep screw holes to the marked locations.

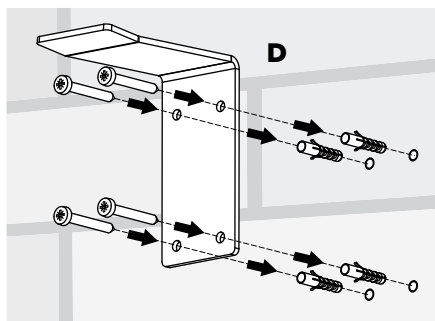
- ④ For wooden/plaster board wall installation:

- Fix the bracket to the wall #10x40 pan head Phillips screws (4x), and screw tightly (C).



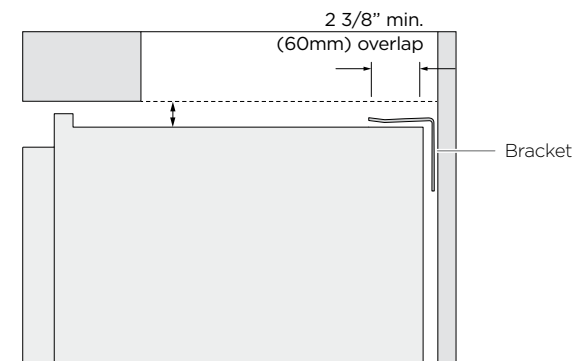
- ⑤ For solid wall installation:

- Hammer masonry plugs (4x) into the wall until flush.
- Fix the bracket to the wall with #10x40 pan head Phillips screws (4x), and screw tightly (D).

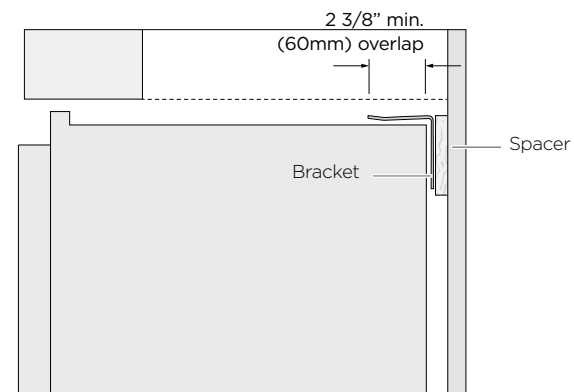


IMPORTANT!

When positioning the refrigerator in the cabinetry, ensure that the bracket overlaps the refrigerator by a minimum 2 3/8" (60mm) for a secure hold.



If the minimum 2 3/8" (60mm) overlap cannot be achieved, install a solid spacer to the wall stud behind the bracket.



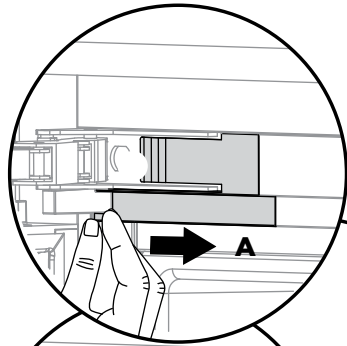
11 REMOVE HINGE END CAPS

WARNING!

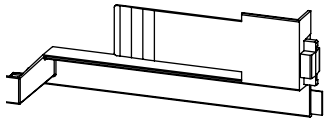
Be careful when working with the refrigerator outside of the finished enclosure.
Ensure that the refrigerator is secured to prevent tipping forward.
Tipping of refrigerator can lead to serious injury or death.

- 1 Open the refrigerator French doors carefully and remove the left hinge end cap.

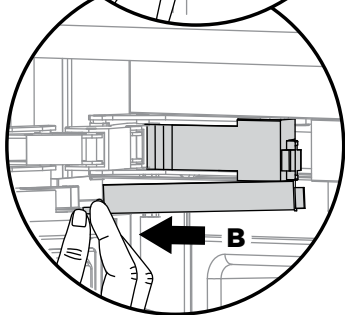
Hold onto the corner of the end cap, firmly push to the right to disengage securing hook and pull down (A).



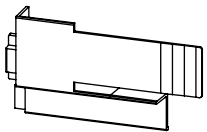
- 2 Pull cap gently towards the left hinge to remove (B).



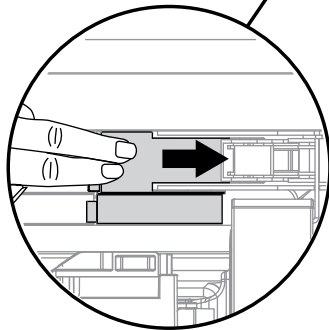
Reserve end hinge cap for later installation.



- 3 Remove the right hinge end cap. Press on the center of the cap and push towards the right hinge to remove.

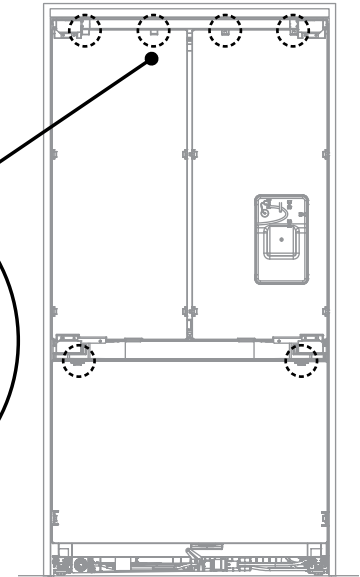
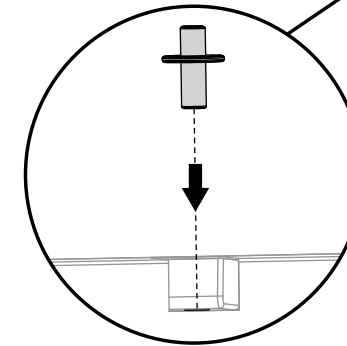


Reserve end hinge cap for later installation.



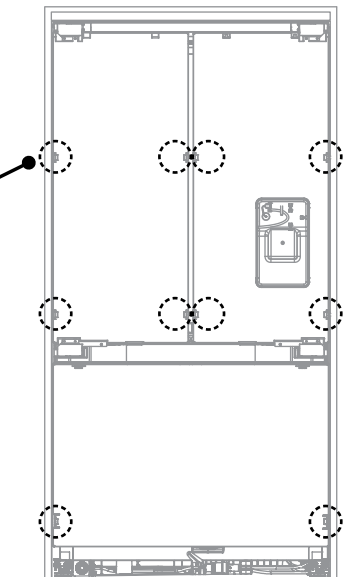
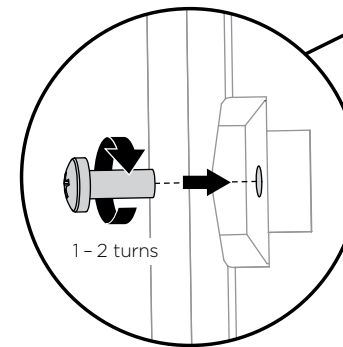
- 4 Secure M8 studs into the refrigerator doors, ensure the open end faces the top and the studs go all the way in.

Repeat this process for all refrigerator doors.



- 5 Loosely screw (1 - 2 turns) M5x10 pan head Phillips screws into doors.

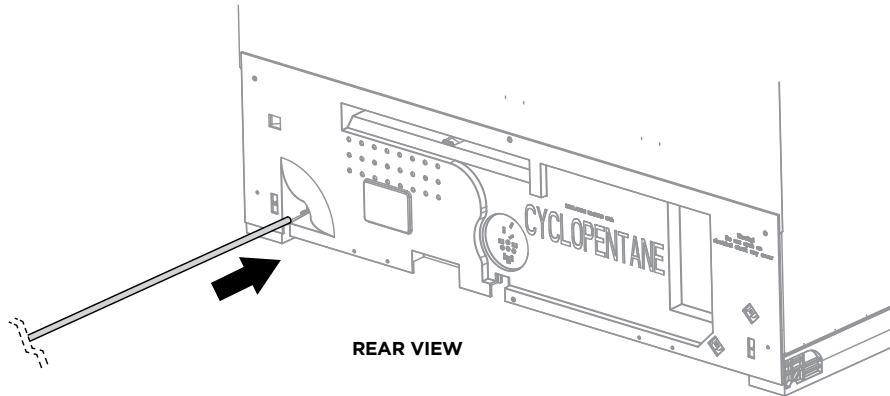
Repeat this process for all refrigerator doors.



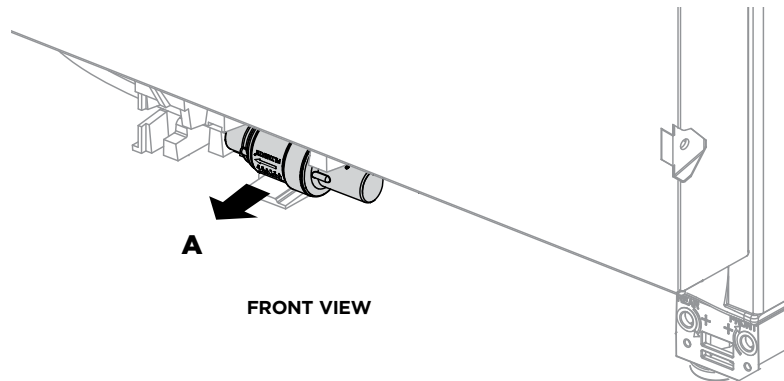
12 CONNECT TO WATER AND ELECTRICAL SUPPLY

IMPORTANT!

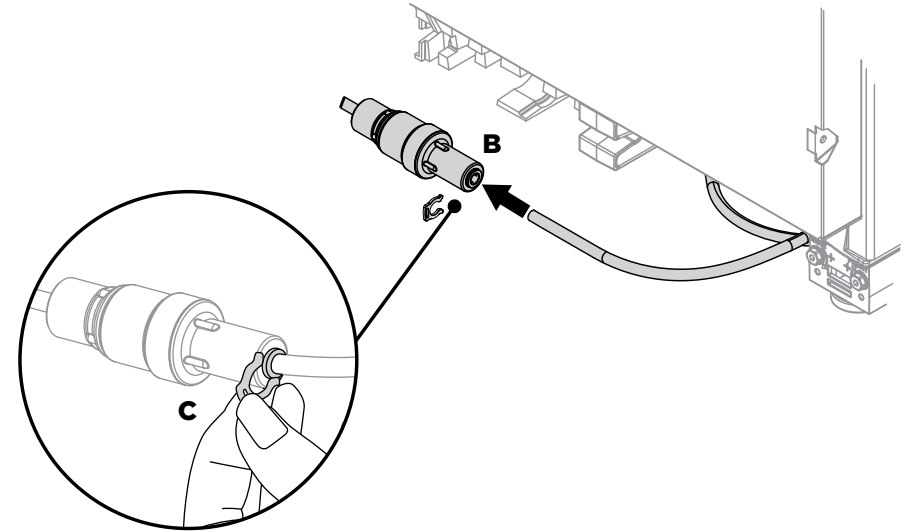
- The water connection instructions below are intended only for the professional installer.
- Water fittings are not included in the refrigerator and must be purchased separately.
- Fisher & Paykel water fittings are available (part number: 841301) and comply with local regulations.
- Ensure the refrigerator is NOT plugged into a power supply.
- Ensure there is enough tubing for the water connection and to pull the refrigerator out for service, if required.



- 1 Uncoil the 1/4" (6mm) water tubing and thread one end through the opening in the rear cover until it exits the front.



- 2 At the front of the product, dislodge the PRV. Grasp the PRV from the clips by pulling it towards you (A).



- 3 Firmly insert water tubing into the PRV. The tube should push in at least 5/8" (16mm) before reaching the stop. Once inserted, pull gently on tubing to ensure it is locked in (B).

Secure the connection by attaching the locking key in between the PRV and water tubing (C). Mount the PRV back into the clip.

12 CONNECT TO WATER AND ELECTRICAL SUPPLY

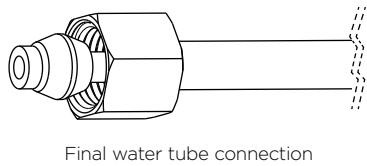
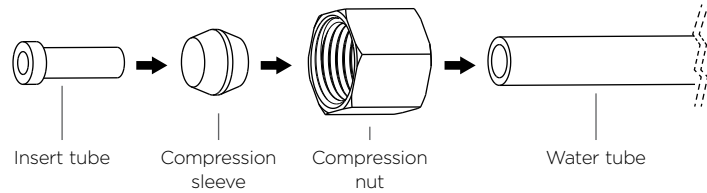
IMPORTANT!

- Ensure water tubing is routed away from any sharp objects, sharp corners, and not in a location where it can be kinked or squashed. Beware of kinking the tube as this will stop water flow.
- Ensure a firm contact is observed as the refrigerator engages the anti-tip bracket, 2 3/8" min. (60mm) overlap.

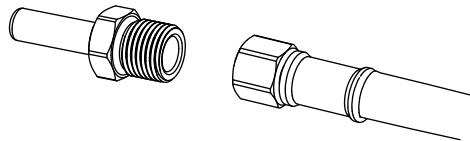
- ④ Move the refrigerator in front of the cabinetry close enough to allow access behind for power and water connections.

At the back of the refrigerator, cut the water tube to a suitable length for connecting to the water outlet. Ensure there is enough tubing to pull the refrigerator out for service, if required.

- ⑤ Assemble the following water fittings onto the other end of the water tube.



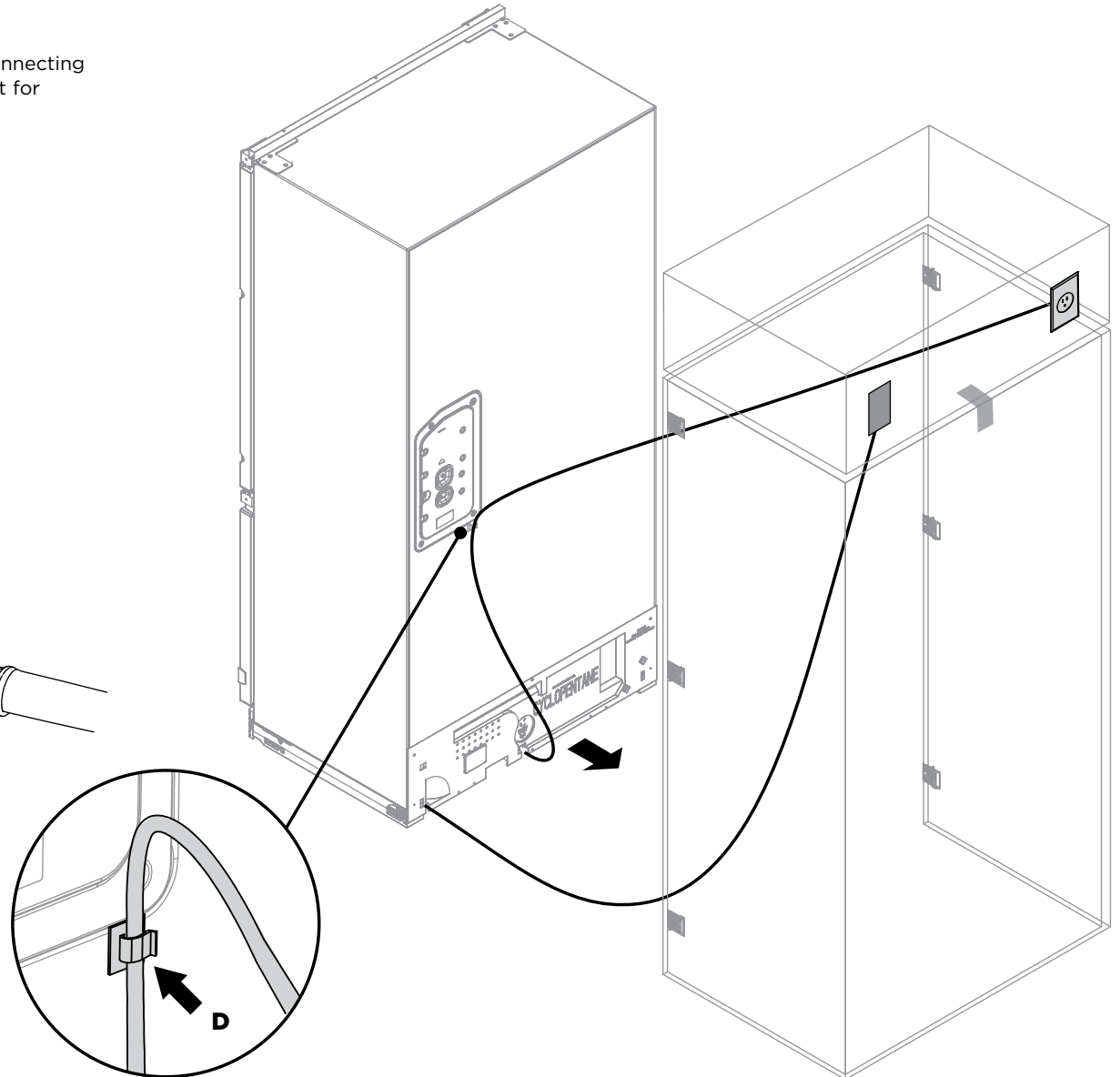
NOTE:
If using a braided water line hose (not supplied), connect an adaptor to one end of the hose before inserting into the PRV.



- ⑥ Fasten the faucet connection to the cold water supply. Take care not to over-tighten the faucet connection. Turn isolating faucet on and check that all connections are dry and free of drips.

⑦ **Connecting power**

- Attach the power cord clip to the back of your refrigerator
- Connect the refrigerator to the electrical supply (115VAC, 60Hz with the fitted plug and lead, and turn on. Ensure the refrigerator is connected to its own isolating switch.
- Ensure excess power cord length is secured onto the clip (D).
- When pushing the refrigerator into position, take care not to roll over or damage the power cord and/or water tubing.



13 ALIGN YOUR PRODUCT INSIDE CABINETY

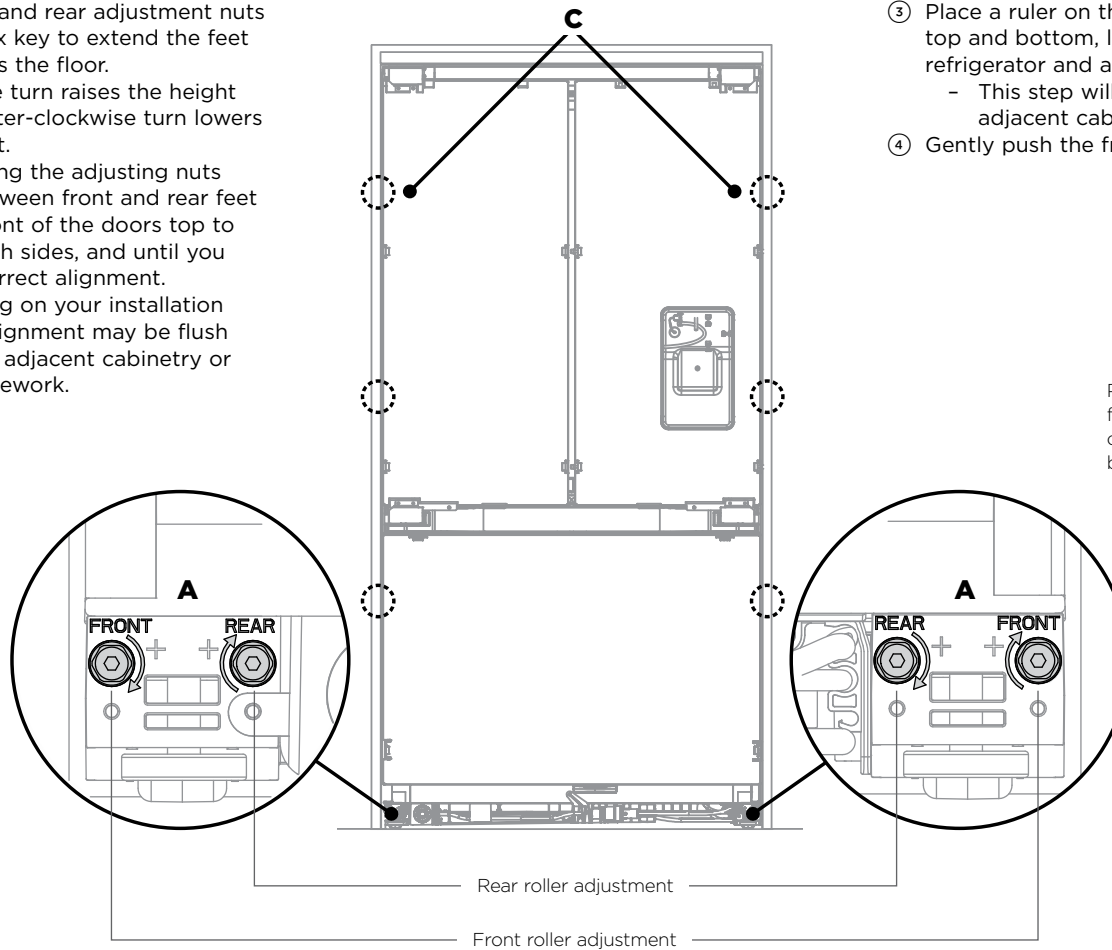
IMPORTANT!

- Ensure that all four corners of the refrigerator are supported firmly onto the floor to eliminate any movement.
- Installing the refrigerator on a soft, uneven, or not level floor may result in twisting of the product and poor door sealing.
- Raise the refrigerator using a 7/16" (11mm) hex socket or 3/16" (4mm) hex key. One turn of height adjusting nuts is equivalent to 1/16" (1mm) height travel.

Note: Maximum turn is 13/16" (20mm).

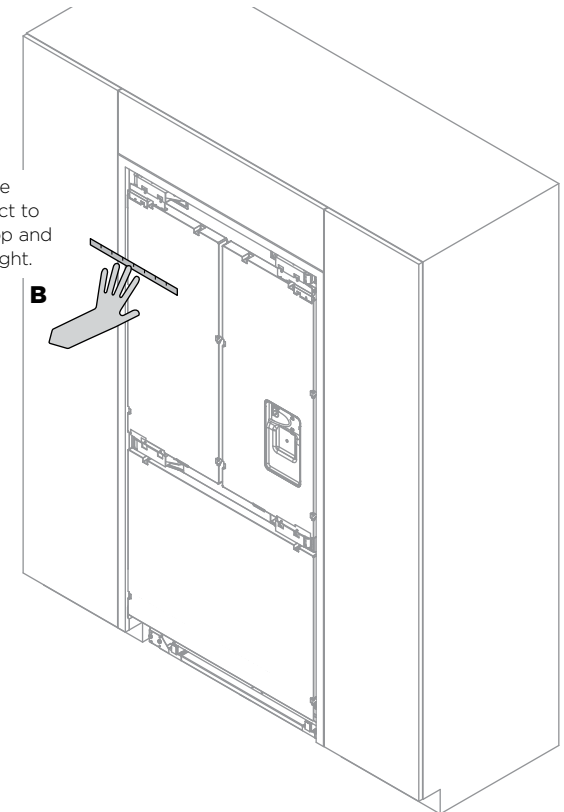
- Use low torque setting to avoid damage to height adjustment system.
- Failure to achieve flushness across all sides greater than 1/16" (1.5mm) can lead to difficulties achieving final alignment. Final alignment will be achieved once door panels have been installed and the refrigerator is pushed back to sit flush with cabinetry.

- 1 Turn the front and rear adjustment nuts (A) using a hex key to extend the feet until it engages the floor.
 - Clockwise turn raises the height and counter-clockwise turn lowers the height.
- 2 Continue turning the adjusting nuts alternately between front and rear feet to align the front of the doors top to bottom on both sides, and until you achieve the correct alignment.
 - Depending on your installation design, alignment may be flush with your adjacent cabinetry or your framework.



- 3 Place a ruler on the front of the product (B) to check flushness top and bottom, left and right. Check the gaps between refrigerator and adjacent cabinetry are even on both sides (C).
 - This step will help ensure the refrigerator is level with the adjacent cabinetry.
- 4 Gently push the front of the product to check the stability.

Place a ruler on the front of the product to check flushness top and bottom, left and right.



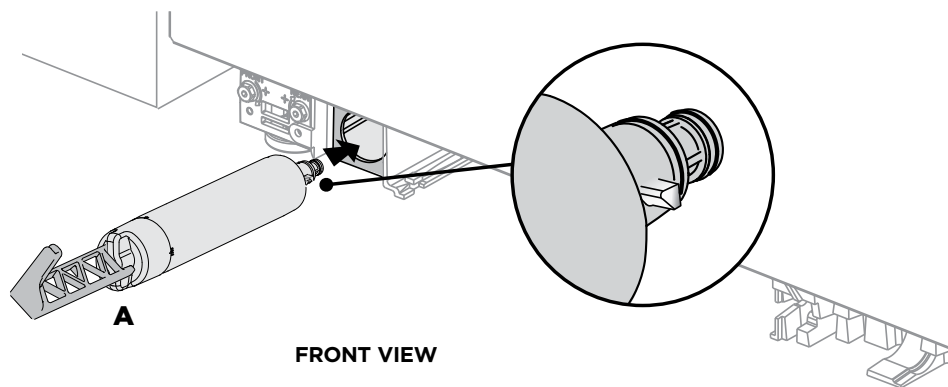
14 INSTALL WATER FILTER AND TOE KICK GRILLE

IMPORTANT!

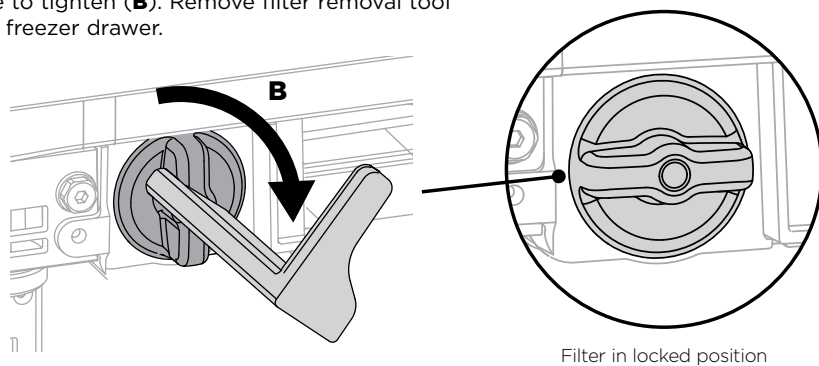
- The water filter head must be firmly pushed into the product and secured. incorrect installation can lead to water leaks.

Installing the water filter

- 1 Remove the plastic wrapping of the new filter.
- 2 Pull the freezer drawer out slightly and insert the filter into the casing at the bottom left corner of the refrigerator. Ensure the filter handle is positioned vertically (A).
- 3 Push the cartridge firmly inside the casing all the way into the filter head.



- 4 Align the filter removal tool over the filter handle and turn 90° clockwise to tighten (B). Remove filter removal tool and close the freezer drawer.

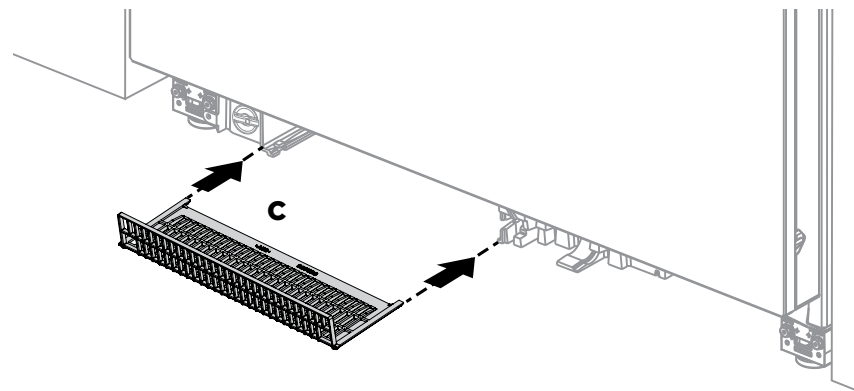


Flushing the water filter

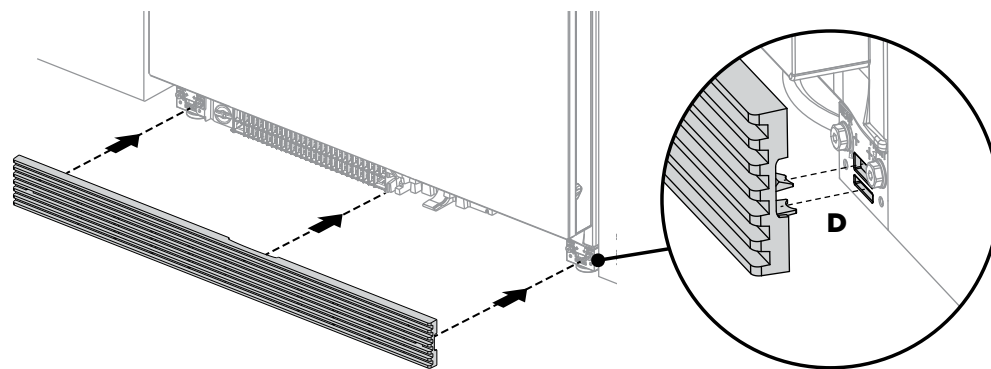
- 5 Before turning on your automatic ice maker, the water filter must be flushed to remove any impurities or trapped air in the water tank and filter system. Refer to the user guide 'Operating instructions — Automatic ice maker' for more information.

Installing the toe kick filter and grille

- 6 Remove filter from inside the product. Fit the filter onto the rails and push to the rear until it clips securely (C).



- 7 Align clips on the back of the grille with openings on front face of plinths. Push grille firmly onto refrigerator until the clips engage (D).



15 ASSEMBLE DOOR PANEL SET

The assembly of Fisher & Paykel (Stainless steel) door panels and custom door panels are outlined below. To protect the finish of the Fisher & Paykel Stainless steel door panels, leave protective film on the panels when hanging and remove film only when installation is complete.

If using custom door panels, ensure they are prepared as per 'Custom door panel installation dimensions' section.

French door panels

1 Mounting handle (A)

For Fisher & Paykel door panel sets, remove the plastic plugs from the handle holes (4x). Align the handle to the holes and secure with M5x25 pan head socket screws (4x).

For custom panels, ensure the handle is secured 2 9/16" (65mm) from the inner edge of the panel to the center. This will avoid interference with the bracket installation.

2 Hanging bracket (B)

For Fisher & Paykel door panel sets, align the bracket to the holes and secure with M5x14 mush Phillips SS screws (4x).

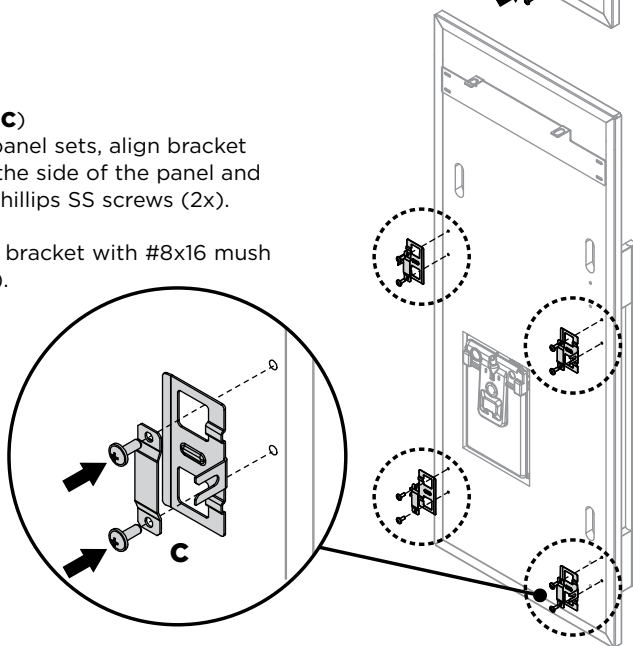
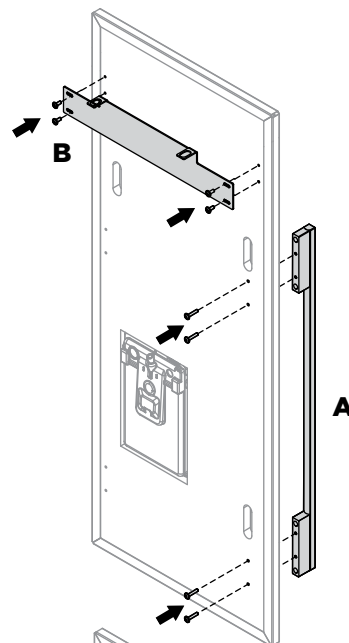
For custom panels, secure bracket with #8x16 mush washer screws (4x).

3 Side brackets and straps (C)

For Fisher & Paykel door panel sets, align bracket and strap to the holes on the side of the panel and secure with M5x14 mush Phillips SS screws (2x).

For custom panels, secure bracket with #8x16 mush washer screws (2x).

Repeat this process for all brackets and straps, and remaining French door panel.



Drawer door panel

4 Mounting handle (D)

For Fisher & Paykel door panel sets, remove the plastic plugs from the handle holes (4x). Align the handle to the holes and secure with M5x25 pan head socket screws (4x).

For custom panels, ensure handle screw heads are counter sunk into the back of the panel to avoid interference with hanging bracket.

5 Hanging bracket (E)

For Fisher & Paykel door panel sets, align the bracket to the holes and secure with M5x14 mush Phillips SS screws (6x).

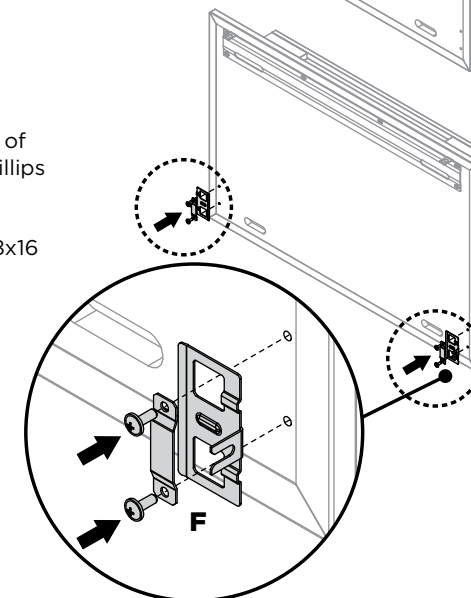
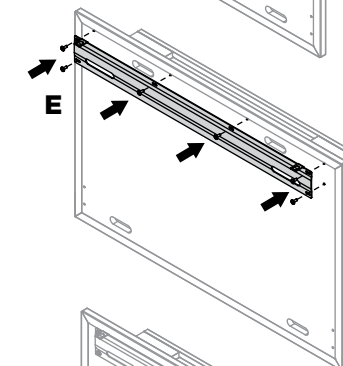
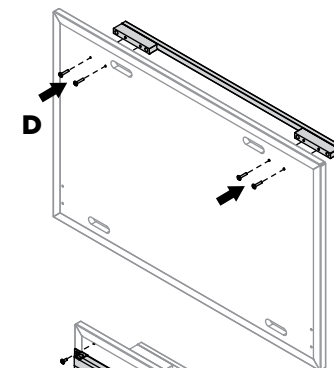
For custom panels, secure bracket with #8x16 mush washer screws (6x).

6 Side brackets and straps (F)

For Fisher & Paykel door panel sets, align bracket and strap to the holes on the side of the panel and secure with M5x14 mush Phillips SS screws (2x).

For custom panels, secure bracket with #8x16 mush washer screws (2x).

Repeat this process for all brackets and straps.

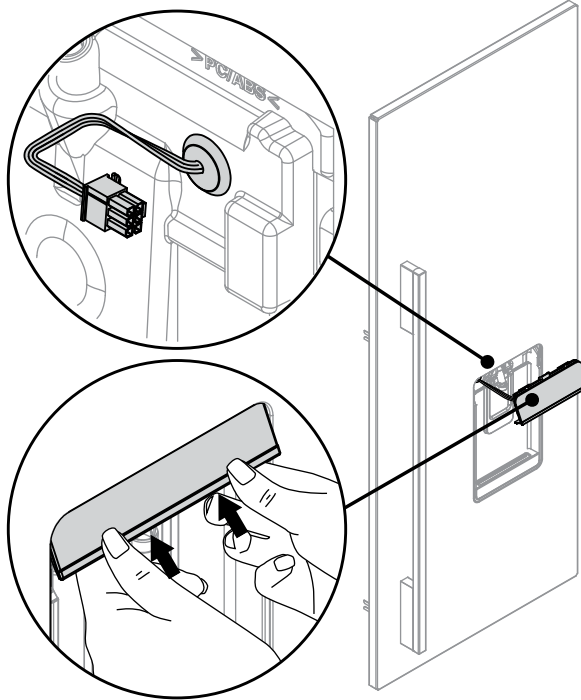


16 HANG ICE & WATER DOOR PANEL

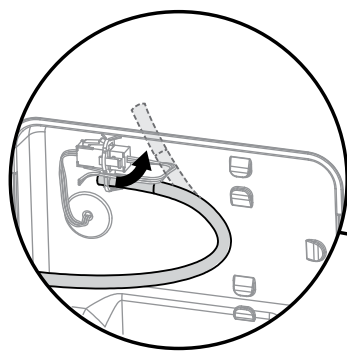
For Fisher & Paykel Stainless steel door panels only.

- 1 Remove the external display module from inside the product.

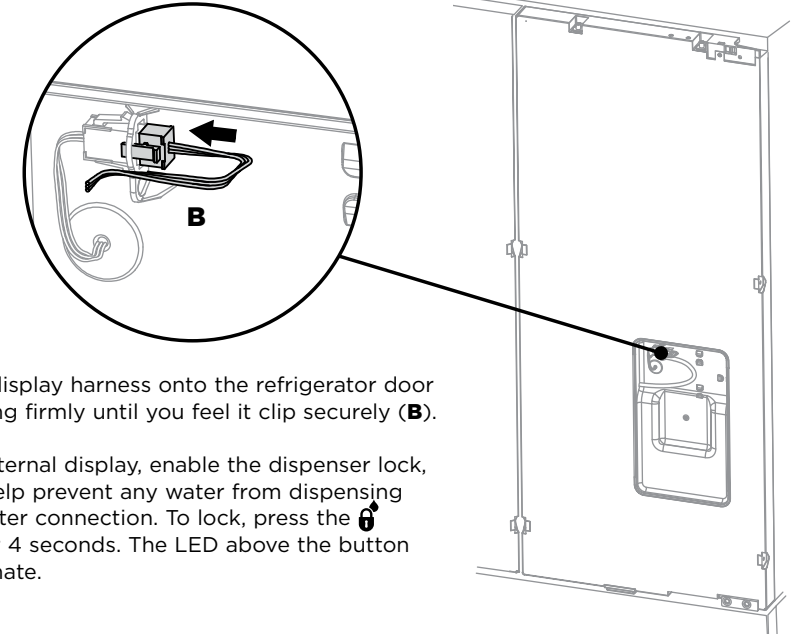
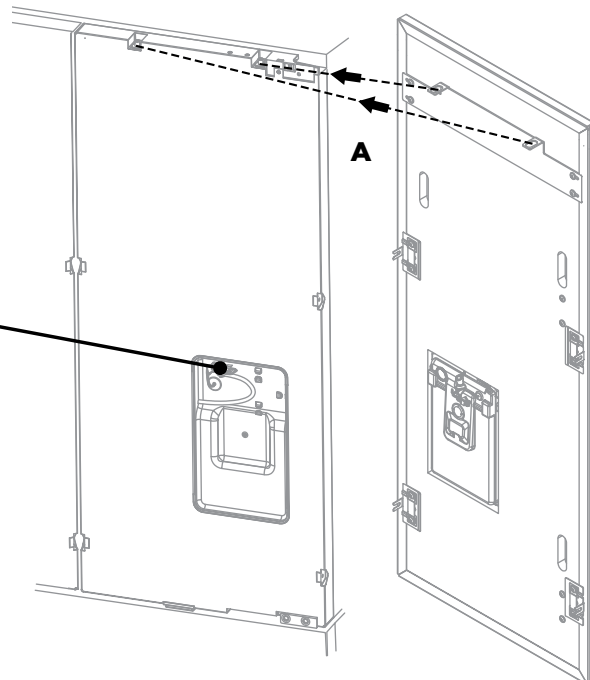
Thread the display harness through the door panel cavity. Ensure the grommet is engaged.



- 2 Angle top display tabs into the door panel. Ensure the harness is free of pinching. Firmly push against bottom display tabs and insert into the door panel until you feel it clip securely. Ensure the display is flush with the door panel.

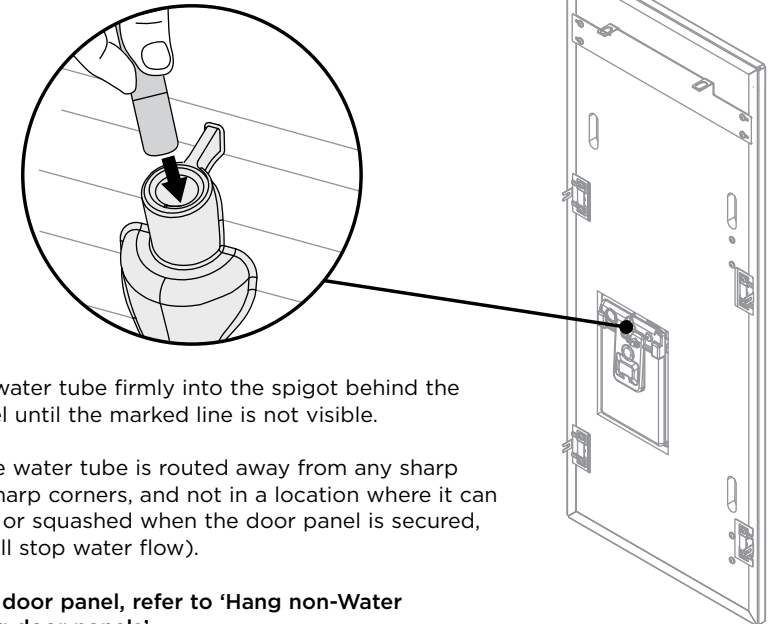


- 3 Remove water tube from holder on the refrigerator door.
- 4 Hang door panel onto M8 studs. Ensure the panel is free to pivot for water connections (A).



- 5 Connect display harness onto the refrigerator door by inserting firmly until you feel it clip securely (B).

On the external display, enable the dispenser lock, this will help prevent any water from dispensing during water connection. To lock, press the **6** button for 4 seconds. The LED above the button will illuminate.



- 6 Push the water tube firmly into the spigot behind the door panel until the marked line is not visible.

Ensure the water tube is routed away from any sharp objects, sharp corners, and not in a location where it can be kinked or squashed when the door panel is secured, (as this will stop water flow).

To secure door panel, refer to 'Hang non-Water dispensing door panels'.

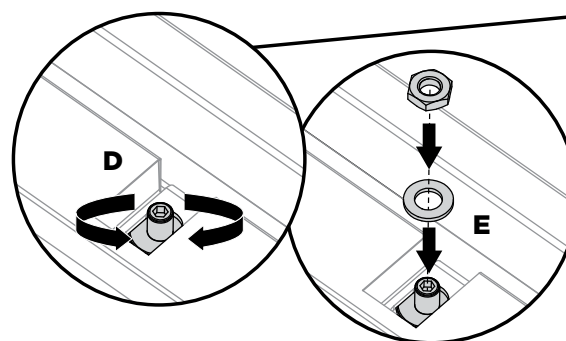
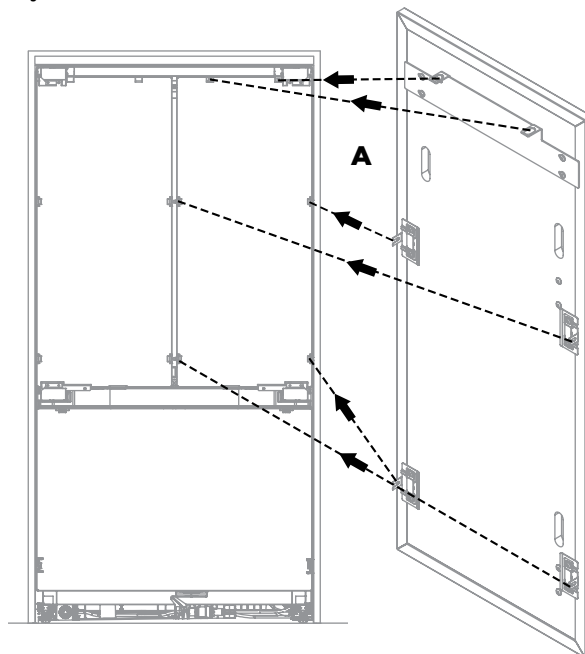
17 HANG NON-WATER DISPENSING DOOR PANELS

For Fisher & Paykel Stainless steel door panels only.

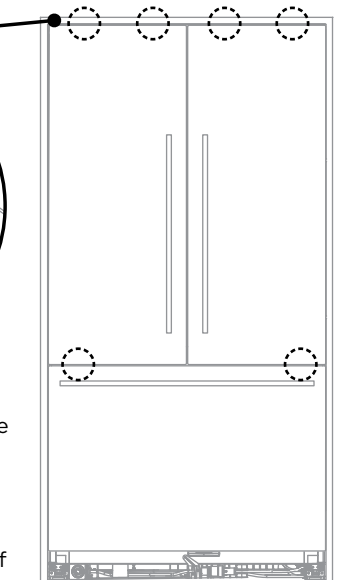
IMPORTANT!

Remove the protective film before hanging the door panels.

- ① Hang all door panels onto M8 studs and align the side bracket forks onto the refrigerator door (A).
 - Ensure the forks are positioned around the body of the side screws (M5x10 pan head Phillips screw).
- ② Push the product until the door panels are flush.
 - Depending on your installation design this will be flush with your adjacent cabinetry or your framework.
- ③ Place a ruler on the front of the product to check flushness top and bottom, left and right (B).
- ④ Ensure the gap between the top of the door panel and the top cabinetry is no greater than 1/4" (7mm).
 - To reduce this gap, raise the product by turning all four adjustment nuts the same number of turns.



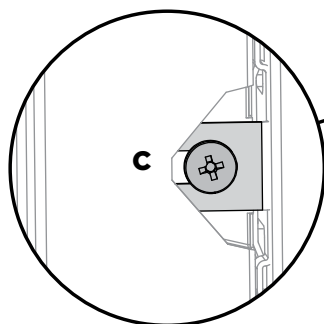
- ⑥ All door panels have full axis adjustment to ensure they are flush with adjacent walls. To adjust the height of each panel, turn the stud clockwise to raise or counter-clockwise to lower the door panel (D).
- ⑦ Once satisfied with the alignment, secure M8 studs with M8 washer and M8 nut (E). The top of the stud must remain below the top face of the door panel.



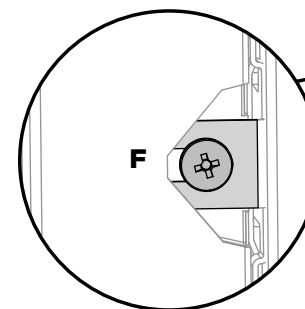
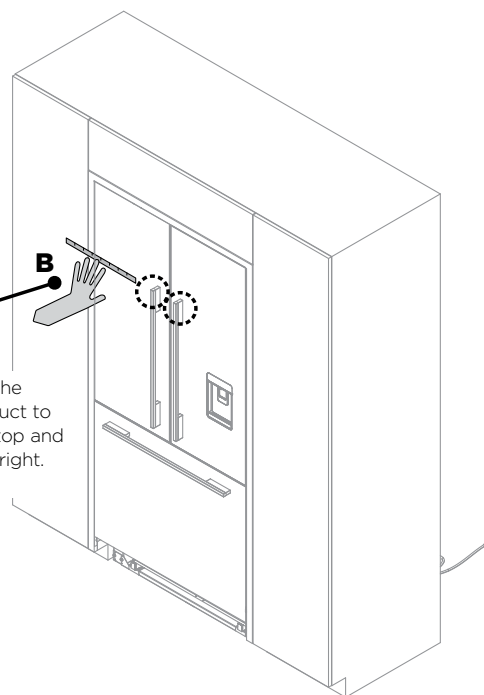
IMPORTANT!

Failure to follow these steps can lead to difficulties in door panel adjustment and cosmetic cap fitment.

- ⑤ Lock top inner panel side screws to allow opening the doors without affecting adjustment. (Open the left door to lock the right screws and vice versa (C).)



Place a ruler on the front of the product to check flushness top and bottom, left and right.

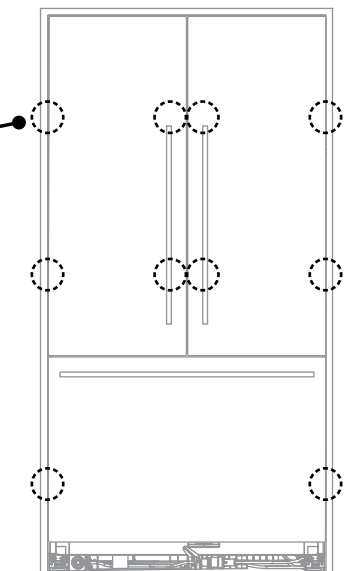


- ⑧ Secure side bracket forks by tightening side screws (F).

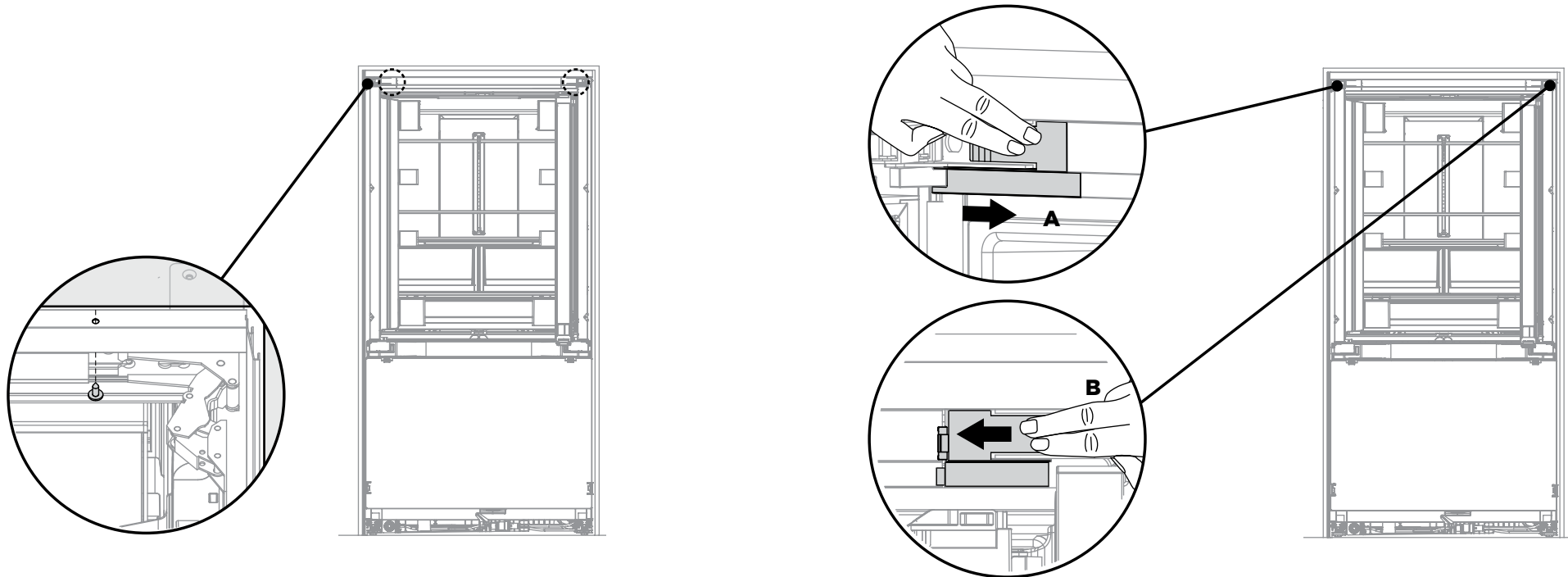
Repeat this process for all door panels.

Note:

- For depth adjustment loosen side screws x4, adjust panels and then retighten once satisfied.
- Further adjustment of door panels can be achieved by removing door panels then loosening the fixing screws for the hanging bracket and moving the bracket sideways to suit.



18 ATTACH TOP TRIM AND HINGE END CAPS



- 1 Secure the top trim to the ceiling of the enclosure with screw x1 (#8 x 16 mush washer screw).

Repeat this process on the opposite side.

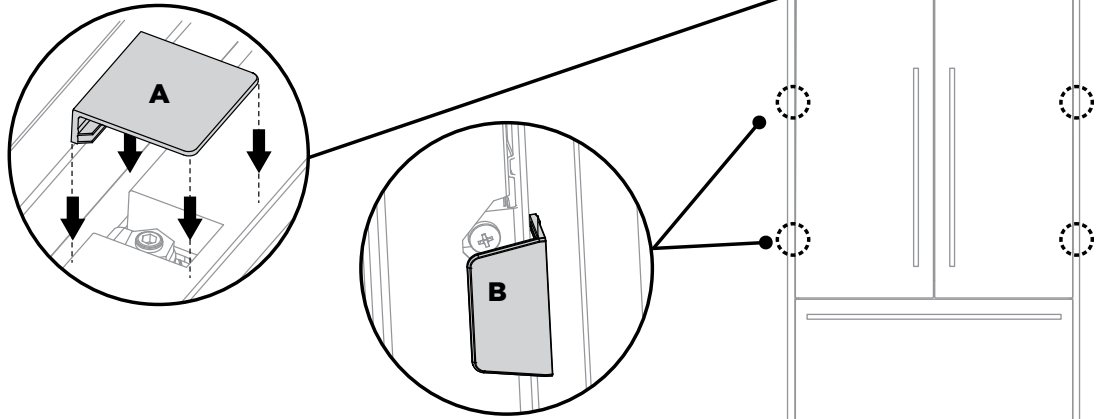
- 2 Replace the left hinge end cap. Align hinge cap to the product, press and firmly slide the cap to the right (refer to **A**).

Hold onto the corner of the end cap, firmly push up and to the left to engage securing hook. Ensure cap is flush with the product.

- 3 Replace right hinge end cap. Align hinge cap to product, press and firmly slide the cap to the left (refer to **B**). Ensure cap is flush with the product.

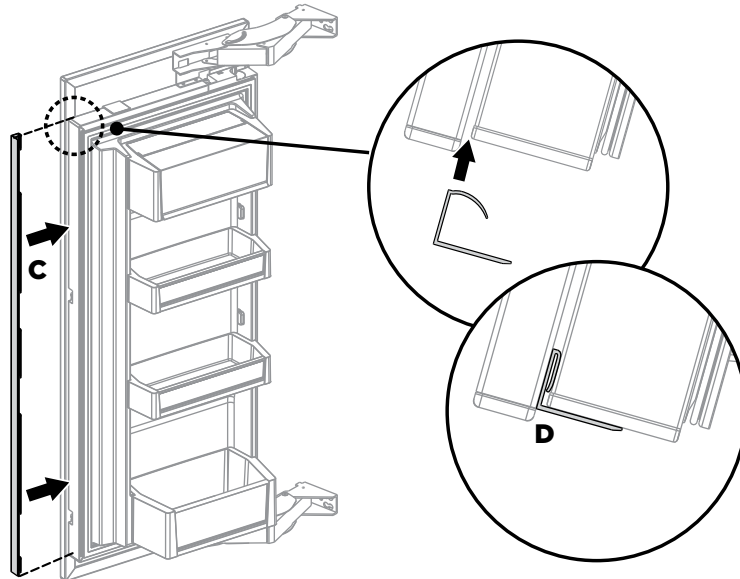
19 ATTACH COVERS AND DOOR/DRAWER TRIMS

- ① If applicable, remove any remaining protective film on your door panels.

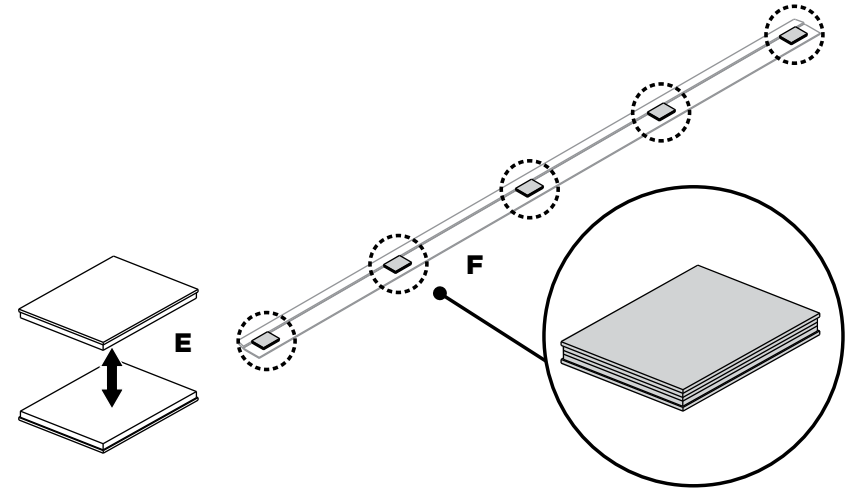


- ② Open the refrigerator French doors, firmly push top cover (A) over the top studs.

Open the refrigerator French doors, firmly push side cover (B) over the side studs.

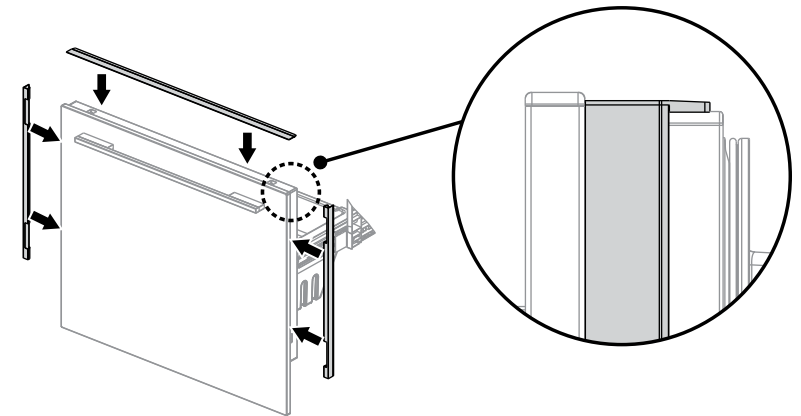


- ③ **Door side trims**
Install the side trims by inserting into the panel gaps on each side of the door(s) (C). Align the trim to the top of the door and press evenly into the panel gap until fully seated (D).



- ④ Press the dual adhesive tabs together to form pairs (E) and remove the adhesive backing on one side only.

Press firmly to install on the underside of the drawer top trim in the indicated locations (F).

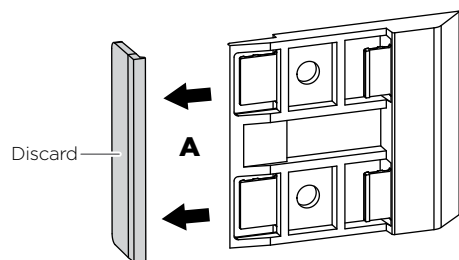


- ⑤ **Drawer side trims**
Install the side trims in the same manner (refer to step ③).
- ⑥ **Drawer top trim**
Remove the remaining adhesive backing from the dual adhesive tabs. Locate the trim against the back surface of the panel and press down firmly. Ensure the trim is fully seated against the drawer surface.

20 ATTACH CABINET SIDE TRIMS

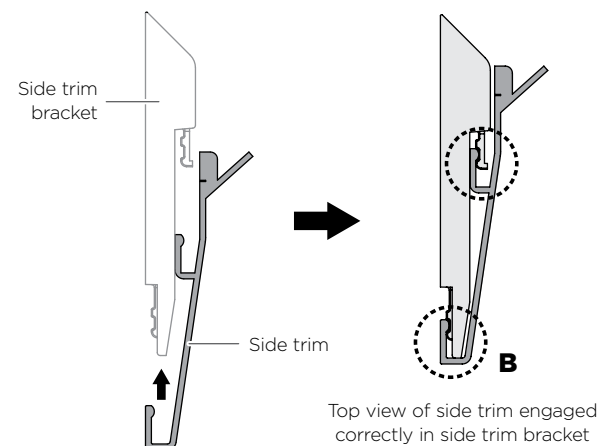
IMPORTANT!

Before installing your refrigerator, ensure the dimensions of the finished enclosure are correct for your refrigerator following the 'Product and cavity dimensions' sections.



- ① Break off the datum lip to each side trim bracket and discard (A).

Repeat for all side trim brackets.



IMPORTANT!

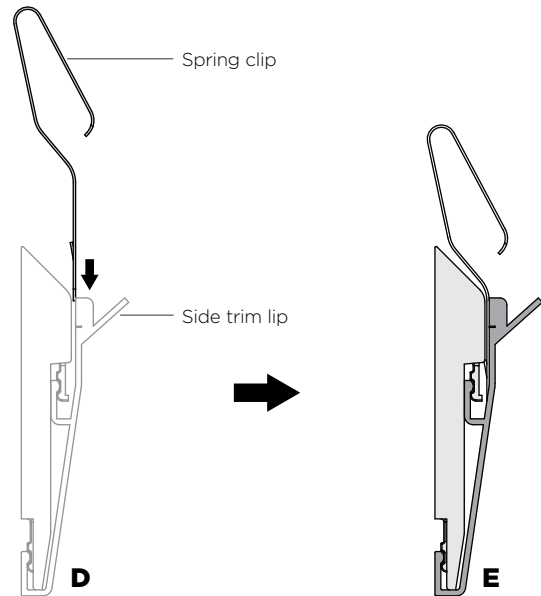
Each bracket has two engagement points for the side trim to locate. Ensure the trim is engaged in both points (B).

- ② Position 3 side trim brackets onto each side trim.

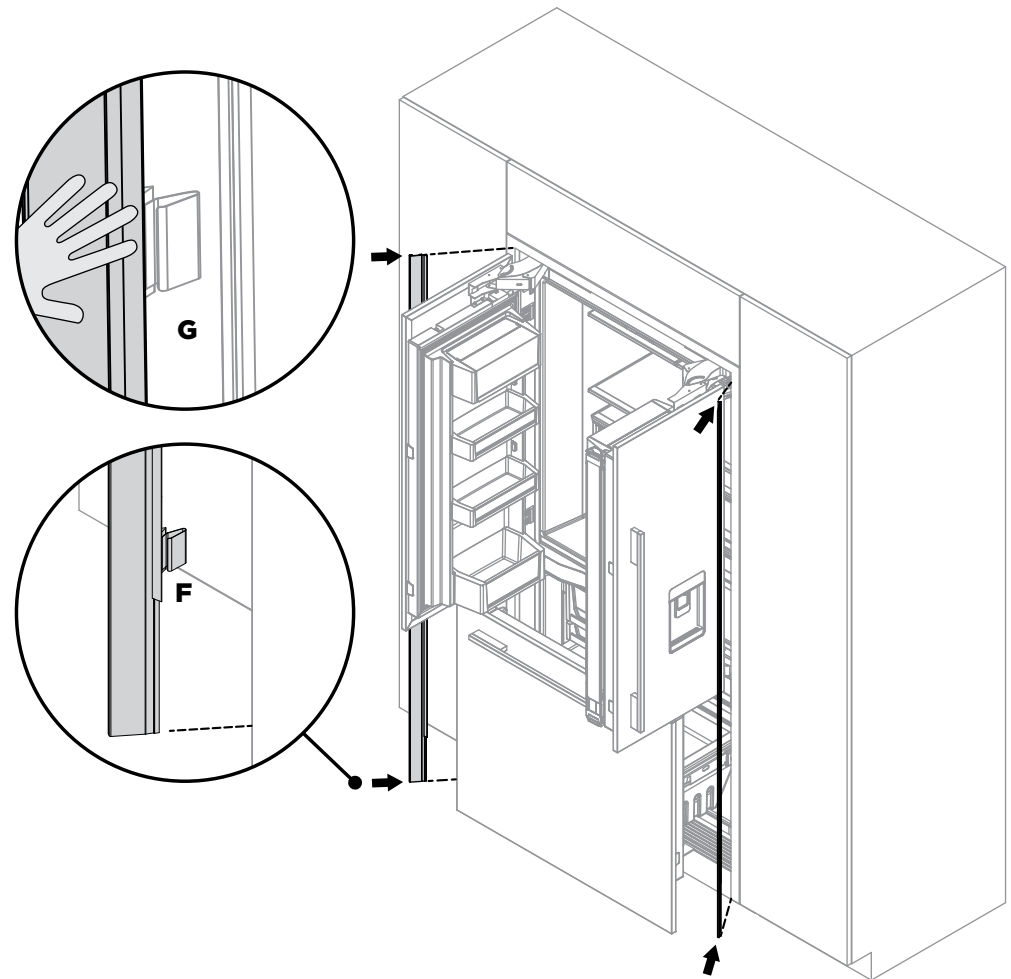
Note: Measure from the top of the trim, with the shorter lip at the bottom.

Repeat this process for the remaining side trim.





Top view of spring clip correctly inserted between side trim and side trim bracket



IMPORTANT!

Ensure spring clip is correctly oriented with the open loop facing the side trim lip.

- ③ Insert the spring clip into the gap between the side trim and side trim bracket, orientation as shown in figures (**D**) and (**E**).

Repeat this process for the remaining side trim.

IMPORTANT!

Ensure the side trim is positioned as high as it will go.

- ④ Open refrigerator doors. Place the assembled side trim with brackets and spring clips against the alcove side wall with the shorter lip facing the bottom (**F**).

Push the side trim at each bracket location until there are no visible gaps between the trim and cabinetry (**G**).

Repeat this process for the remaining side trim.

✓ **TO BE COMPLETED BY THE INSTALLER**

All models

- Check all parts are installed.
- Ensure the refrigerator is level.
- Ensure the refrigerator is securely fastened to the cabinetry with the supplied anti-tip bracket and fittings.
- Ensure the doors/drawer can open and close freely with no resistance from surrounding cabinetry.
- Ensure hinge limiting pin is fitted for 90° door swing.
- Ensure all internal and external packaging is removed from the refrigerator before use.
- Ensure a manual ice maker cycle has been forced.

Ice & Water models only

- Ensure the water filtration system has been flushed.

Complete and keep for safe reference:

Model _____

Serial No. _____

Purchase Date _____

Purchaser _____

Dealer Address _____

Installer's Name _____

Installer's Signature _____

Installation Company _____

Installation Date _____

FISHERPAYKEL.COM

© Fisher & Paykel Appliances 2018. All rights reserved.
The product specifications in this booklet apply to the specific products and models described at the date of issue. Under our policy of continuous product improvement, these specifications may change at any time. You should therefore check with your Dealer to ensure this booklet correctly describes the product currently available.

